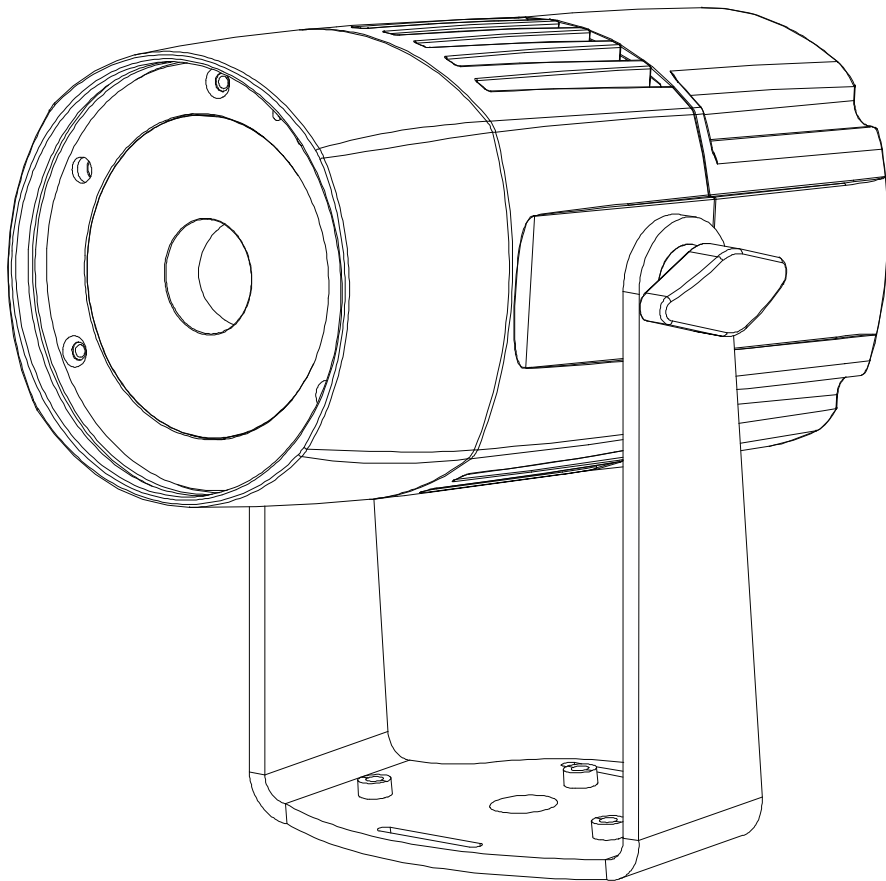




SABER SPOT GO



User Instructions

©2019 ADJ Products, LLC all rights reserved. Information, specifications, diagrams, images, and instructions herein are subject to change without notice. ADJ Products, LLC logo and identifying product names and numbers herein are trademarks of ADJ Products, LLC. Copyright protection claimed includes all forms and matters of copyrightable materials and information now allowed by statutory or judicial law or hereinafter granted. Product names used in this document may be trademarks or registered trademarks of their respective companies and are hereby acknowledged. All non-ADJ Products, LLC brands and product names are trademarks or registered trademarks of their respective companies.

ADJ Products, LLC and all affiliated companies hereby disclaim any and all liabilities for property, equipment, building, and electrical damages, injuries to any persons, and direct or indirect economic loss associated with the use or reliance of any information contained within this document, and/or as a result of the improper, unsafe, insufficient and negligent assembly, installation, rigging, and operation of this product.

FCC STATEMENT

This device complies with Part 15 of the FCC Rules. Operation is subject to the following two conditions: (1) this device may not cause harmful interference, and (2) this device must accept any interference received, including interference that may cause undesired operation.

FCC RADIO FREQUENCY INTERFERENCE WARNINGS & INSTRUCTIONS

This product has been tested and found to comply with the limits as per Part 15 of the FCC Rules. These limits are designed to provide reasonable protection against harmful interference in a residential installation. This device uses and can radiate radio frequency energy and, if not installed and used in accordance with the included instructions, may cause harmful interference to radio communications. However, there is no guarantee that interference will not occur in a particular installation. If this device does cause harmful interference to radio or television reception, which can be determined by turning the device off and on, the user is encouraged to try to correct the interference by one or more of the following methods:

- Reorient or relocate the device.
- Increase the separation between the device and the receiver.
- Connect the device to an electrical outlet on a circuit different from which the radio receiver is connected.
- Consult the dealer or an experienced radio/TV technician for help.

DOCUMENT VERSION

Please check www.adj.com for the latest revision/update of this guide.

Date	Document Version	Software Version \geq	DMX Channel Modes	Notes
02/15/19	1	1.01	12 Modes Total	Initial Release

Europe Energy Saving Notice

Energy Saving Matters (EuP 2009/125/EC)

Saving electric energy is a key to help protecting the environment. Please turn off all electrical products when they are not in use. To avoid power consumption in idle mode, disconnect all electrical equipment from power when not in use. Thank you!

Introduction	3
Features Warranty Registration	4
Safety Guidelines	5
Battery Precautions	6
Installation Safety Strap	8
Overview	9
DMX Addressing	10
DMX Modes	11
Color Macro Chart	13
System Menu	15
Operating Instructions	16
WiFly Set Up WiFly Master-Slave Runtime Mode	19
ADJ UC IR/Airstream IR Control	20
Dimmer Curve Chart	21
Dimensional Drawings	22
Frost Filter Installation Trouble Shooting Cleaning	23
Limited Warranty (USA Only)	24
Specifications	25

Unpacking: Thank you for purchasing the Saber Spot GO by ADJ Products, LLC. Every Saber Spot GO has been thoroughly tested and has been shipped in perfect operating condition. Carefully check the shipping carton for damage that may have occurred during shipping. If the carton appears to be damaged, carefully inspect your fixture for any damage and be sure all accessories necessary to operate the unit has arrived intact. In the case damage has been found or parts are missing, please contact our toll free customer support number for further instructions. Do not return this unit to your dealer without first contacting customer support.

Introduction: The ADJ Saber Spot GO is a DMX intelligent, battery powered, compact pinspot with ADJ's WiFly Transceiver with wireless DMX built-in. WiFly control and battery power give you the freedom to set up your unit where ever you wish without the restrictions of a power cord or DMX cables. The Saber Spot GO can operate as a stand alone fixture or in a Master/Slave set up. The Saber Spot GO has three operating modes; dimmer mode, show mode, & DMX controlled. This fixture is suitable for theaters, studios, retail stores, and other similar locations. *For best results use fog or special effects smoke to enhance the beams projections.*

These instructions contain important safety information regarding the use and maintenance of this system. Please keep this manual with the system, for future reference.

Customer Support: Contact ADJ Service for any product related service and support needs. Also visit forums.adj.com with questions, comments or suggestions.

Parts: To purchase parts online visit <http://parts.adj.com>

ADJ SERVICE USA - Monday - Friday 8:00am to 4:30pm PST

Voice: 800-322-6337 | Fax: 323-832-2941 | support@adj.com

ADJ SERVICE EUROPE - Monday - Friday 08:30 to 17:00 CET

Voice: +31 45 546 85 60 | Fax: +31 45 546 85 96 | support@adj.eu

ADJ PRODUCTS LLC USA

6122 S. Eastern Ave. Los Angeles, CA. 90040

323-582-2650 | Fax 323-532-2941 | www.adj.com | info@adj.com

ADJ SUPPLY Europe B.V

Junostraat 2 6468 EW Kerkrade, The Netherlands

+31 (0)45 546 85 00 | Fax +31 45 546 85 99

www.adj.eu | info@americandj.eu

ADJ PRODUCTS GROUP Mexico

AV Santa Ana 30 Parque Industrial Lerma, Lerma, Mexico 52000

+52 (728) 282-7070

WARNING! To prevent/reduce the risk of electrical shock or fire, do not expose this unit to rain or moisture.

CAUTION! There are no user serviceable parts inside this unit. Do not attempt any repairs yourself, doing so will void your manufactures warranty. In the unlikely event your unit may require service please contact ADJ Products, LLC.

PLEASE recycle the shipping carton when ever possible.

Saber Spot GO

Features / Included

- Three Operating Modes
- Electronic Dimming 0-100%
- 5 Selectable Dimming Curves
- Wireless DMX-512 Protocol
- 64 Color Macros
- 12 DMX Channel Modes: 3/4/4/5/6/6/7/8/8/9/11/12
- Rechargeable Lithium Battery
- Built-In ADJ's WiFly Transceiver Wireless DMX
- ADJ UC IR compatible (Not Included) and Airstream IR compatible (Transmitter Not Included)

Included:

- Charging Power Supply
- 10 Degree & 45 Degree Frost Filters
- Lens Retainer Ring
- 2 x Velcro Safety Strap

Saber Spot GO

Warranty Registration

The Saber Spot GO carries a 2 year (730 Days) limited warranty. Please fill out the enclosed warranty card to validate your purchase. All returned service items whether under warranty or not, must be freight pre-paid and accompany a return authorization (R.A.) number. The R.A. number must be clearly written on the outside of the return package. A brief description of the problem as well as the R.A. number must also be written down on a piece of paper included in the shipping carton. If the unit is under warranty, you must provide a copy of your proof of purchase invoice. You may obtain a R.A. number by contacting our customer support team on our customer support number. All packages returned to the service department not displaying a R.A. number on the outside of the package will be returned to the shipper.

For Your Own Personal Safety, Please Read and Understand This Manual Completely Before You Attempt To Install Or Operate This Unit!

- To reduce the risk of electrical shock or fire, do not expose this unit rain or moisture
- Do not spill water or other liquids into or on to your unit.
- Be sure that the local power outlet match that of the required voltage for your unit.
- Do not attempt to operate this unit if the power cord has been frayed or broken.
- Do not attempt to remove or break off the ground prong from the electrical cord. This prong is used to reduce the risk of electrical shock and fire in case of an internal short.
- Disconnect from main power before making any type of connection.
- Do not remove the cover under any conditions. There are no user serviceable parts inside.
- Never operate this unit when it's cover is removed.
- Always be sure to mount this unit in an area that will allow proper ventilation. Allow about 6" (15cm) between this device and a wall.
- Do not attempt to operate this unit, if it becomes damaged.
- This unit is intended for indoor use only, use of this product outdoors voids all warranties.
- Always mount this unit in safe and stable matter.
- Power-supply cords should be routed so that they are not likely to be walked on or pinched by items placed upon or against them, paying particular attention to cords at plugs, convenience receptacles, and the point where they exit from the appliance.
- Cleaning -The fixture should be cleaned only as recommended by the manufacturer. See page 23 for cleaning details.
- Heat -This fixture should be situated away from heat sources such as radiators, heat registers, stoves, or other appliances (including amplifiers) that produce heat.
- The fixture should be serviced by qualified service personnel when:
 - A. Objects have fallen, or liquid has been spilled into the appliance.
 - B. The appliance has been exposed to rain or water.
 - C. The appliance does not appear to operate normally or exhibits a marked change in performance.

HANDLING OF BATTERIES***DO NOT SHORT CIRCUIT THE BATTERY***

Try to never short circuit the battery. It generates a very high current which could cause the battery to overheat which may result in electrolyte gel leakage, harmful fumes, or explosion. The LIR tabs may easily short-circuit by placing them on conductive surface. A short circuit may lead to heat build up and damage of the battery. An appropriate circuitry with PCM is employed to protect accidental short circuit of the battery pack.

MECHANICAL SHOCK

Dropping the unit, impact hit, bending, etc. may cause failure or shortend life of the LIR battery.

BATTERY CONNECTION

- Direct soldering of wire leads or devices to the battery is strictly prohibited.
- Lead tabs with pre-soldered wiring shall be spot welded to the batteries. Direct soldering may cause damage of components, such as separator and insulator, by heat build up.

PREVENTION OF SHORT CIRCUIT WITHIN A BATTERY PACK

There is enough insulation layers between wiring and the batteries to provide extra safety protection. The battery pack is constructed in a way that no short circuit will occur which may cause smoke or fire.

DO NO DISASSEMBLE THE BATTERIES***NEVER DISASSEMBLE THE BATTERIES.***

Doing this may cause a internal short circuit in the battery, which may lead to harmful fumes, fire, explosion, or other problems.

ELECTROLYTE GEL IS HARMFUL

Electrolyte Gel should not leak from the LIR battery. Should the electrolyte gel come into contact with the skin or eyes, flush the area of contact immediately with fresh water and seek medical attention immediately.

DO NOT EXPOSE THE BATTERY TO HEAT OR FIRE

Never incinerate or dispose of the batteries in fire. This may cause an explosion, which would be very dangerous.

DO NOT EXPOSE THE BATTERY TO WATER OR LIQUIDS

Never soak/drop the batteries in liquids such as water, seawater, drinks such as soft drinks, juices, coffee or other.

BATTERY REPLACEMENT

For battery replacement please contact ADJ Customer Support.

DO NOT USE A DAMAGED BATTERY

The battery could be damaged during shipping, caused by shock. Should the battery be found damaged, including damages to the plastic casing of the battery, deformation of the battery package, smelling of an electrolyte, or leakage of the electrolyte gel, or other, DO NOT use the battery. A battery with a odor of electrolyte or a gel leakage should be placed away from fire to avoid fire or explosion.

BATTERY STORAGE

When storing the battery, it should be stored at room temperature, with a charge of at least 50%. We recommend that during long periods of storage that the battery be charged every 6 months. Doing this will prolong the life of the battery and will also make sure that the battery charge does not fall below the 30% mark.

OTHER CHEMICAL REACTION

Because batteries utilize a chemical reaction, battery performance will deteriorate over time even if stored for a long period of time without being used. In addition, if the various usage conditions such as charge, discharge, ambient temperature, etc. are not maintained within the specified ranges, the life expectancy of the battery maybe shortened or the device in which the battery is used may be damaged by electrolyte gel leakage. If the batteries cannot maintain a charge for long periods of time, even when they are charged correctly, this may indicate it is time to change the battery.

BATTERY DISPOSAL

Please dispose of battery according to local regulations.

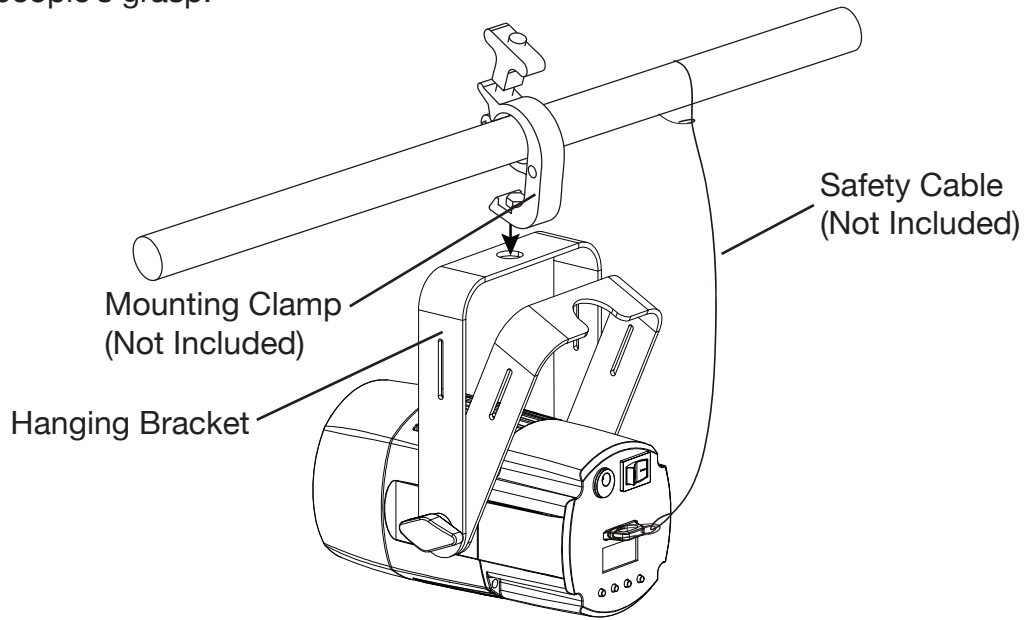
Battery Status:

This function is used to check the life status of the battery.

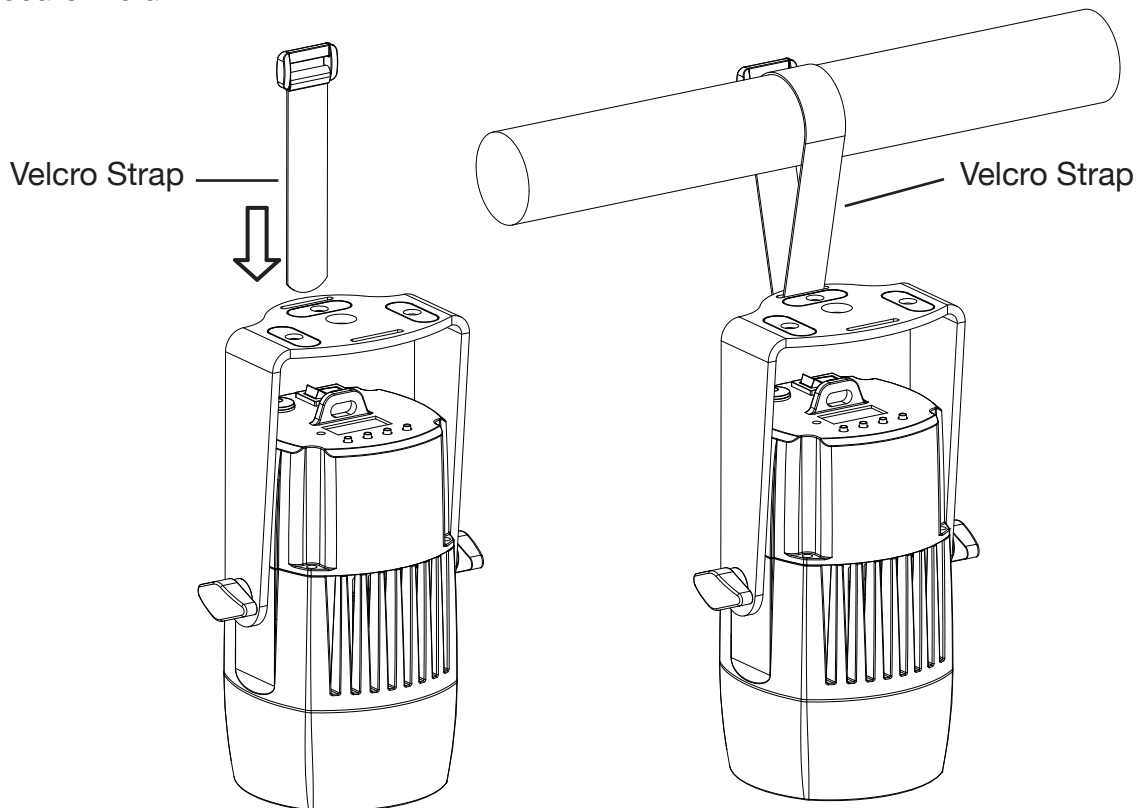
Apply power to the fixture and press the MODE button until “**Fixture Power**” and “**XXX%**” is displayed. “**XXX%**” represents the current battery life.

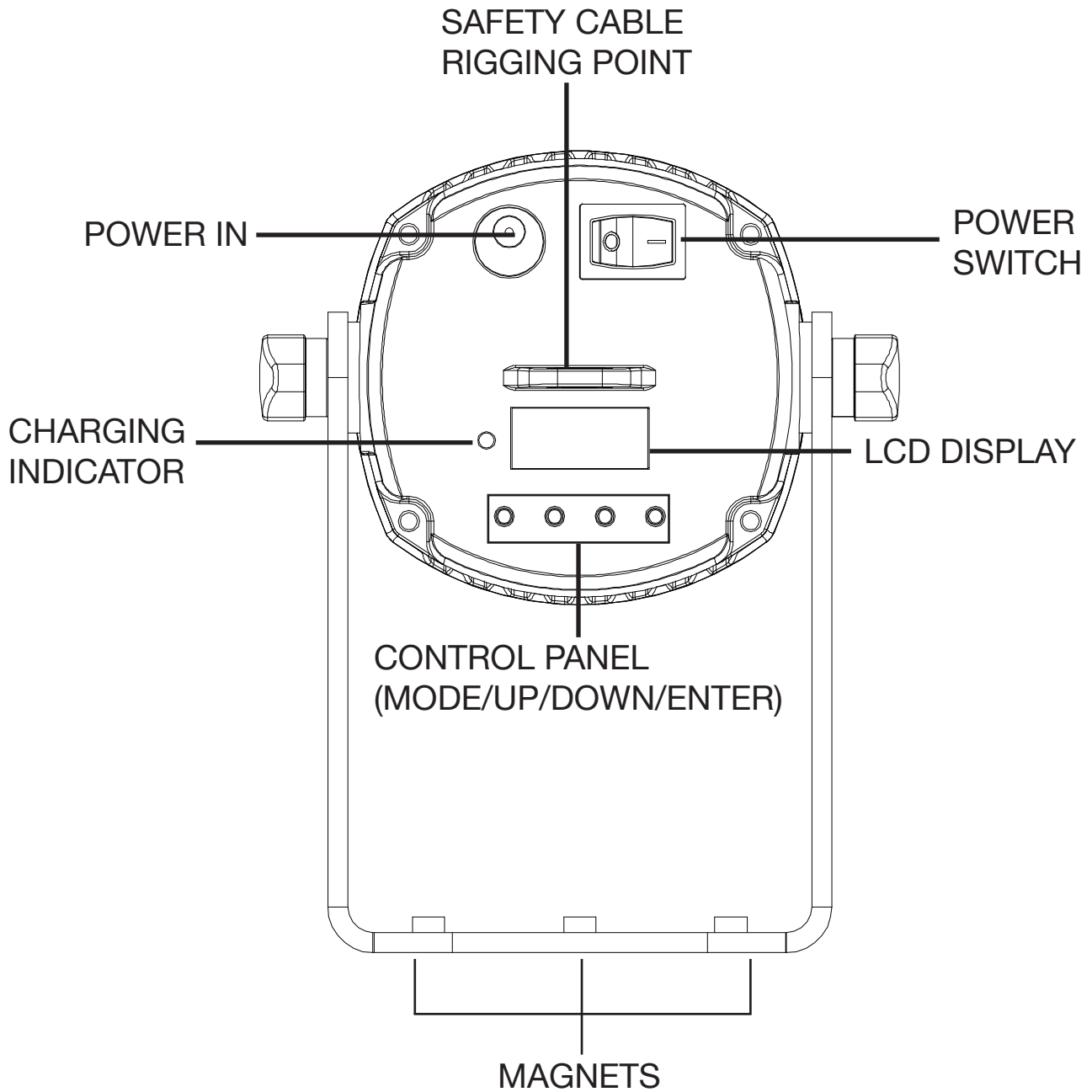
Battery Recharge: To recharge the battery, plug the supplied power supply into the power input on the rear of the unit and plug the other end into a matching power supply. When the unit is charging the charging indicator will glow red. When the unit reaches full charge the charging indicator will glow green. It takes about 4 hours to reach full charge.

Fixtures should be mounted using a mounting clamp (not included), affixing it to the mounting bracket that is provided with the unit. Always ensure that the fixture is firmly fixed to avoid vibration and slipping while operating. Always ensure that the structure to which you are attaching the unit is secure and is able to support a weight of 10 times the unit's weight. Also, always use a safety cable (not included) that can hold 12 times the weight of the unit when installing the fixture. The equipment must be installed by a professional, and it must be installed in a place where it is out of the reach of people's grasp.



NOTE: This unit comes with 2 velcro safety straps. It is highly suggested that both straps are used to properly secure the unit.





All fixtures should be given a DMX starting address when using a DMX controller, so the correct fixture responds to the correct control signal. This digital starting address is the channel number from which the fixture starts to “listen” to the digital control signal sent out from the DMX controller. The assignment of this starting DMX address is achieved by setting the correct DMX address on the digital control display on the fixture.

You can set the same starting address for all fixtures or a group of fixtures, or set different addresses for each individual fixture. Setting all fixtures to the same DMX address will cause all fixtures to react in the same way, in other words, changing the settings of one channel will affect all the fixtures simultaneously.

If you set each fixture to a different DMX address, each unit will start to “listen” to the channel number you have set, based on the quantity of DMX channels of each fixture. That means changing the settings of one channel will only affect the selected fixture.

In the case of the Saber Spot GO, when in 4 Channel you should set the starting DMX address of the first unit to 1, the second unit to 5 (4 + 1), the third unit to 9 (5 + 4), and so on. (See chart below for more details.)

Channel Mode	Unit 1 Address	Unit 2 Address	Unit 3 Address	Unit 4 Address
3 Channels	1	4	7	10
4 Channels	1	5	9	13
4 Channels	1	5	9	13
5 Channels	1	6	11	16
6 Channels	1	7	13	19
6 Channels	1	7	13	19
7 Channels	1	8	15	22
8 Channels	1	9	17	25
8 Channels	1	9	17	25
9 Channels	1	10	19	28
11 Channels	1	12	23	34
12 Channels	1	13	25	37

3 CH	4 CH	4 CH	5 CH	6 CH	6 CH	7 CH	8 CH	8 CH	9 CH	11 CH	12 CH	VALUES	FUNCTIONS
HSI	RGBW	HSI+	RGBW	sRGBWI	RGBW	RGBW	RGBW	16Bit	HSI	sRGBWI	RGBW		
	1		1	2	1	1	1	1		2	1	000-255	RED 0-100%
								2				000-255	RED FINE 0-100%
	2		2	3	2	2	2	3		3	2	000-255	GREEN 0-100%
								4				000-255	GREEN FINE 0-100%
	3		3	4	3	3	3	5		4	3	000-255	BLUE 0-100%
								6				000-255	BLUE FINE 0-100%
	4		4	5	4	4	4	7		5	4	000-255	WHITE 0-100%
								8				000-255	WHITE FINE 0-100%
												000-031 032-063 064-095 096-127 128-159 160-191 192-223 224-255	SHUTTER & STROBING LED OFF LED ON STROBING SLOW-FAST LED ON PULSE STROBING SLOW-FAST LED ON RANDOM STROBING SLOW-FAST LED ON
1		1							2			000-255	HUE 0-100%
2		2							3			000-255	SATURATION 0-100%
			5		5	6	6				7	000-255	MASTER DIMMER 0-100%
					6	7	7				8	000-255	DIMMER FINE 0-100%
3		3		6					4	6		000-255	INTENSITY 0-100%
									5	7	5	000-255	COLOR MACROS PLEASE SEE THE COLOR MACRO CHART ON PAGES 13-14

3 CH	4 CH	4 CH	5 CH	6 CH	6 CH	7 CH	8 CH	8 CH	9 CH	11 CH	12 CH	VALUES	FUNCTIONS
HSI	RGBW	HSI+	RGBW	sRGBWI	RGBW	RGBW	RGBW	16Bit	HSI	sRGBWI	RGBW		
									6	8	9	000 001-020 021-040 041-060 061-080 081-100 101-120 121-140 141-160 161-180 181-200 201-220 221-240 241-250 251-255	AUTO PROGRAMS OFF AUTO PROGRAM 1 AUTO PROGRAM 2 AUTO PROGRAM 3 AUTO PROGRAM 4 AUTO PROGRAM 5 AUTO PROGRAM 6 AUTO PROGRAM 7 AUTO PROGRAM 8 AUTO PROGRAM 9 AUTO PROGRAM 10 AUTO PROGRAM 11 AUTO PROGRAM 12 AUTO PROGRAM 13 GRADIENT EFFECT
									7	9	10	000-255	AUTO PROGRAM SPEED SLOW-FAST
									8	10	11	000-255	AUTO PROGRAM FADE SPEED FAST-SLOW
		4				8			9	11	12	000-020 021-040 041-060 061-080 081-100 101-255	DIMMER CURVES STANDARD STAGE TV ARCHITECTURAL THEATRE DEFAULT TO UNIT SETTING

Color No.	DMX VAULE	RGBW COLOR INTENSITY			
		RED	GREEN	BLUE	WHITE
OFF	0	0	0	0	0
Color1	1-4	80	255	234	80
Color2	5-8	80	255	164	80
Color3	9-12	77	255	112	77
Color4	13-16	117	255	83	83
Color5	17-20	160	255	77	77
Color6	21-24	223	255	83	83
Color7	25-28	255	243	77	77
Color8	29-32	255	200	74	74
Color9	33-36	255	166	77	77
Color10	37-40	255	125	74	74
Color11	41-44	255	97	77	74
Color12	45-48	255	71	77	71
Color13	49-52	255	83	134	83
Color14	53-56	255	93	182	93
Color15	57-60	255	96	236	96
Color16	61-64	238	93	255	93
Color17	65-68	196	87	255	87
Color18	69-72	150	90	255	90
Color19	73-76	100	77	255	77
Color20	77-80	77	100	255	77
Color21	81-84	67	148	255	67
Color22	85-88	77	195	255	77
Color23	89-92	77	234	255	77
Color24	93-96	158	255	144	144
Color25	97-100	255	251	153	153
Color26	101-104	255	175	147	147
Color27	105-108	255	138	186	138
Color28	109-112	255	147	251	147
Color29	113-116	151	138	255	138
Color30	117-120	99	0	255	100
Color31	121-124	138	169	255	138
Color32	125-128	255	255	255	255

Color No.	DMX VAULE	RGBW COLOR INTENSITY			
		RED	GREEN	BLUE	WHITE
Color33	129-132	255	206	143	0
Color34	133-136	254	177	153	0
Color35	137-140	254	192	138	0
Color36	141-144	254	165	98	0
Color37	145-148	254	121	0	0
Color38	149-152	176	17	0	0
Color39	153-156	96	0	11	0
Color40	157-160	234	139	171	0
Color41	161-164	224	5	97	0
Color42	165-168	175	77	173	0
Color43	169-172	119	130	199	0
Color44	173-176	147	164	212	0
Color45	177-180	88	2	163	0
Color46	181-184	0	38	86	0
Color47	185-188	0	142	208	0
Color48	189-192	52	148	209	0
Color49	193-196	1	134	201	0
Color50	197-200	0	145	212	0
Color51	201-204	0	121	192	0
Color52	205-208	0	129	184	0
Color53	209-212	0	83	115	0
Color54	213-216	0	97	166	0
Color55	217-220	1	100	167	0
Color56	221-224	0	40	86	0
Color57	225-228	209	219	182	0
Color58	229-232	42	165	85	0
Color59	233-236	0	46	35	0
Color60	237-240	8	107	222	0
Color61	241-244	255	0	0	0
Color62	245-248	0	255	0	0
Color63	249-252	0	0	255	0
Color64	253-255	0	0	0	255

Software Update Please Wait.... ADJ SOFTWARE V1.01	
MENU	FUNCTION
DMX MODE ADDR: 001	001-510
CHANNEL	3/4/4/5/6/6/7/8/8/9/11/12CH
Slave	Slave Setting
LOOK	Store: 01-13
Reset ?	Restore Factory Defaults
Manual	Manual Dimmer R000-255 / G000-255 / B000-255 / W000-255 / Strobe: S000-255
DimCurve	5 Dimmer Curves Standard/Stage/TV/Architec/Theatre
NO DMX	Blackout/Hold/LOOK
White BL	White Balance R255 / G255 / B255 / W255
TempUnit	Temp. Unit C/F
Temp Val	Temperature Value: XXX F
AUTOLOCK	AUTOLOCK OFF/ON
IR Active	IR Active OFF/ON
FlipDisplay	Flip Disply OFF/ON
WiFly Channel	CH: 00-14
Fixture Power	XXX%
Runtime Mode	2/4/6/8

When making adjustments press ENTER to confirm your setup. To exit without making any adjustments press the MODE button. The display will lock after 1 minute. Press the MODE button for 7 seconds to unlock.

DMX MODE - DMX Address Setting.

1. Press either the MODE, UP, or DOWN buttons until “**DMX MODE**” is displayed, press ENTER.
2. The current address will now be displayed and flashing. Press the UP or DOWN buttons to find your desired address. Press the ENTER button to set your desired DMX address.

CHANNEL - This will let you select your desired DMX channel mode.

1. Press either the MODE, UP, or DOWN buttons until “**CHANNEL**” is displayed, press ENTER. The current DMX channel mode will be displayed.
2. Press the UP or DOWN buttons to find your desired DMX channel mode and press the ENTER button to confirm your setting.

SLAVE - This will let you set the unit as the slave unit in a master/slave configuration.

1. Press either the MODE, UP, or DOWN buttons until “**Slave**” is displayed.

LOOK - In this mode you are able to run 1 of 13 built-in programs.

1. Press either the MODE, UP, or DOWN buttons until “**LOOK**” is displayed, and press ENTER.
2. Use the UP or DOWN buttons to find your desired program and press the ENTER button to confirm your selection.

RESET - This function will return the unit to its default settings.

1. Press either the MODE, UP, or DOWN buttons until “**Reset?**” is displayed and press ENTER.
2. The display will show either “**NO**” or “**YES**”. Press the UP or DOWN buttons so that “**YES**” is displayed. Press ENTER and the unit will reset back to default settings.

MANUAL - This function will allow you to manually adjust the RGBW output intensity and strobe rate.

1. Press either the MODE, UP, or DOWN buttons until “**Manual**” is displayed, and press ENTER.
2. Use the UP or DOWN buttons scroll to the strobe setting and press ENTER. Use the UP or DOWN buttons to set the strobe setting to value “255”, and press ENTER.

Note: The strobe settings follow the strobe values under DMX control mode.

3. Press the UP or DOWN buttons to find the color you would like to adjust, and press ENTER. Use the UP or DOWN buttons to make adjustments and press ENTER when finished.
4. Press the UP or DOWN buttons to continue to adjust the colors. To activate strobing, return to the strobe setting and follow the values listed under “Shutter & Strobing” in DMX control on page 10.

DimCurve - This will let select your desired dimmer curve.

1. Press either the MODE, UP, or DOWN buttons until “**DimCurve**” is displayed, and press ENTER. 1 of 5 dimmer curves will be displayed. “**Standard**”, “**Stage**”, “**TV**”, “**Architec**” (Architectural), or “**Theatre**”. See the dimmer curve chart on page 21 for more info.
2. Press the UP or DOWN buttons to find your desired dimmer curve and press the ENTER button to confirm your selection.

NO DMX - This mode can be used as a precaution mode, that in case the DMX signal is lost, interrupted, or power is lost, the operating mode chosen in the setup is the running mode the fixture will go into when the DMX signal is lost. You can also set this as the operating mode you would like the unit to return to when power is applied.

1. Press either the MODE, UP, or DOWN buttons until “**NO DMX**” is displayed and press the ENTER button. Either “**Look**”, “**Blackout**”, or “**Hold**” will be displayed.
2. Use the UP or DOWN buttons to choose an operating mode you would like the unit to start up in when power is applied or the DMX signal is lost.
 - **Look** - If the DMX signal is lost or power is applied, the unit will automatically run a built-in show.
 - **Blackout** - If the DMX signal is lost or interrupted, the unit will automatically go into stand by mode.
 - **Hold** - If the DMX signal is lost the fixture will stay in the last DMX setting. If power is applied and this mode is set, the unit will automatically go into the last DMX set up.
3. Press the ENTER button to confirm your desired set up.

White Balance - With this function you can adjust the RGBW colors to balance the white output color.

1. Press either the MODE, UP, or DOWN buttons until “**White BL**” is displayed, and press ENTER.
2. Use the UP or DOWN buttons to scroll through the RGBW colors. Press the ENTER button to select the color you wish to adjust.
3. Use the UP or DOWN buttons to adjust the color intensity. Press the ENTER button to set your adjustment.

Unit Temperature - With this function you can switch the temperature display to show either Celsius or Fahrenheit temperature.

1. Press either the MODE, UP, or DOWN buttons until “**TempUnit**” is displayed, and press ENTER.
2. Use the UP or DOWN buttons to switch between Celsius or Fahrenheit. Press the ENTER button to confirm your desired setting.

Temp Val - With this function you can check the temperature of the fixture.

1. Press either the MODE, UP, or DOWN buttons until “**Temp Val**” is displayed, and press ENTER.
2. The fixture temperature will now be displayed. Press the MODE button to exit.

Autolock - This function will lock the control panel after a minute of no use. Press the **MODE** button for at least 7 seconds to unlock.

1. Press either the **MODE**, **UP**, or **DOWN** buttons until “**AUTOLOCK**” is displayed, press **ENTER**.
2. The display will show either “**ON**” or “**OFF**”. Press the **UP** or **DOWN** buttons to select “**ON**” to have the keys lock after 10 seconds, or “**OFF**” so that the keys will remain unlocked.
3. Press the **ENTER** button to confirm.

IR Active - This function you can activate the IR function and use the **UC IR** or **Airstream** app to control the unit.

1. Press either the **MODE**, **UP**, or **DOWN** buttons until “**IR Active**” is displayed, press **ENTER**.
2. The display will show either “**ON**” or “**OFF**”. Press the **UP** or **DOWN** buttons to select “**ON**” to activate IR function, or “**OFF**” to turn off the IR function.
3. Press **ENTER** to confirm. See page 20 for the IR controls.

Flip Display - This function will reverse the display 180°.

1. Press either the **MODE**, **UP**, or **DOWN** buttons until “**FlipDisplay**” is displayed, press **ENTER**.
2. The display will show either “**ON**” or “**OFF**”. Press the **UP** or **DOWN** buttons to select “**ON**” to flip the display, or “**OFF**” to keep the display normal.
3. Press the **ENTER** button to confirm.

WiFly Channel - This function you can set your desired **WiFly** channel. See **WiFly Set Up** on page 19 for more information.

1. Press either the **MODE**, **UP**, or **DOWN** buttons until “**WiFly Channel**” is displayed, and press **ENTER**.
2. Use the **UP** or **DOWN** buttons to find your desired **WiFly** channel.
3. Press the **ENTER** button to confirm your **WiFly** channel.

Battery Power - This function you are able to check the remaining battery power.

1. Press either the **MODE**, **UP**, or **DOWN** buttons until “**Fixture Power**” is displayed, press **ENTER**.
2. The remaining battery charge will now be displayed. Press the **MODE** button to exit.

Runtime Mode - This function you are to adjust the battery running time. This adjustment will change the output power as well. See page 19 for more information.

1. Press either the **MODE**, **UP**, or **DOWN** buttons until “**Runtime Mode**” is displayed, and press **ENTER**.
2. Press the **UP** or **DOWN** buttons to find your desired dimmer curve and press **ENTER** to confirm.

This unit can only be controlled using WiFly. Your DMX controller must be connected to a ADJ WiFly Transceiver to use this function. You are able to communicate up to 2500 feet/760 meters (open line of sight).

1. Follow the instructions on page 18 to set the WiFly channel. The channel must match the channel setting on the WiFly Transceiver.
2. After you have set the WiFly channel, follow the DMX instructions on page 16 to select your desired DMX Channel mode and set your DMX address.
3. Apply power to the ADJ WiFly Transceiver. The fixture must be set up first before you apply power to WiFly Transceiver.
4. If everything is set up properly and the fixture is receiving a wireless signal, you should now be able to control it with a DMX controller.

This function will allow you to link units together via WiFly to run in a Master-Slave setup.

1. Follow the instructions on page 18 to set the WiFly channel. The channel on each fixture must be the same.
2. After you have set the WiFly channel, select your “Master” unit and set your desired operating mode.
3. On the slave units press the MODE button until “**Slave**” is displayed.
4. The slave units will now follow the Master unit.

[2hours] - When the battery is at full charge and running full on, the battery will run for at least 2 hours at 14W. LCD display will show “2hours”.

[4hours] - When the battery is at full charge and running full on, the battery will run for at least 4 hours at 7W. LCD display will show “4hours”.

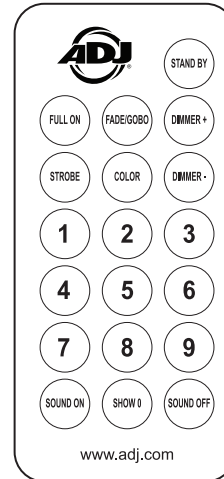
[6hours] - When the battery is at full charge and running full on, the battery will run for at least 6 hours at 4.9W. LCD display will show “6hours”.

[8hours] - When the battery is at full charge and running full on, the battery will run for at least 8 hours at 3.9W. LCD display will show “8hours”.

The **ADJ UC IR** (not included) infrared remote gives you control of various functions (See below). To control the Saber Spot GO you must aim the remote at the front of the fixture and be no more than 30 feet away. To use the ADJ UC IR you must first activate the fixtures infrared sensor, to activate the sensor please see the instructions on page 18.

The **ADJ Airstream IR** remote transmitter (not included) plugs into the headphone jack of your iOS phone or tablet. To control your fixture, raise the volume to the maximum level on your iOS phone or tablet, aim the transmitter at the fixture sensor, and be no more than 15 feet away. The Airstream app is a free download from the app store for your iOS phone or tablet. The app comes with 3 pages of control depending on the fixture you are using. Please see below for IR functions including the corresponding app page.

	BUTTONS	Stand by
Full ON	Fade/Gobo	
Strobe	Color	
1	2	3
4	5	6
7	8	9
SoundOn	Show 0	SoundOff



(NOT INCLUDED)

Works with App page 1

STAND BY

Pressing this button will switch between IR remote control and DMX control.

FULL ON

Press this button to activate blackout. Press the button again to fully light up the unit. Pressing this button will also exit strobing.

FADE/GOBO

Press this button to activate show mode. Continue to press this button to scroll through the different shows.

DIMMER “+” and DIMMER “-”

Press these buttons to adjust the strobing rate when strobe is active.

STROBE

Press this button to activate strobing.

COLOR

Press this button activate static color mode. Continue to press this button to scroll through the available colors.

1-9

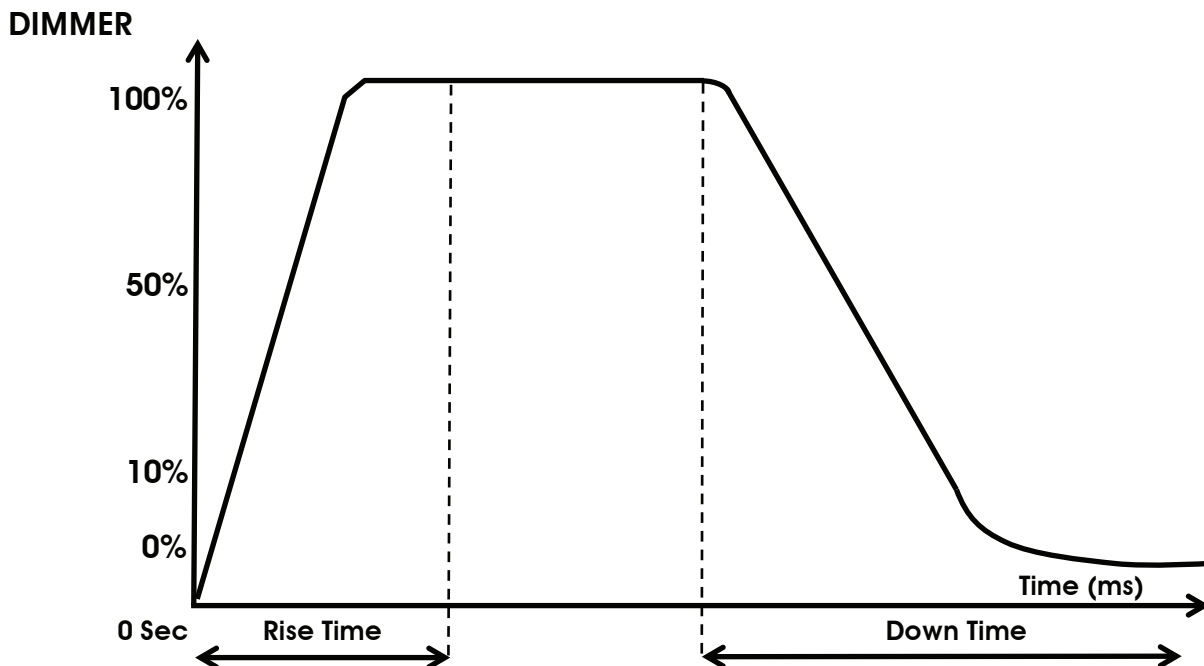
These buttons are invalid for this fixture.

SOUND ON & OFF

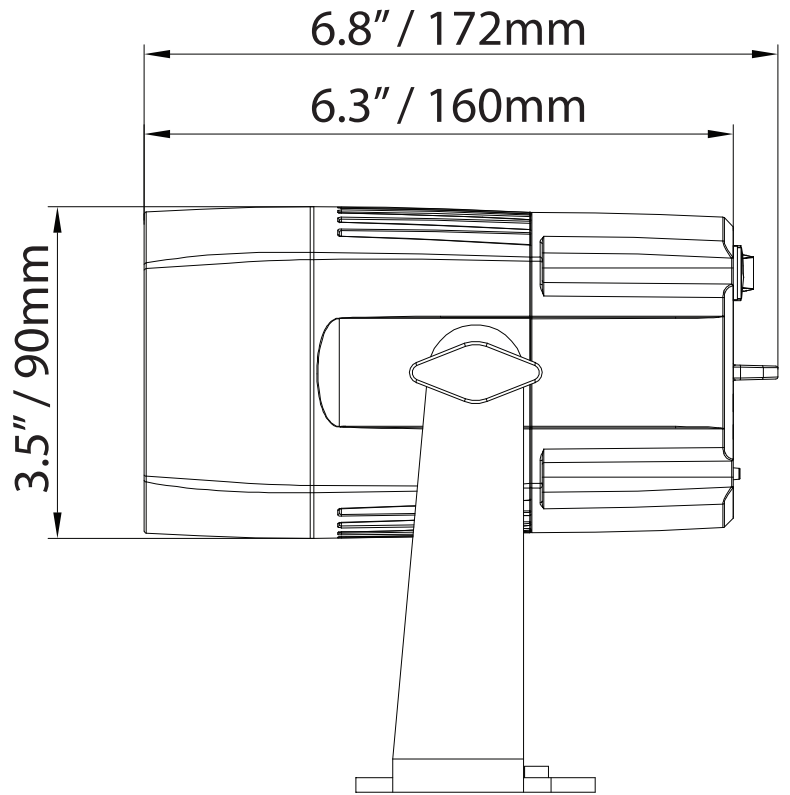
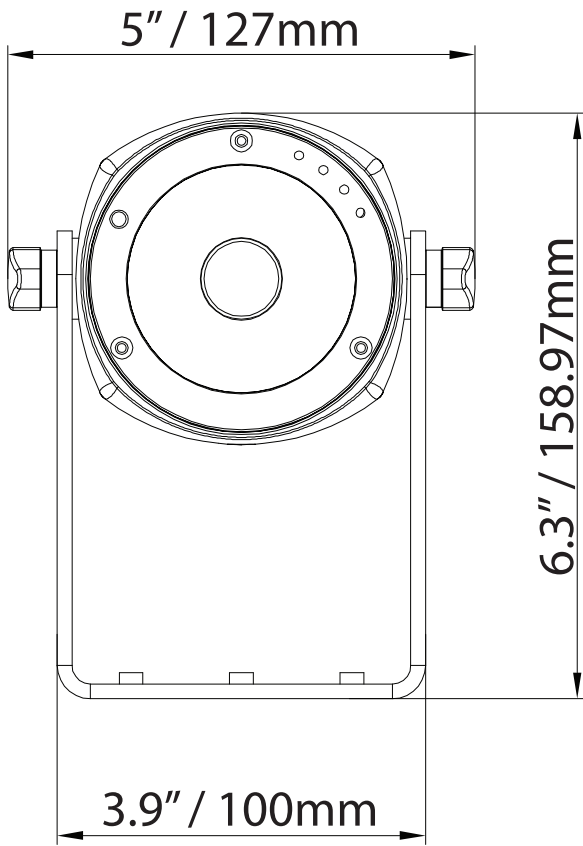
These buttons are invalid for this fixture.

SHOW 0

This button is invalid for this fixture.



Dimming Curve Ramp Effect	0 sec Fade Time		1 sec Fade Time	
	Rise Time (ms)	Down Time (ms)	Rise Time (ms)	Down Time (ms)
Standard (default)	0	0	0	0
Stage	780	1100	1540	1660
TV	1180	1520	1860	1940
Architectural	1380	1730	2040	2120
Theatre	1580	1940	2230	2280



Saber Spot GO

Frost Filter Installation



1.



2.



3.

The Saber Spot GO comes with 2 frost filters. Before installation, peel off the adhesive backing on both sides of the lens. Install the frost filter in front of the main lens (**1 & 2**). Insert the included retainer ring by “squeezing” the ring and gently sliding it in place in front of the newly installed lens (**3**).

Saber Spot GO

Trouble Shooting

Listed below are a few common problems the user may encounter, with solutions.

Unit not responding to DMX:

1. Be sure that the wireless channel setting on the unit and the transceiver channel match.
2. Be sure that you are in the correct DMX channel mode.
3. Be sure that the distance between is not too far and that there is no interference with the “line of sight”.

Saber Spot GO

Cleaning

Due to fog residue, smoke, and dust cleaning the internal and external optical lenses must be carried out periodically to optimize light output.

1. Use normal glass cleaner and a soft cloth to wipe down the outside casing.
2. Clean the external optics with glass cleaner and a soft cloth every 20 days.
3. Always be sure to dry all parts completely before plugging the unit back in.
Cleaning frequency depends on the environment in which the fixture operates (i.e. smoke, fog residue, dust, dew).

MANUFACTURER'S LIMITED WARRANTY

- A. ADJ Products, LLC hereby warrants, to the original purchaser, ADJ Products, LLC products to be free of manufacturing defects in material and workmanship for a prescribed period from the date of purchase (see specific warranty period on reverse). This warranty shall be valid only if the product is purchased within the United States of America, including possessions and territories. It is the owner's responsibility to establish the date and place of purchase by acceptable evidence, at the time service is sought.
- B. For warranty service you must obtain a Return Authorization number (RA#) before sending back the product—please contact ADJ Products, LLC Service Department at 800-322-6337. Send the product only to the ADJ Products, LLC factory. All shipping charges must be pre-paid. If the requested repairs or service (including parts replacement) are within the terms of this warranty, ADJ Products, LLC will pay return shipping charges only to a designated point within the United States. If the entire instrument is sent, it must be shipped in its original package. No accessories should be shipped with the product. If any accessories are shipped with the product, ADJ Products, LLC shall have no liability whatsoever for loss of or damage to any such accessories, nor for the safe return thereof.
- C. This warranty is void if the serial number has been altered or removed; if the product is modified in any manner which ADJ Products, LLC concludes, after inspection, affects the reliability of the product; if the product has been repaired or serviced by anyone other than the ADJ Products, LLC factory unless prior written authorization was issued to purchaser by ADJ Products, LLC; if the product is damaged because not properly maintained as set forth in the instruction manual.
- D. This is not a service contract, and this warranty does not include maintenance, cleaning or periodic check up. During the period specified above, ADJ Products, LLC will replace defective parts at its expense with new or refurbished parts, and will absorb all expenses for warranty service and repair labor by reason of defects in material or workmanship. The sole responsibility of ADJ Products, LLC under this warranty shall be limited to the repair of the product, or replacement thereof, including parts, at the sole discretion of ADJ Products, LLC. All products covered by this warranty were manufactured after August 15, 2012, and bear identifying marks to that effect.
- E. ADJ Products, LLC reserves the right to make changes in design and/or improvements upon its products without any obligation to include these changes in any products theretofore manufactured.

No warranty, whether expressed or implied, is given or made with respect to any accessory supplied with products described above. Except to the extent prohibited by applicable law, all implied warranties made by ADJ Products, LLC in connection with this product, including warranties of merchantability or fitness, are limited in duration to the warranty period set forth above. And no warranties, whether expressed or implied, including warranties of merchantability or fitness, shall apply to this product after said period has expired. The consumer's and/or Dealer's sole remedy shall be such repair or replacement as is expressly provided above; and under no circumstances shall ADJ Products, LLC be liable for any loss or damage, direct or consequential, arising out of the use of, or inability to use, this product.

This warranty is the only written warranty applicable to ADJ Products, LLC Products and supersedes all prior warranties and written descriptions of warranty terms and conditions heretofore published.

MANUFACTURER'S LIMITED WARRANTY PERIODS:

Non L.E.D. Lighting Products = 1-year (365 days) Limited Warranty (Such as: Special Effect Lighting, Intelligent Lighting, UV lighting, Strobes, Fog Machines, Bubble Machines, Mirror Balls, Par Cans, Trussing, Lighting Stands etc. excluding LED and lamps)

Laser Products = 1 Year (365 Days) Limited Warranty (excludes laser diodes which have 6 month limited warranty)

L.E.D. Products = 2-year (730 days) Limited Warranty (excluding batteries which have a 180 day limited warranty)

Note: 2 Year Warranty only applies to purchases within the United States.

StarTec Series = 1 Year Limited Warranty (excluding batteries which have a 180 day limited warranty).

ADJ DMX Controllers = 2 Year (730 Days) Limited Warranty

Power Supply:	DC 13-16V
LEDs:	1 x 15W RGBW 4-in-1 LED
Working Position:	Any safe working position
Power Draw:	27W
Weight:	2.5 lbs./ 1.1 Kgs.
Dimensions:	6.7" (L) x 5.3" (W) x 8.5" (H) 170 x 135 x 215mm
Colors:	RGBW
DMX Modes:	3/4/4/5/6/6/7/8/8/9/11/12
Battery Charge Time:	4 Hours
Battery Lifetime*:	Average Lifetime is 500 Charges
Battery Type:	Fixed Lithium Ion Battery
Battery Energy:	28.86WH (Watt Hours)
Battery Weight:	0.33 lbs. / 0.15kg
Battery Voltage:	11.1V
Battery Capacity:	2.6AH
Total Lithium Ion Cells:	3pcs
Battery Wrap Material:	PVC Sleeving + Highland Barley Paper
Warranty**:	2 Year (730 days) Limited Warranty

* This depends on charging frequency

**See Warranty page for more details

Please Note: Specifications and improvements in the design of this unit and this manual are subject to change without any prior written notice.