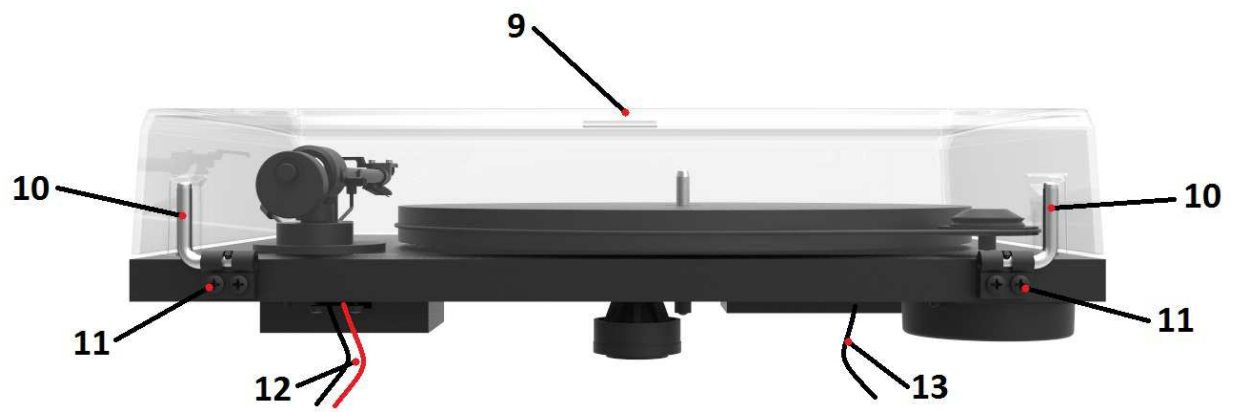
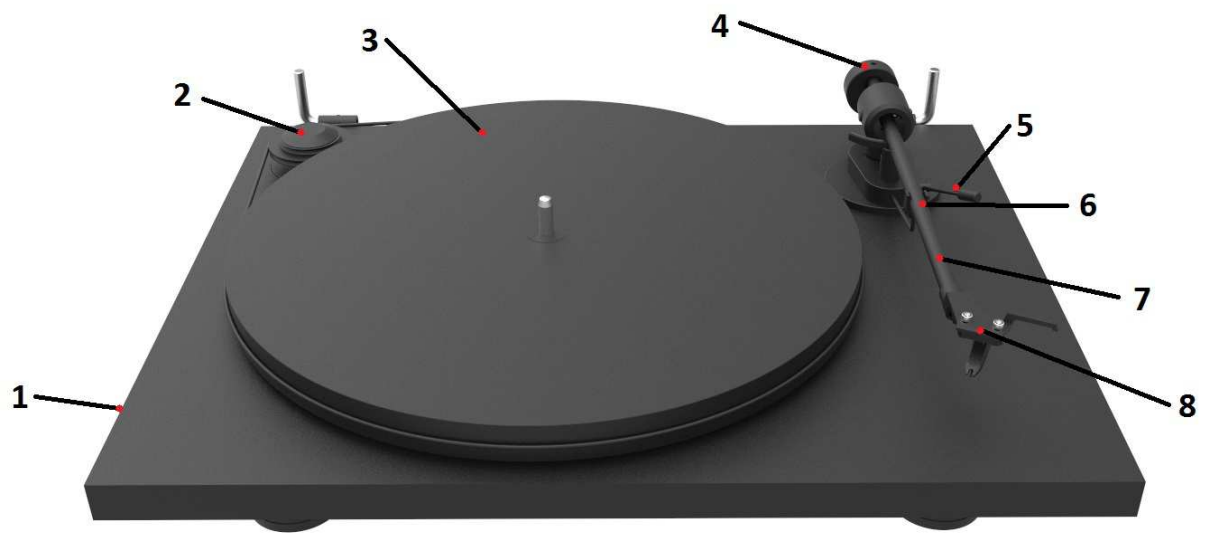




INSTRUCTIONS FOR USE
Pro-Ject Primary E



Controls, features and connections

- (1) Power switch
 - (2) Stepped drive pulley and drive belt *
 - (3) Platter with felt mat *
 - (4) Tonearm counterweight
 - (5) Tonearm lift lever
 - (6) Tonearm rest and removable transport lock
 - (7) Tonearm tube
 - (8) Headshell with finger lift and pre-mounted Ortofon OM
 - (9) Lid
 - (10) Lid hinge
 - (11) Hinge fasteners
 - (12) Power cord (suitable for your country's mains)
 - (13) Signal output cable
- Allen key 1.5mm (not shown)*
Single adapter (not shown)*

Dear Music Lover,

Congratulations and thank you for choosing Pro-Ject Audio Systems record player.

Your Primary E turntable has been handcrafted and rigorously tested by skilled technicians to give you years of enjoyable, trouble free service.

Please contact your dealer if you require additional assistance.

Important:

Your turntable was shipped partially disassembled in order to avoid damage to sensitive parts. Please check immediately to make sure that neither the packaging nor the device was damaged in transit. If you are missing parts or if the unit is damaged, please do not operate and contact your dealer.

Safety instructions

The power cord is used to connect and disconnect the unit from the mains. Make sure that the plug is easily accessible at all times. Hold the plug when unplugging the power cord. Never handle the power cord while your hands are wet or damp.

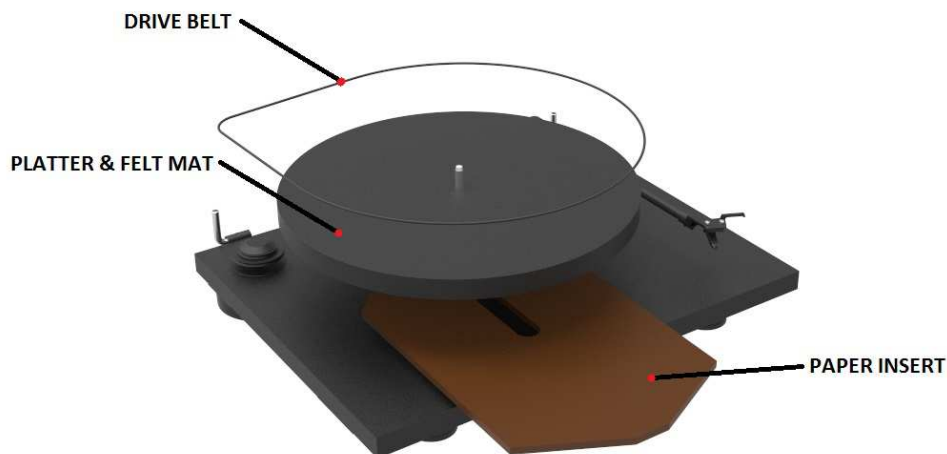


Avoid letting liquids enter the device. Never place any item containing liquid, like a flower vase, on or near the device. Never spill any liquid on the device. Never place any naked flame sources, like lighted candles, on or near the device. The product shall not be used in damp or wet locations, next to a bathtub, sink, swimming pool or any other similar conditions.

Keep plastic bags away from children to prevent any risk of suffocation.

Platter and drive belt installation

Please remove brown paper insert which holds the platter in transport position. Put the felt mat on the top of the platter. Install the drive belt as shown in the following illustration.



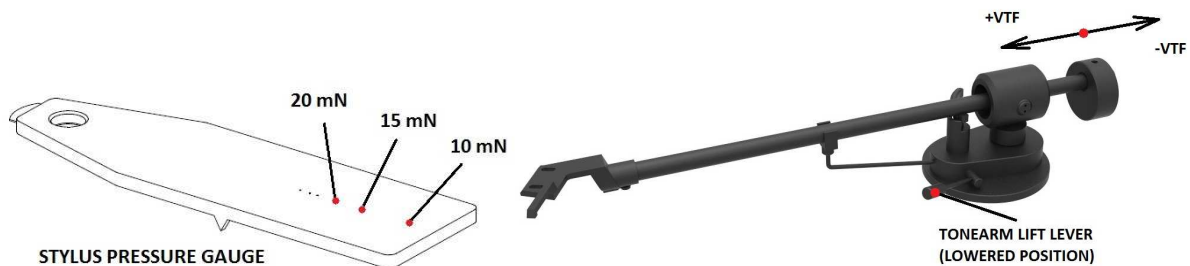
Cartridge downforce adjustment

The counterweight (8) supplied is suitable for cartridges weighing between 3 - 7g (weight no. **81**). The counterweight is pre-set perfectly from the factory.

In case you need to set the tracking force, please read following instructions:

Place the stylus pressure gauge onto the platter. To adjust the amount of pressure, carefully move the counterweight along the support rod, until the stylus pressure is sufficient to raise the pressure gauge to the level position. Moving the counterweight away from the cartridge will reduce pressure and towards will increase pressure. Finally secure the counterweight using hexagonal key provided.

If the stylus gauge becomes level, then the correct pressure has been achieved. However if there is insufficient or excessive pressure the gauge will either not move or tilt down.



Connection to the amplifier

The record player has a captive tonearm signal lead (11) for connection to the amplifier. Use the Phono input (sometimes labelled gram, disc or RIAA) on your amplifier. Make sure that the phono input offers correct matching and amplification for the type of cartridge used. Line inputs (such as CD, Tuner, Tape or Video) are not suitable.

Take care about connecting the left and right channel correctly. The right channel is usually marked red, the left channel black or white. Check the manual of your amplifier for relevant information. An earthing wire may be connected to the screw terminal between the sockets if you encounter humming problems.

If your amplifier does not have an input suitable for phono cartridges you will require a separate phono amplifier stage for MM or MC cartridges which is then connected between the record player and a free line level input of the amplifier.

For detailed product information regarding Pro-Ject Audio Phono Amplifiers please refer to the Pro-Ject web site www.project-audio.com.

Mains power connection

The turntable is supplied with a power cord suitable your country's mains supply. Connect the power cord to the mains.

Fitting the lid

Fit the lid (dust cover) carefully over the hinge prongs and adjust the screws (9) until the lid stays open where you want it to without being too stiff to open or close.

Switching on and off

Pressing the power switch (1) alternately starts or stops the motor.

Changing replay speed

Put the belt over the larger diameter part of the motor pulley (2). To revert to 33 r.p.m. repeat the proceedings using the smaller step on the pulley.

Maintenance and cleaning

Your record player requires little or no regular maintenance. Remove dust with a slightly moistened antistatic cloth. Never use a dry cloth because this will create static electricity which attract more dust! Antistatic cleaning fluids are available at specialist stores but must be applied sparingly to avoid damage to rubber parts. It is recommended to fit the needle cover before cleaning or maintenance is carried out to avoid damage.

If the player is not used over a long period of time the drive belt can be removed to prevent unequal stretching.

Fitting and connecting the cartridge

All cartridges with half inch mounting holes can be mounted. Leave the needle's protection cover on, fit the cartridge to the headshell by using the supplied screws by passing one screw through each slot in the headshell (8). Do not tighten the nuts yet.

Connect the tonearm wires with the cartridge pins as follows:

white	left channel positive (L+)
red	right channel positive (R+)
green	right channel return (R -)
blue	left channel return (L -)

The full sound quality of the record player can only be achieved if the cartridge is adjusted correctly. Particular tools like the Pro-Ject Audio Systems alignment tool are required to accomplish this job properly. If you are not well acquainted with the adjustment of cartridges, please call for the willing help of your Pro-Ject Audio Systems dealer.



Please note: adjusting a cartridge and tonearm calls for the greatest care in order to avoid damaging the cartridge or tonearm bearings. Ask your local dealer for help if you are unsure in any of the necessary steps and precautions which must be taken.

Useful tips

The record player should be positioned on a low-resonance surface such as wood or multiple layer ply board to avoid structural vibrations disturbing replay.

Technical specifications Pro-Ject Primary E / Pro-Ject 8.6E

Nominal speeds	33/45 r.p.m.
Speed variance	33: 0,80% 45: 0,70%
Wow and flutter	33: 0,29% 45: 0,27%
Signal to noise	-65dB
Effective tonearm mass	8g
Effective tonearm length	8,6" (218,5mm)
Overhang	22mm
Power consumption	4.5W
Power cord	suitable for your country's mains supply (EU, UK, US, AUS)
Dimensions (W x H x D)	420 x 112 x 330mm (WxHxD)
Weight	4.0kg

Technical specifications MM-Cartridge Ortofon OM

Frequency range	20-22.000Hz
Channel separation	20dB/1kHz
Output voltage	4.5mV
Recommended load impedance	47kohms/amplifier connection – MM-input
Compliance/stylus type	20µm/mN – Spherical
Recommended tracking force	17.5mN
Weight	5g

Potential incorrect use and fault conditions

Pro-Ject turntables are manufactured to the highest standards and undergo strict quality controls before leaving the factory. Faults that may possibly occur are not necessarily due to material or production faults but can sometimes be caused by incorrect use or unfortunate circumstances. Therefore the following list of common fault symptoms is included.

The platter doesn't turn although the unit is switched on:

- The unit is not connected to the mains power supply.
- No mains at the socket.
- Drive belt is not fitted or has slipped off.

No signal through one or other channel or both channels:

- No signal contact from the cartridge to the internal tonearm wiring or from that to the arm lead or from that to the phono box or between that and the amplifier. This could be due to a faulty plug, broken wire or solder joint or simply loose plug/socket connection.
- Phono input not selected at amplifier.
- Amplifier not switched on.
- Amplifier or speakers is defective or muted.
- No connection to the loudspeakers.

Strong hum on phono input:

- No earth connection from cartridge or arm or arm cable to amplifier, or earth loop.

Distorted or inconsistent sound from one or both channels:

- Record player is connected to wrong input of amplifier, or MM/MC switch incorrectly set.
- Needle or cantilever damaged.
- Wrong r.p.m., drive belt is overstretched or dirty, platter bearing without oil, dirty or damaged.

Service

Should you encounter a problem which you are not able to alleviate or identify despite the above information, please contact your dealer for further advice. Only when the problem cannot be resolved there should the unit be sent to the responsible distributor in your country.

Guarantee repairs will only be effected if the unit is returned correctly packaged. For this reason we recommend keeping the original packaging.

Never return a record player without making sure that it is safely disassembled and correctly packaged in the original packaging according to the diagrams on the last page of this user guide.

Fit the cartridge protection cap and the transport lock for the tonearm tube (66), prior to carefully packaging the record player.

Warranty



The manufacturer accepts no responsibility for damage caused by not adhering to these instructions for use and/or by transportation without the original packaging. Modification or change to any part of the product by unauthorized persons, release the manufacturer from any liability over and above the lawful rights of the customer.

Pro-Ject Audio Systems is a Registered Trademark of H. Lichtenegger.

This guide was produced by: Pro-Ject Audio Systems Copyright © 2018. All rights reserved.

The information was correct at the time of going to press. The manufacturer reserves the right to make changes to the technical specification without prior notice as deemed necessary to uphold the ongoing process of technical development.

