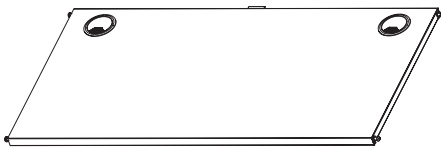
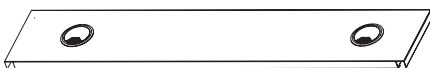


- DJ Table (item no. 540756)
- Folding DJ table made from robust square tube, painted
- Can be set up without tools
- Large work surface for DJ controllers and DJ setups
- Material: Steel
- Colour: Black
- Maximum load capacity: 50 kg (with balanced distribution)
- Height of work surface: 932 mm
- Overall dimensions (W × H × D):
1,203 mm × 1,125 mm × 605 mm
- Dimensions of work surface (W × D):
1,137 mm × 570 mm
- Weight: 21 kg
- Scope of delivery: 1 piece
- Including bag with three handles and double zip

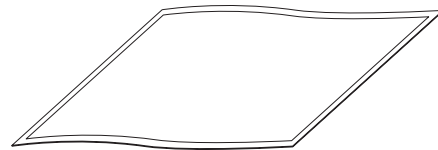
Accessories (optionally available)

Roadworx DJ Table Shelf (item no. 540761)


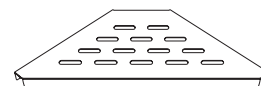
- Shelf for DJ table
- Two holes for cables
- Material: Steel
- Colour: Black
- Maximum load capacity: 25 kg (with balanced distribution)
- Overall dimensions (W × D): 1,182 mm × 595 mm
- Dimensions of shelf (W × D): 1,137 mm × 570 mm
- Weight: 6.5 kg
- Scope of delivery: 1 piece

Roadworx DJ Table ALU Top Shelf Bk (item no. 589238)


- Top shelf for DJ table
- Two holes for cables
- Material: Aluminium
- Colour: Black
- Maximum load capacity: 25 kg (with balanced distribution)
- Overall dimensions (W × D): 1,207 mm × 260 mm
- Dimensions of shelf (W × D): 1,137 mm × 260 mm
- Weight: 2.3 kg
- Scope of delivery: 1 piece

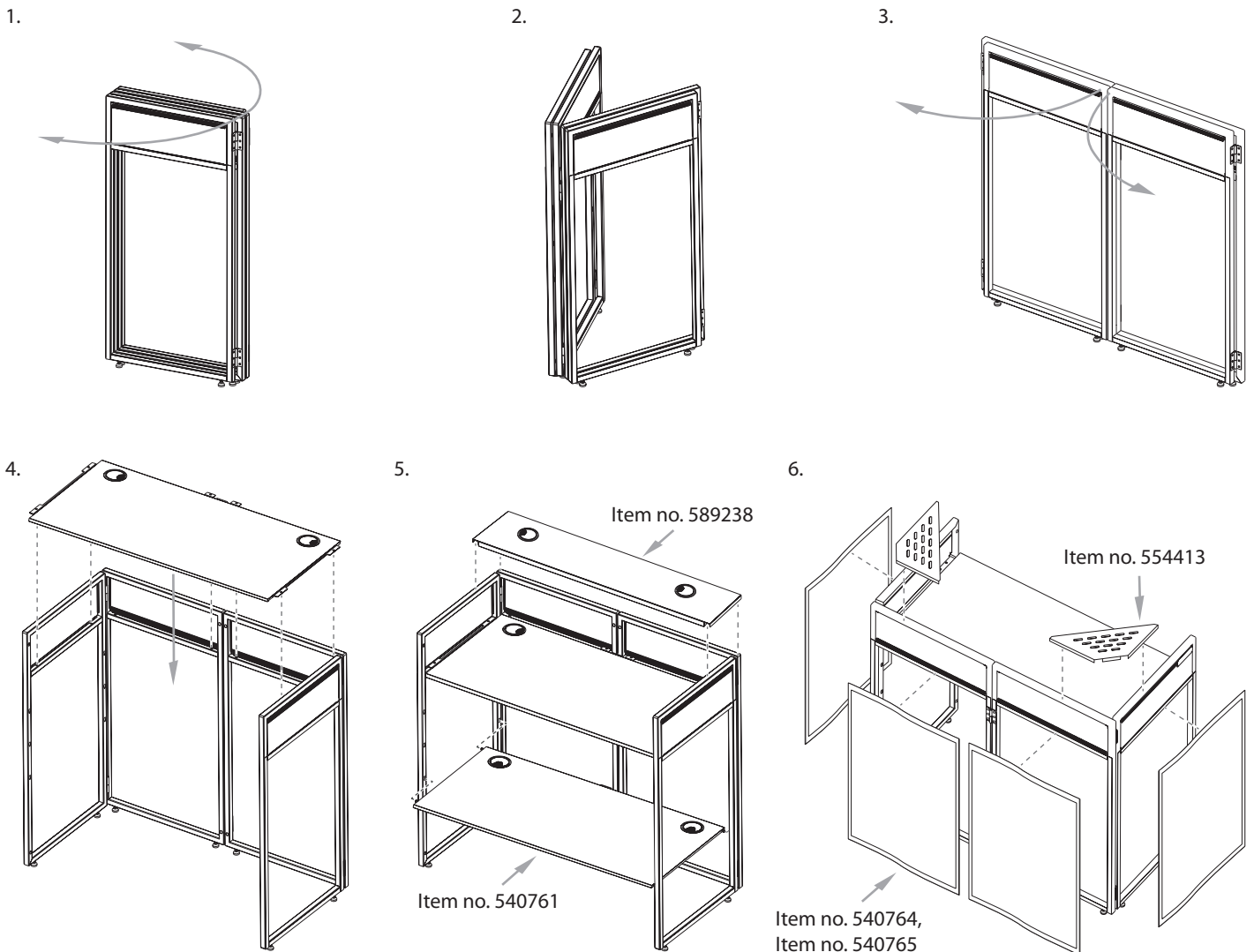
Roadworx DJ Table Cover Black (item no. 540764)
Roadworx DJ Table Cover White (item no. 540765)


- Cloth cover with hook-pile tape for DJ table
- Can be washed at 40 °C
- Colour: Black – Roadworx DJ Table Cover Black (item no. 540764)
White – Roadworx DJ Table Cover White (item no. 540765)
- Dimensions of front cover (W × H): 600 mm × 925 mm
- Dimensions of side cover (W × H): 570 mm × 925 mm
- Weight: 0.32 kg
- Scope of delivery: 2 front covers
2 side covers

Roadworx DJ Table Corners (item no. 554413)


- Shelves for DJ table
- Material: Aluminium
- Colour: Black
- Maximum load capacity: 10 kg
- Dimensions (W × D): 565 mm × 235 mm
- Weight: 0.32 kg per shelf
- Scope of delivery: 2 pieces
- Including bag with two handles

Assembly instructions



General information

This document contains important information. Read and follow the instructions. Keep the document for future reference. If you pass the product on to others, please include this document.

Contents are subject to change. Please refer to the latest version of the documentation, which is available for download at www.thomann.de.

Intended use

This product serves as a workstation for studio applications. Any other use or use under other operating conditions is considered to be improper and may result in personal injury or property damage. No liability will be assumed for damage resulting from improper use. This product may be used only by persons with sufficient physical, sensory, and intellectual abilities and with the relevant knowledge and experience. Other persons may use this device only if they are supervised or instructed by a person who is responsible for their safety.



Risk of injury and choking hazard for children!

Children can suffocate on packaging material and small parts. Children can injure themselves when handling the product. Never allow children to play with the packaging material and the product. Always store packaging material out of the reach of babies and small children. Always dispose of packaging material properly when it is not in use. Never allow children to use the product without supervision. Keep small parts away from children and make sure that the product does not shed any small parts that children could play with.



Risk of injury due to tipping of the product on unsuitable ground!

If the product is set up on soft or uneven ground, the product can tip over and cause injuries and property damage. Always set up the product on firm and level ground.



Risk of injury due to tipping, excessive loading and improper use!

In case of excessive and uneven loading, the product can tip over, causing injury and property damage. The product cannot hold people. Never sit on the product. Never exceed the specified maximum load for the product.



Possible staining due to plasticiser in rubber feet!

The plasticiser contained in the rubber feet of this product may react with the coating of the floor and cause permanent dark stains after some time. If necessary, use a suitable mat or felt slide to prevent direct contact between the product's rubber feet and the floor.



Environmentally friendly materials have been chosen for the packaging. These materials can be sent for normal recycling. Ensure that plastic bags, packaging, etc. are disposed of in the proper manner. Do not dispose of these materials with your normal household waste, but make sure that they are collected for recycling. Please follow the instructions and markings on the packaging.



Observe the disposal note regarding documentation in France.