



Drop 8

Passive Speaker

Thomann GmbH

Hans-Thomann-Straße 1

96138 Burgebrach

Germany

Telephone: +49 (0) 9546 9223-0

Internet: [www.thomann.de](http://www.thomann.de)

29.01.2024, ID: 562016, 562017

---

## Table of contents

<b>1</b>	<b>General information</b> .....	<b>5</b>
	1.1 Symbols and signal words.....	5
<b>2</b>	<b>Safety instructions</b> .....	<b>7</b>
<b>3</b>	<b>Features</b> .....	<b>8</b>
<b>4</b>	<b>Installation</b> .....	<b>9</b>
	4.1 Mounting.....	10
	4.2 Power tap.....	12
	4.3 Tips on handling speakers.....	13
<b>5</b>	<b>Technical specifications</b> .....	<b>14</b>
	5.1 Drop 8 (item no. 562016, 562017).....	14
<b>6</b>	<b>Protecting the environment</b> .....	<b>18</b>




# 1 General information

This document contains important instructions for the safe operation of the product. Read and follow the safety instructions and all other instructions. Keep the document for future reference. Make sure that it is available to all those using the product. If you sell the product to another user, be sure that they also receive this document.

Our products and documentation are subject to a process of continuous development. They are therefore subject to change. Please refer to the latest version of the documentation, which is ready for download under [www.thomann.de](http://www.thomann.de).

## 1.1 Symbols and signal words

In this section you will find an overview of the meaning of symbols and signal words that are used in this document.

Signal word	Meaning
<b>DANGER!</b>	This combination of symbol and signal word indicates an immediate dangerous situation that will result in death or serious injury if it is not avoided.
<b>WARNING!</b>	This combination of symbol and signal word indicates a possible dangerous situation that can result in death or serious injury if it is not avoided.
<b>NOTICE!</b>	This combination of symbol and signal word indicates a possible dangerous situation that can result in material and environmental damage if it is not avoided.
Warning signs	Type of danger
	Warning – danger zone.

## 2 Safety instructions

### Intended use

This device is designed for sound reinforcement. Use the device only as described in this user manual. Any other use or use under other operating conditions is considered to be improper and may result in personal injury or property damage. No liability will be assumed for damages resulting from improper use.

This device may be used only by persons with sufficient physical, sensorial, and intellectual abilities and having corresponding knowledge and experience. Other persons may use this device only if they are supervised or instructed by a person who is responsible for their safety.

### Safety



#### **DANGER!**

##### **Risk of injury and choking hazard for children!**

Children can suffocate on packaging material and small parts. Children can injure themselves when handling the device. Never allow children to play with the packaging material and the device. Always store packaging material out of the reach of babies and small children. Always dispose of packaging material properly when it is not in use. Never allow children to use the device without supervision. Keep small parts away from children and make sure that the device does not shed any small parts (such as knobs) that children could play with.



#### **WARNING!**

##### **Possible hearing damage due to operating the device at a high volume!**

The device can produce volume levels that, when operated at a high volume, may cause temporary or permanent hearing impairment. Over an extended period of time, even levels that seem to be uncritical can cause hearing damage. Avoid operating the device at excessively high volumes over an extended period of time. Decrease the volume level immediately if you experience ringing in your ears or hearing impairment. If this is not possible, keep a greater distance or use adequate ear-muffs.

### 3 Features

**Drop 8**  
**(item no. 562016, 562017)**

- Configuration: 1 × 1.1-inch tweeter, 1 × 8-inch woofer
- OBE technology (Optimal Bass Enhancement Radiator)
- Transformer for 100 V/70 V (6.25 W/12.5 W/25 W/50 W)
- Pluggable screw terminal connections
- Pendulum holder included in the scope of delivery
- Weatherproof thanks to International Protection Rating IP66
- Housing colour: black (item no. 562016), white (item no. 562017)



## 4 Installation

Unpack and check carefully there is no transportation damage before using the unit. Keep the equipment packaging. To fully protect the product against vibration, dust and moisture during transportation or storage use the original packaging or your own packaging material suitable for transport or storage, respectively.

Create all connections while the device is off. Use the shortest possible high-quality cables for all connections. Take care when running the cables to prevent tripping hazards.



### **NOTICE!**

#### **Possible property damage to adjacent devices due to magnetic fields.**

Speakers generate a static magnetic field. This magnetic field can affect other neighbouring units and in unfavourable cases damage them.

Ensure that speakers are always a sufficient distance away from sensitive equipment that may be affected by an external magnetic field.



## **NOTICE!**

### **Damage to the device if operated in unsuitable ambient conditions!**

The device can be damaged if it is operated in unsuitable ambient conditions.

If operated with pendant speakers, the device may only be operated indoors (wind force).

## **4.1 Mounting**

### **Accessories**

- 2x screws for cable holder (3.5 × 10 mm)
- Snap ring
- Threaded nut
- Ring bolt
- Safety cable
- 2x snap hooks

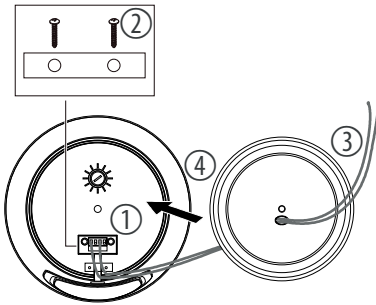


*The supplied screws are not suitable for wall mounting.*

*Before mounting, the ring bolt must be countered with the included snap ring and the threaded nut so that the ring bolt can only be loosened with a tool. Before mounting, make sure that all the slinging gear is approved for the specific application!*

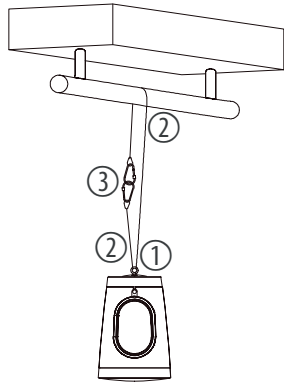
*The device is only suitable for permanent installation.*

## Preparations



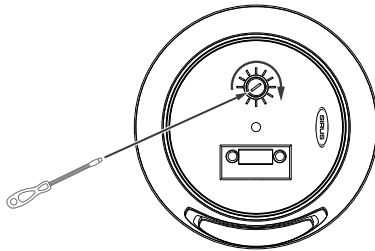
1. ➤ Connect the cables of the amplifier to the screw terminals of the speaker.
2. ➤ Screw the screw terminals to the speaker with 2 screws (3.5 × 10 mm).
3. ➤ Thread the cable through the device cover.
4. ➤ Attach the device cover to the speaker.

## Ceiling installation



1. ➤ Screw the ring eye into the top of the speaker and counter the ring eye with the supplied threaded nut and the snap ring.
2. ➤ Thread the wire rope through the ring eye and the ceiling suspension. The holding bracket must be approved on site for the application and the weight.
3. ➤ Lock the wire rope with two snap hooks and screw the snap hooks shut.
4. ➤ Attach the cables of the speaker to the wire rope with suitable cable ties.

## 4.2 Power tap



Use the selector switch on the rear of the device to select the setting for the power tap. The possible settings are 6.25 W / 12.5 W / 25 W / 50 W.

---

## 4.3 Tips on handling speakers

We recommend you to set up the speakers in a way, that their sound signals can reach the audience unobstructedly.

Always use high grade cables to connect your equipment. Otherwise you won't reach maximum sound quality.

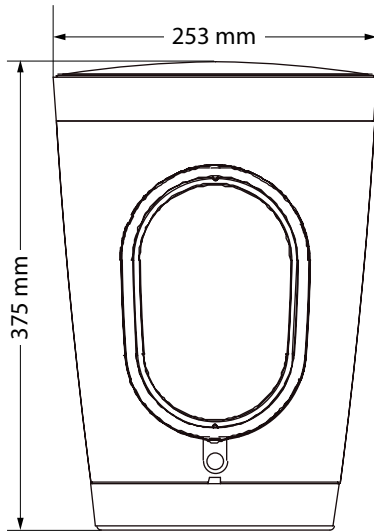
For optimum results both impedance and power handling of the speakers must match the requirements of the amplifier. Always follow the technical specifications of all equipment involved!

The overall impedance of the connected loudspeakers must not exceed the minimum output impedance of the amp. The amp's max. RMS output power should be 50 % above the power handling capacity of the connected speakers.

If you notice distortion during operation, either the amp or the speaker is overloaded. This may permanently damage the amp or the speaker. Always reduce the volume as soon as you notice distortion.

## 5 Technical specifications

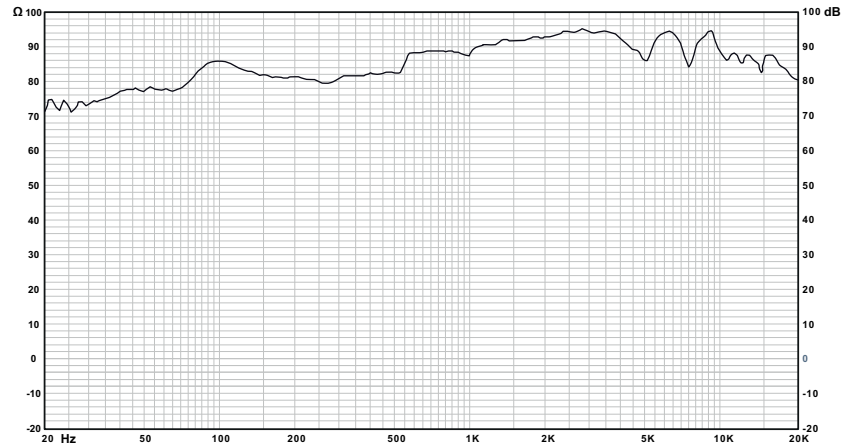
### 5.1 Drop 8 (item no. 562016, 562017)



Configuration	1 × 1.1-inch tweeter 1 × 8-inch woofer
Input connections	Screw terminals
Frequency response (+/-3 dB)	37 Hz...20 kHz
Load capacity	50 W (RMS) 80 W (peak)
Sensitivity (1 W/1 m)	86 dB
Rated impedance	8 Ω
Sound pressure level	95.2 dB
Beam angle (H × V)	70° × 75°
International Protection Rating	IP66
Dimensions (Ø × H)	253 mm × 375 mm

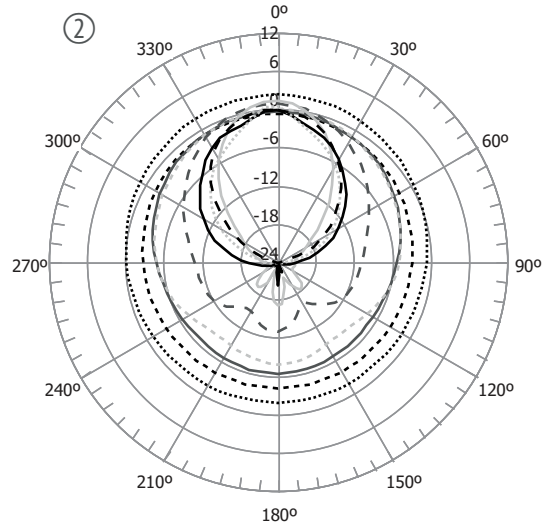
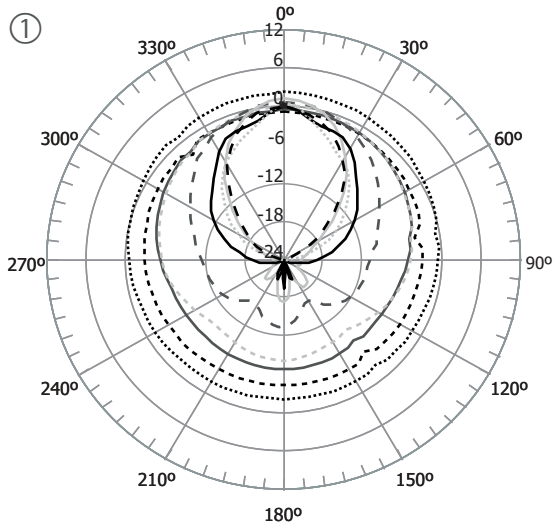
Weight	5 kg	
Colour	black (item no. 562016), white (item no. 562017)	
Ambient conditions	Temperature range	0 °C...40 °C
	Relative humidity	20%...80% (non-condensing)

### Frequency response



**Polar pattern**

(1) vertical, (2) horizontal



- 63Hz
- ..... 125Hz
- 250Hz
- - - 500Hz
- - - 1kHz
- 2kHz
- 4kHz
- ..... 8kHz
- - - 16kHz



**Further information**

Design	Standard
Monitor inclination	No
Weatherproof	Yes
Housing material	Plastic
Stand flange	No
Connection	Phoenix clamp
Ways	2
Transformer	Yes
Housing/installation	Housing
Wall bracket	Yes

## 6 Protecting the environment

### Disposal of the packing material



Environmentally friendly materials have been chosen for the packaging. These materials can be sent for normal recycling. Ensure that plastic bags, packaging, etc. are disposed of in the proper manner.

Do not dispose of these materials with your normal household waste, but make sure that they are collected for recycling. Please follow the instructions and markings on the packaging.



Observe the disposal note regarding documentation in France.

## Disposal of your old device



This product is subject to the European Waste Electrical and Electronic Equipment Directive (WEEE) as amended.

Do not dispose of your old device with your normal household waste; instead, deliver it for controlled disposal by an approved waste disposal firm or through your local waste facility. When disposing of the device, comply with the rules and regulations that apply in your country. If in doubt, consult your local waste management facility. Proper disposal protects the environment as well as the health of your fellow human beings.

Also note that waste avoidance is a valuable contribution to environmental protection. Repairing a device or passing it on to another user is an ecologically valuable alternative to disposal.

You can return your old device to Thomann GmbH at no charge. Check the current conditions on [www.thomann.de](http://www.thomann.de).

If your old device contains personal data, delete those data before disposing of it.









