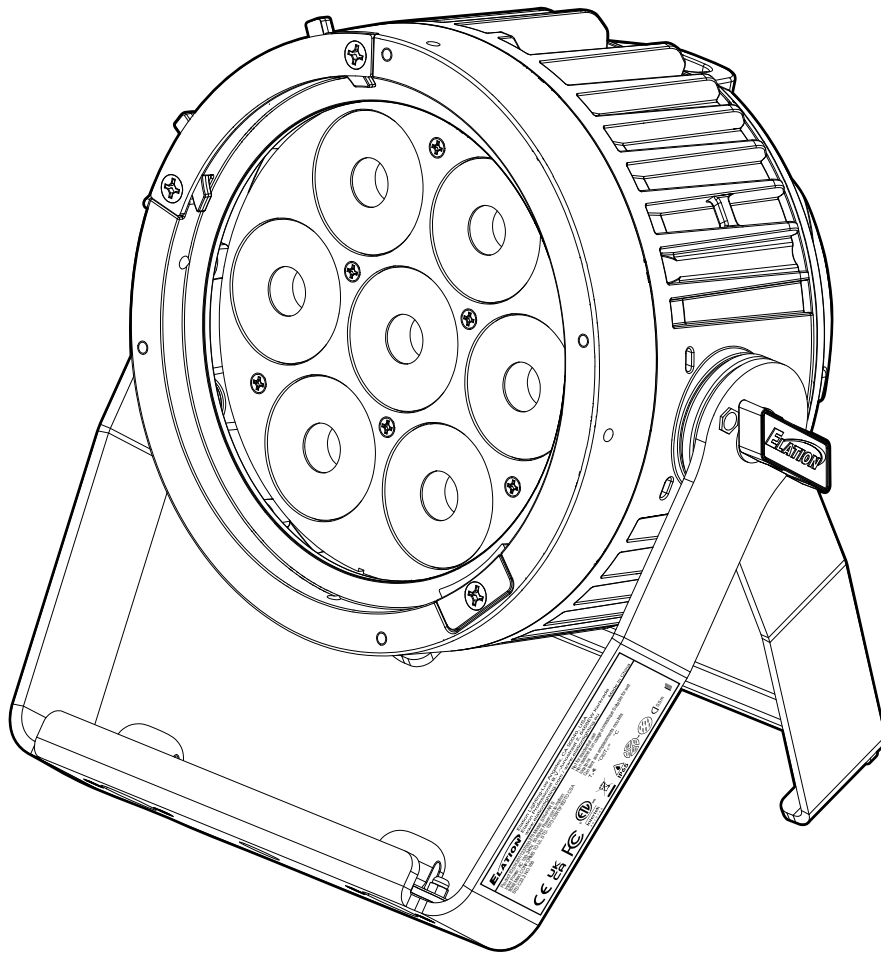


# ELATION®



## SIX+ PAR S User Manual

©2024 **ELATION PROFESSIONAL** all rights reserved. Information, specifications, diagrams, images, and instructions herein are subject to change without notice. ELATION PROFESSIONAL logo and identifying product names and numbers herein are trademarks of ELATION PROFESSIONAL. Copyright protection claimed includes all forms and matters of copyrightable materials and information now allowed by statutory or judicial law or hereinafter granted. Product names used in this document may be trademarks or registered trademarks of their respective companies and are hereby acknowledged. All non-ELATION brands and product names are trademarks or registered trademarks of their respective companies.

**ELATION PROFESSIONAL** and all affiliated companies hereby disclaim any and all liabilities for property, equipment, building, and electrical damages, injuries to any persons, and direct or indirect economic loss associated with the use or reliance of any information contained within this document, and/or as a result of the improper, unsafe, insufficient and negligent assembly, installation, rigging, and operation of this product.

**Elation Professional USA | 6122 S. Eastern Ave. | Los Angeles, CA. 90040**

323-582-3322 | 323-832-9142 fax | [www.elationlighting.com](http://www.elationlighting.com) | [info@elationlighting.com](mailto:info@elationlighting.com)

**Elation Professional B.V. | Junostraat 2 | 6468 EW Kerkrade, The Netherlands**

+31 45 546 85 66 | +31 45 546 85 96 fax | [www.elationlighting.eu](http://www.elationlighting.eu) | [info@elationlighting.eu](mailto:info@elationlighting.eu)

**Elation Professional Mexico | AV Santa Ana 30 | Parque Industrial Lerma, Lerma, Mexico 52000**

+52 (728) 282-7070

## DOCUMENT VERSION



Due to additional product features and/or enhancements, an updated version of this document may be available online. Please scan the QR Code with your mobile device or visit [www.elationlighting.com](http://www.elationlighting.com) for the latest revision/update of this manual, before installation and/or programming.

Date	Document Version	Software Version	DMX Channel Mode	Notes
11/10/23	1.0	1.01	1/3/9/6/9/11/14/14/20	Initial Release
12/15/23	1.1	N/C	No Change	Updated Specifications
01/02/24	1.2	1.02	No Change	Updated System Menu, DMX Traits, Specifications
02/13/24	1.3	N/C	No Change	Updated Specifications, Ordering Information
03/25/24	1.4	N/C	Np Change	Updated System Menu, Specifications

# CONTENTS

<b>General Information</b>	<b>4</b>
<b>IP65 Rated</b>	<b>5</b>
<b>Warranty Returns (USA Only)</b>	<b>6</b>
<b>Safety Guidelines</b>	<b>7</b>
<b>Overview</b>	<b>9</b>
<b>Torque Settings for Screws</b>	<b>10</b>
<b>IP Test Parameters</b>	<b>11</b>
<b>Installation Guidelines</b>	<b>12</b>
<b>Accessory Installation</b>	<b>16</b>
<b>Remote Device Management (RDM)</b>	<b>19</b>
<b>System Menu/Software Updates</b>	<b>20</b>
<b>Dimmer Modes &amp; Curves</b>	<b>23</b>
<b>DMX Traits</b>	<b>24</b>
<b>Emulation DMX Traits</b>	<b>28</b>
<b>Color Temperature Chart</b>	<b>30</b>
<b>Virtual Colors Chart</b>	<b>31</b>
<b>Maintenance Guidelines</b>	<b>32</b>
<b>Specifications</b>	<b>33</b>
<b>Ordering Information   Error Codes</b>	<b>36</b>

# GENERAL INFORMATION

## INTRODUCTION

Please read and understand the instructions in this manual carefully and thoroughly before attempting to operate this device. These instructions contain important safety and use information. **This device is intended for use by trained personnel only, and is not suitable for private use.**

## UNPACKING

Every device has been thoroughly tested and has been shipped in perfect operating condition. Carefully check the shipping carton for damage that may have occurred during shipping. If the carton is damaged, carefully inspect the device for damage, and be sure all accessories necessary to install and operate the device have arrived intact. In the event damage has been found or parts are missing, please contact our customer support team for further instructions. Please do not return this device to your dealer without first contacting customer support. Please do not discard the shipping carton in the trash. Please recycle whenever possible.

## BOX CONTENTS

Lense: 22°  
Power Cable (x1)

## CUSTOMER SUPPORT

Contact ELATION Service for any product related service and support needs. Also visit [forums.elationlighting.com](https://forums.elationlighting.com) with questions, comments, or suggestions.

**ELATION SERVICE USA - Monday - Friday 8:00am to 4:30pm PST**  
323-582-3322 | Fax 323-832-9142 | [support@elationlighting.com](mailto:support@elationlighting.com)

**ELATION SERVICE EUROPE - Monday - Friday 08:30 to 17:00 CET**  
+31 45 546 85 63 | Fax +31 45 546 85 96 | [support@elationlighting.eu](mailto:support@elationlighting.eu)

REPLACEMENT PARTS please visit [parts.elationlighting.com](https://parts.elationlighting.com)



## IMPORTANT NOTICE!

**THERE ARE NO USER SERVICEABLE PARTS INSIDE THIS UNIT. DO NOT ATTEMPT ANY REPAIRS YOURSELF; DOING SO WILL VOID YOUR MANUFACTURER'S WARRANTY. DAMAGES RESULTING FROM MODIFICATIONS TO THIS FIXTURE AND/OR THE DISREGARD OF SAFETY INSTRUCTIONS AND GUIDELINES IN THIS MANUAL VOID THE MANUFACTURER'S WARRANTY AND ARE NOT SUBJECT TO ANY WARRANTY CLAIMS AND/OR REPAIRS.**

# IP65 RATED

The **International Protection (IP)** rating system is commonly expressed as “**IP**” (Ingress Protection) followed by two numbers (i.e. IP65), where the numbers define the degree of protection. The first digit (Foreign Bodies Protection) indicates the extent of protection against particles entering the fixture, and the second digit (Water Protection) indicates the extent of protection against water entering the fixture. An **IP65** rated lighting fixture is designed and tested to protect against the ingress of dust (**6**), and low-pressure water jets from any direction (**5**).

**NOTE: THIS FIXTURE IS INTENDED FOR TEMPORARY OUTDOOR USE ONLY!**

**Maritime/Coastal Environment Installations:** A coastal environment is seaside adjacent, and caustic to electronics through exposure to atomized salt-water and humidity, whereas maritime is anywhere within 5-miles of a coastal environment.



**NOT suitable for maritime/coastal environment installations. Installing this fixture in a maritime/coastal environment may cause corrosion and/or excessive wear to the interior and/or exterior components of the fixture. Damages and/or performance issues resulting from installation in a maritime/coastal environment will void the manufactures warranty, and will NOT be subject to any warranty claims and/or repairs.**

Maritime installations require additional preparation, and additional service intervals may be needed given the maritime use. In general, IP ratings presuppose freshwater conditions VS maritime conditions, which are typically more “caustic” to IP fixtures (both internally and externally). A duty-cycle may also be needed when units are not in use. During times of high humidity and colder temperatures, condensation may occur internally so the fixture may require a duty-cycle to bring it up to running temperature, allowing any accumulation of moisture to be expelled via the vent valve. Recommendations can change based on installation environmental circumstances. A waterproof dome or similar device is recommended for use in permanent outdoor installations. When using a dome, refer to manufacturer recommendations for duty-cycle.

**NOTE: NOT ALL FEATURES LISTED ARE AVAILABLE ON ALL FIXTURES; THE FOLLOWING INSTRUCTIONS MAY NOT APPLY. CONTACT SUPPORT FOR ADDITIONAL DETAILS.**

**Exterior Maintenance:** Inspect the exterior every 30-days. The unit must be powered off/disconnected. The chassis should be inspected for any signs of contaminants. Inspect optics to determine if the lens is obstructed, then clean optics and chassis accordingly. Based on initial finding, schedule maintenance accordingly, keeping in mind that exterior maintenance will be required. Even if the luminaires are NOT in use, maintenance will still be needed given its location (exterior use). The use of a durable type of wax on the chassis is recommended since it will help prevent contaminant build up. Inspect both power and data lines for any signs of contaminants or corrosion. Periodically reapplying di-electric grease, especially in coastal environments. If any signs of corrosion/contaminants are present, clean thoroughly, and/or replace connectors, then reapply di-electric grease. Typically, this should be done annually, or any time an opportunity presents itself. As a preventive measure, annual replacement of both vent valves is recommended. The vent valve membrane can become contaminated and/or clogged causing improper venting of humidity within the luminaire. Inspect all mounting hardware as a precaution.

**Interior Maintenance:** Inspect the interior every 30-days. The unit must be powered off/disconnected.

- Inspect zoom/focus mechanism, clean optics, lubricate linear bearings (Krytox oil) as needed, inspect belts for wear
- Inspect all rotating effect wheels, manually rotate them, note any resistance
- Inspect all remaining rotating belts for any wear
- Inspect all fans, clean as needed, check rotation, check connections
- Inspect CMY module, manually move flags and check for signs of resistance, and if needed, clean guide rods first, then reapply a thin layer of grease (moly lube)
- Clean interior with low-volume compressed air, then clean optics prior to reassembly of head covers

Although the base has limited moving parts, the pan belt should also be inspected for wear. Remember to always perform an IP test anytime a cover is removed.

There is no specific time frame regarding the routine replacement of parts such as belts/stepper motors, PCBs, or LEDs. These items should only be replaced on an as needed bases, except for cooling fans, which should be replaced once the luminaries reach 10,000-hours. This is a prophylactic measure intended to keep the unit running as cool as possible, insuring proper function of all internal components. A complete service breakdown is available, please contact [service@elationlighting.com](mailto:service@elationlighting.com) for any needed parts or manuals.

## LIMITED WARRANTY (USA ONLY)

- A. Elation Professional hereby warrants, to the original purchaser, Elation Professional products to be free of manufacturing defects in material and workmanship for a period of two years (730 days), and Elation Professional product rechargeable batteries to be free of manufacturing defects in material and workmanship for a period of six months (180 days), from the original date of purchase. This warranty excludes discharge lamps and all product accessories. This warranty shall be valid only if the product is purchased within the United States of America, including possessions and territories. It is the owner's responsibility to establish the date and place of purchase by acceptable evidence, at the time service is sought.
- B. For warranty service, send the product only to the Elation Professional factory. All shipping charges must be pre-paid. If the requested repairs or service (including parts replacement) are within the terms of this warranty, Elation Professional will pay return shipping charges only to a designated point within the United States. If any product is sent, it must be shipped in its original package and packaging material. No accessories should be shipped with the product. If any accessories are shipped with the product, Elation Professional shall have no liability what so ever for loss and/or damage to any such accessories, nor for the safe return thereof.
- C. This warranty is void if the product serial number and/or labels are altered or removed; if the product is modified in any manner which Elation Professional concludes, after inspection, affects the reliability of the product; if the product has been repaired or serviced by anyone other than the Elation Professional factory unless prior written authorization was issued to purchaser by Elation Professional; if the product is damaged because not properly maintained as set forth in the product instructions, guidelines and/or user manual.
- D. This is not a service contract, and this warranty does not include any maintenance, cleaning or periodic check-up. During the periods as specified above, Elation Professional will replace defective parts at its expense, and will absorb all expenses for warranty service and repair labor by reason of defects in material or workmanship. The sole responsibility of Elation Professional under this warranty shall be limited to the repair of the product, or replacement thereof, including parts, at the sole discretion of Elation Professional. All products covered by this warranty were manufactured after January 1, 1990, and bare identifying marks to that effect.
- E. Elation Professional reserves the right to make changes in design and/or performance improvements upon its products without any obligation to include these changes in any products theretofore manufactured.
- F. No warranty, whether expressed or implied, is given or made with respect to any accessory supplied with the products described above. Except to the extent prohibited by applicable law, all implied warranties made by Elation Professional in connection with this product, including warranties of merchantability or fitness, are limited in duration to the warranty periods set forth above. And no warranties, whether expressed or implied, including warranties of merchantability or fitness, shall apply to this product after said periods have expired. The consumer's and/or dealer's sole remedy shall be such repair or replacement as is expressly provided above; and under no circumstances shall Elation Professional be liable for any loss and/or damage, direct and/or consequential, arising out of the use of, and/or the inability to use, this product.
- G. This warranty is the only written warranty applicable to Elation Professional products and supersedes all prior warranties and written descriptions of warranty terms and conditions heretofore published.

### WARRANTY RETURNS

All returned service items whether under warranty or not, must be freight pre-paid and accompany a return authorization (R.A.) number. The R.A. number must be clearly written on the outside of the return package. A brief description of the problem as well as the R.A. number must also be written down on a piece of paper and included in the shipping container. If the unit is under warranty, you must provide a copy of your proof of purchase invoice. Items returned without a R.A. number clearly marked on the outside of the package will be refused and returned at customer's expense. You may obtain a R.A. number by contacting customer support.

# SAFETY GUIDELINES

This fixture is a sophisticated piece of electronic equipment. To guarantee smooth operation, it is important to follow all instructions and guidelines in this manual. Elation Professional is not responsible for injury and/or damages resulting from the misuse of this fixture due to the disregard of the information printed in this manual. Only qualified and/or certified personnel should perform installation of this fixture and only the original rigging parts included with this fixture should be used for installation. Any modifications to the fixture and/or the included mounting hardware will void the original manufacturer's warranty and increase the risk of damage and/or personal injury.



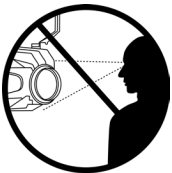
**PROTECTION CLASS 1 - FIXTURE MUST BE PROPERLY GROUNDED.**



**THERE ARE NO USER SERVICEABLE PARTS INSIDE THIS UNIT. DO NOT ATTEMPT ANY REPAIRS YOURSELF. DOING SO WILL VOID YOUR MANUFACTURER'S WARRANTY. DAMAGES RESULTING FROM MODIFICATIONS TO THIS DEVICE AND/OR THE DISREGARD OF SAFETY INSTRUCTIONS AND GUIDELINES IN THIS MANUAL VOID THE MANUFACTURER'S WARRANTY AND ARE NOT SUBJECT TO ANY WARRANTY CLAIMS AND/OR REPAIRS.**



**DO NOT PLUG THIS UNIT INTO A DIMMER PACK  
DO NOT REMOVE THE COVER UNDER ANY CONDITIONS  
NEVER OPERATE THIS UNIT WITH THE CASING REMOVED  
UNPLUG FROM POWER DURING LONG PERIODS OF NON-USE  
DISCONNECT POWER BEFORE PERFORMING MAINTENANCE**



**NEVER LOOK DIRECTLY INTO THE LIGHT SOURCE!  
RETINA INJURY RISK - MAY INDUCE BLINDNESS!  
SENSITIVE PERSONS MAY SUFFER AN EPILEPTIC SHOCK!**



**FIXTURE SHOULD BE PLACED A MINIMUM OF 1.0 FOOT (0.3 METERS) FROM ANY NEARLY OBJECTS OR SURFACES.  
FIXTURE SHOULD BE PLACED A MINIMUM OF 1.6 FEET (0.5 METERS) FROM ANY FLAMMABLE MATERIALS.  
MAXIMUM AMBIENT OPERATING TEMPERATURE IS 113°F (45°C)**

# SAFETY GUIDELINES

## CAUTION

### HIGH INTENSITY ULTRAVIOLET LIGHT



AVOID DIRECT EYE & SKIN EXPOSURE.  
WEAR PROPER EYE & SKIN PROTECTION.  
SEE MANUAL FOR SAFETY INSTRUCTIONS.

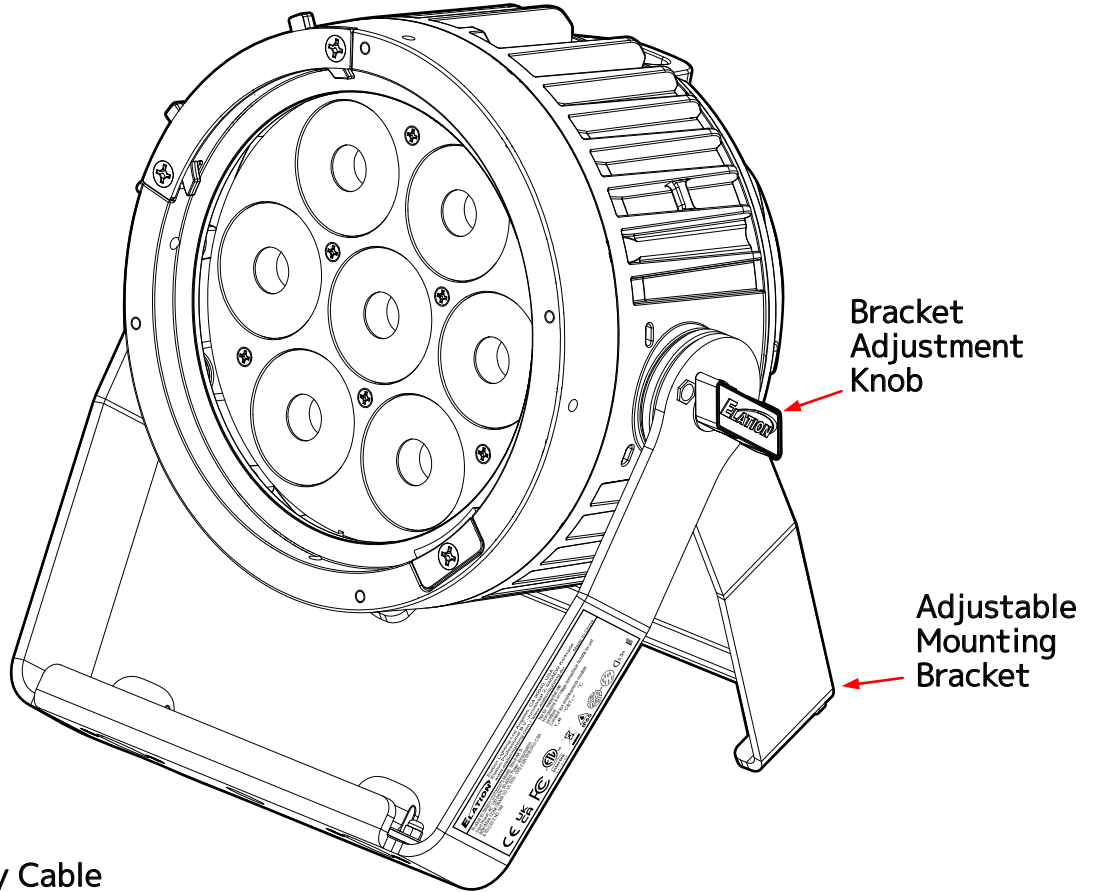
RISK GROUP 3 - RISK OF EXPOSURE TO ULTRAVIOLET UV RADIATION! FIXTURE EMITS HIGH INTENSITY WAVELENGTH OF ULTRAVIOLET UV LIGHT FROM THE UV COLOR FILTER. WEAR PROPER EYE AND SKIN PROTECTION. AVOID PROLONGED PERIODS OF EXPOSURE TO UV COLOR FILTER. AVOID WEARING WHITE COLOR CLOTHING AND/OR USING UV PAINTS ON SKIN. AVOID DIRECT EYE AND/OR SKIN EXPOSURE AT DISTANCES LESS THAN 10 feet (3m). DO NOT OPERATE FIXTURE WITH DAMAGED/MISSING EXTERNAL COVERS. DO NOT LOOK DIRECTLY INTO THE UV LIGHT AND/OR VIEW UV LIGHT DIRECTLY WITH OPTICAL INSTRUMENTS THAT MAY CONCENTRATE THE LIGHT/RADIATION OUTPUT.

INDIVIDUALS SUFFERING FROM A RANGE OF EYE CONDITIONS, SUNLIGHT EXPOSURE DISORDERS, OR INDIVIDUALS USING PHOTSENSITIVE MEDICATION, MAY RECEIVE DISCOMFORT IF EXPOSED TO THE ULTRAVIOLET UV LIGHT EMITTED FROM THE UV LED.

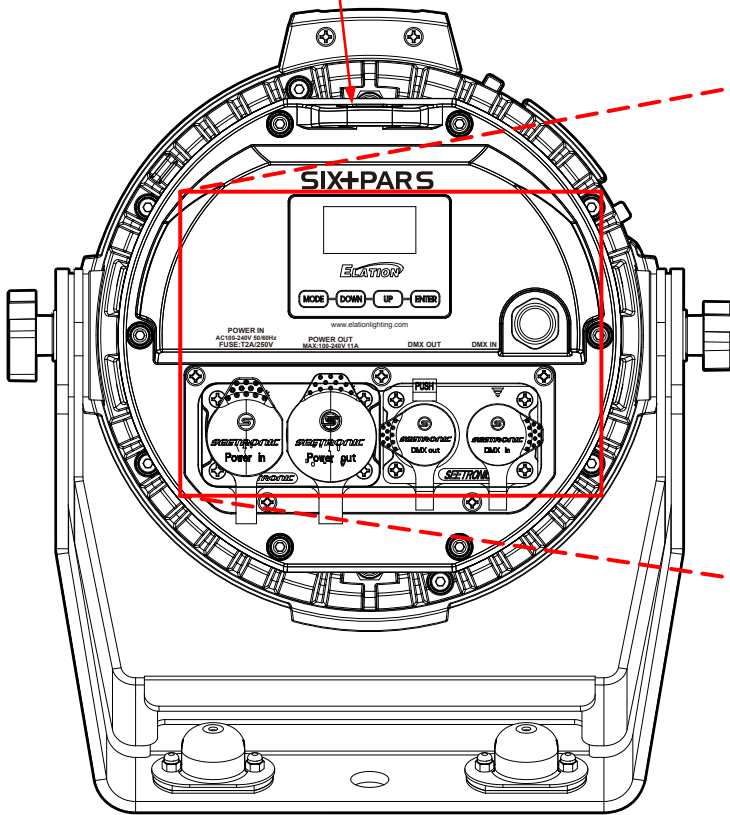
- **DO NOT TOUCH** the fixture housing during operation. Turn OFF the power and allow approximately 15 minutes for the fixture to cool down before serving.
- **DO NOT** shake fixture, avoid brute force when installing and/or operating fixture.
- **DO NOT** operate fixture if the power cord is frayed, crimped damaged and/or if any of the power cord connectors are damaged and do not insert into the fixture securely with ease.
- **NEVER** force a power cord connector into the fixture. If the power cord or any of its connectors are damaged, replace it immediately with a new one of similar power rating.
- **DO NOT** block any air ventilation slots.
- All fan and air inlets must remain clean and never blocked.
- Allow approx.6”(15cm) between fixture and other devices or a wall for proper cooling.
- Always disconnect fixture from main power source before performing any type of service and/or cleaning procedure. Only handle the power cord by the plug end, never pull out the plug by tugging the wire portion of the cord.
- During the initial operation of this fixture, a light smoke or smell may emit from the interior of the fixture. This is a normal process and is caused by excess paint in the interior of the casing burning off from the heat associated with the lamp and will decrease gradually over time.
- Consistent operational breaks will ensure the fixture will function properly for many years.
- **ONLY** use the original packaging and materials to transport the fixture in for service.



# OVERVIEW

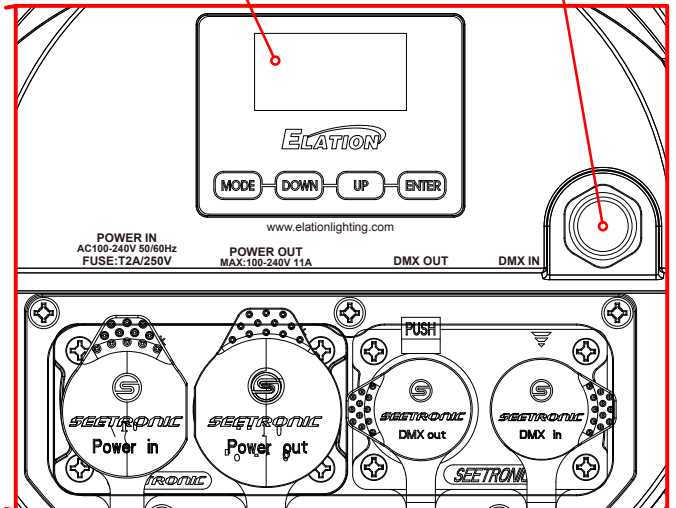


Safety Cable Attachment Point



Display Screen

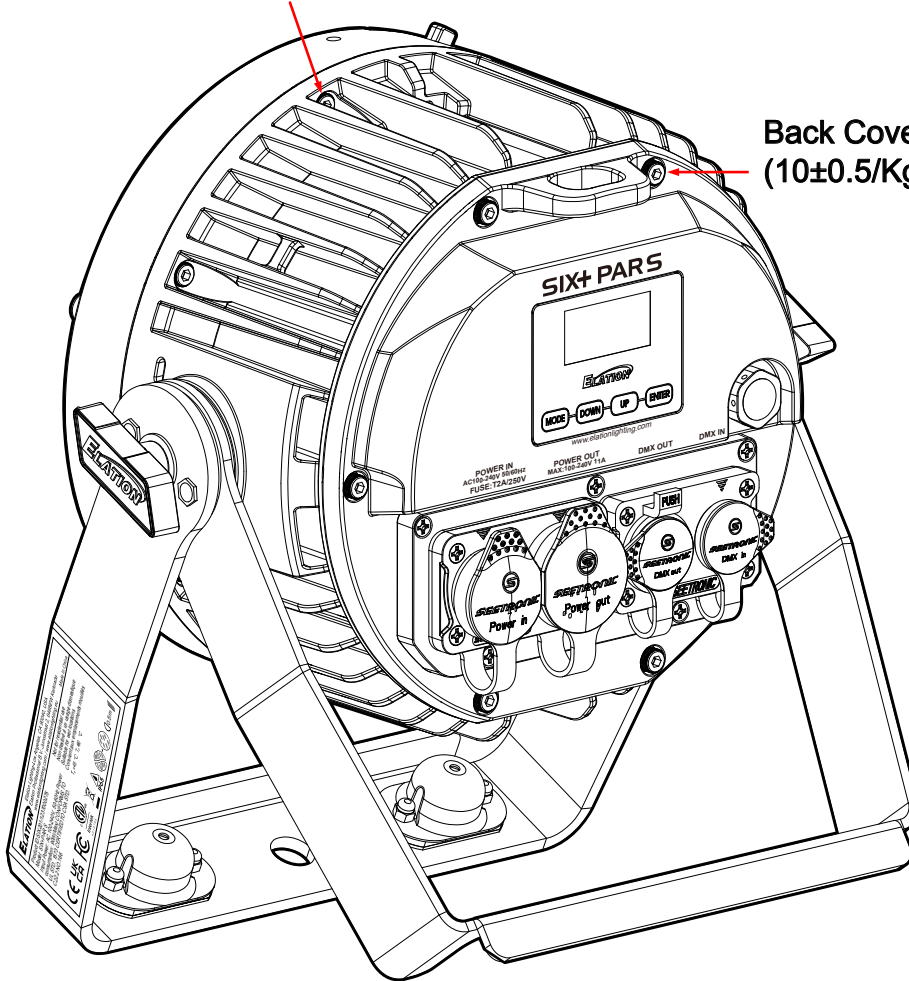
Pressure Valve



# TORQUE SETTINGS FOR SCREWS

Front Cover:  
( $10 \pm 0.5$ /Kgf.cm)

Back Cover:  
( $10 \pm 0.5$ /Kgf.cm)



**CAUTION! DO NOT OVER TORQUE SCREWS AS THIS CAN CAUSE LEAKAGE ISSUES!  
TO CONFIRM THE IP65 INTEGRITY, TEST FIXTURE USING THE ELATION IP TESTER. CONTACT  
ELATION SERVICE FOR MORE DETAILS.**

# IP TEST PARAMETERS

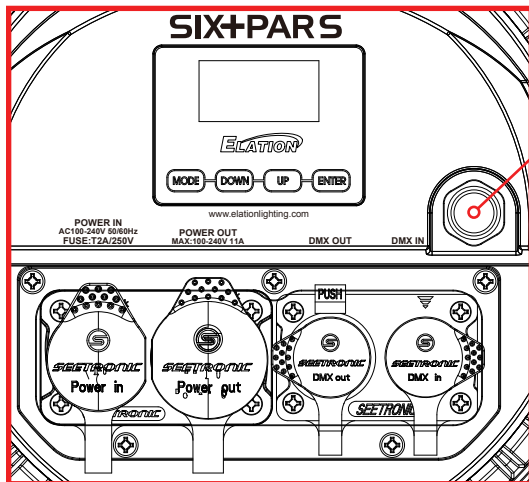
Following any repair or maintenance procedure that requires disassembly of the fixture, use Elation's IP Tester to confirm the IP integrity of the fixture. The air valve is located on the back panel next to the display screen, as shown in the diagram below. Please contact Elation Service for information regarding the Elation IP Tester, or visit the product information page online at: <https://www.elationlighting.com/ip-tester>



**CAUTION! THE USE OF PROTECTIVE GLOVES AND SAFETY GOGGLES IS STRONGLY RECOMMENDED WHILE PERFORMING THE IP PRESSURE TEST! AVOID PLACING YOUR FACE, EYES, HANDS, ETC IN PROXIMITY TO THE LENS OF THE FIXTURE WHILE PERFORMING THE TEST!**

**DE-HUMIDIFICATION:** IP65 fixtures operating in high-humidity environments may experience residual fogging or condensation. Such fogging will not affect the fixture, and can be removed using the following procedure: position the unit with the air valve pointing upwards, then open the air valve and run the unit for 1-2 hours after reaching operating temperature. Then, while the fixture is still hot, re-install the air valve and allow the unit to cool down. Please note: this procedure should be performed in a dry, climate-controlled environment. Avoid additional fogging by drying the fixture completely before placing into a road case.

Elation Product	Minimum Value		Maximum Value		Inflation Time	Balance Time	Inspection Time	Leakage
	Kpa	Psi	Kpa	Psi	S	S	S	Pa
Elation Six+ PAR S	20	3	23	3	30	15	15	>100



Pressure Valve



# INSTALLATION GUIDELINES



## FLAMMABLE MATERIAL WARNING

Keep fixture minimum 5.0 feet (1.5m) away from flammable materials and/or pyrotechnics.



## ELECTRICAL CONNECTIONS

A qualified electrician should be used for all electrical connections and/or installations.



## MINIMUM DISTANCE TO OBJECTS/SURFACES IS 1 FOOT (0.3 METERS)



## MINIMUM DISTANCE OF FLAMMABLE MATERIALS FROM THE SURFACE IS 1.6 FEET (0.5 METER)



## MAXIMUM AMBIENT TEMPERATURE 113° F (45°C)



## DO NOT INSTALL THE FIXTURE IF YOU ARE NOT QUALIFIED TO DO SO!

Fixture **MUST** be installed following all local, national, and country commercial electrical and construction codes and regulations.

Before rigging/mounting a single fixture or multiple fixtures to any metal truss/structure or placing the fixture(s) on any surface, a professional equipment installer **MUST** be consulted to determine if the metal truss/structure or surface is properly certified to safely hold the combined weight of the fixture(s), clamps, cables, and accessories.

Fixture(s) should be installed in areas outside walking paths, seating areas, or away from areas where unauthorized personnel might reach the fixture by hand.

**NEVER** stand directly below the fixture(s) when rigging, removing, or servicing.

Overhead fixture installation must always be secured with a secondary safety attachment, such as an appropriately rated safety cable.

Allow approximately 15 minutes for the fixture to cool down before serving.

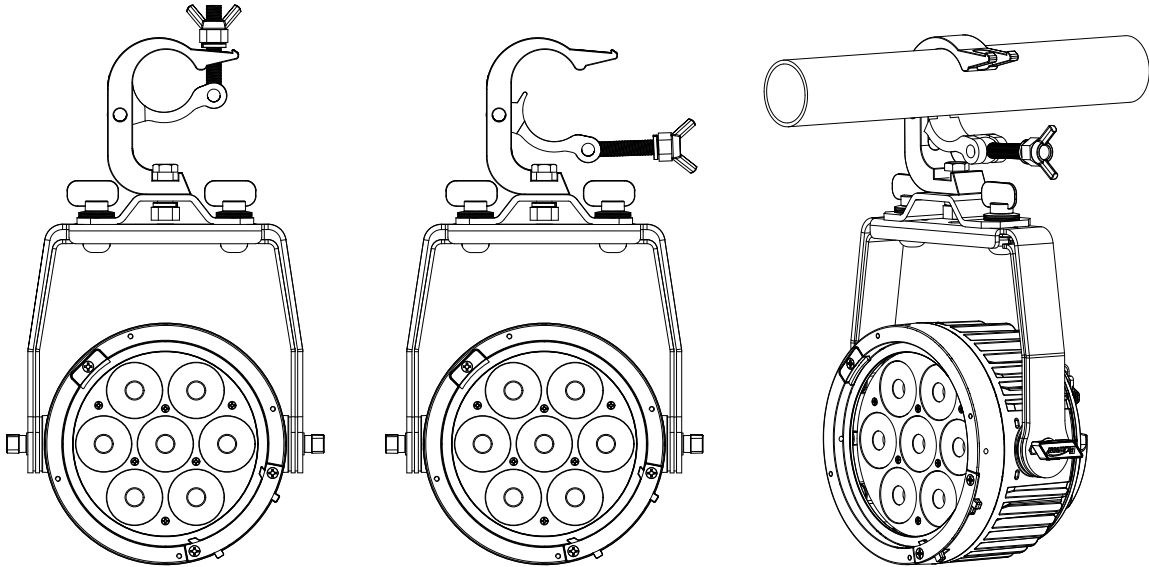
# INSTALLATION GUIDELINES

## CLAMP INSTALLATION

This device features a mounting clamp attachment point built into the mounting bracket, as well as a safety cable attachment point located on the rear face of the fixture above the control panel.

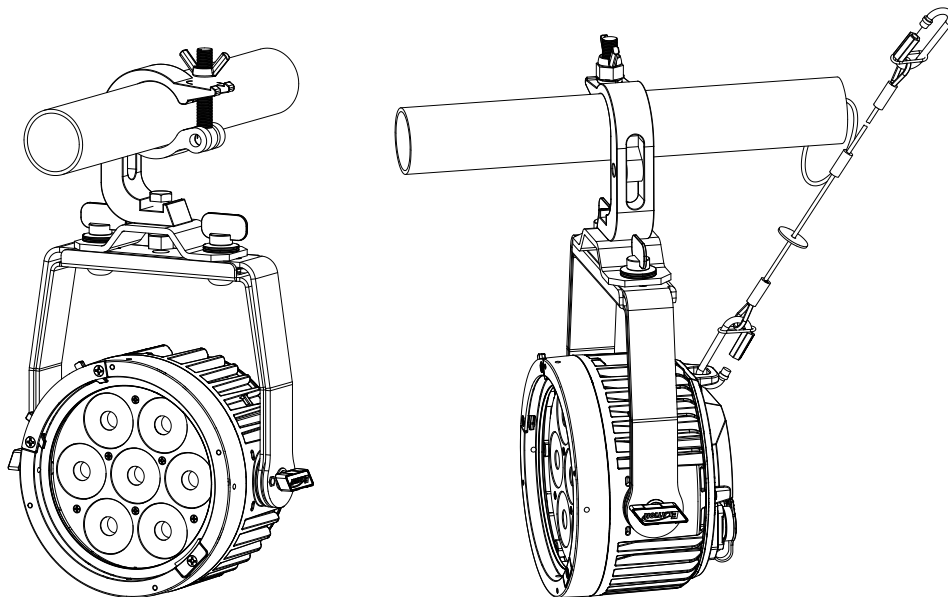
## OMEGA BRACKETS WITH CLAMP INSTALLATION

Insert the Omega Brackets into the matching holes on the yoke. Secure the Omega Brackets to the fixture by turning each quick-lock fastener ¼ turn clockwise; making sure the fastener is completely locked. Omega Brackets can be installed into the fixture base as illustrated below.



## SAFETY CABLE

**ALWAYS ATTACH AN APPROPRIATELY RATED SAFETY CABLE WHENEVER INSTALLING THIS FIXTURE IN A SUSPENDED ENVIRONMENT TO ENSURE THE FIXTURE WILL NOT FALL IF THE CLAMP FAILS.**



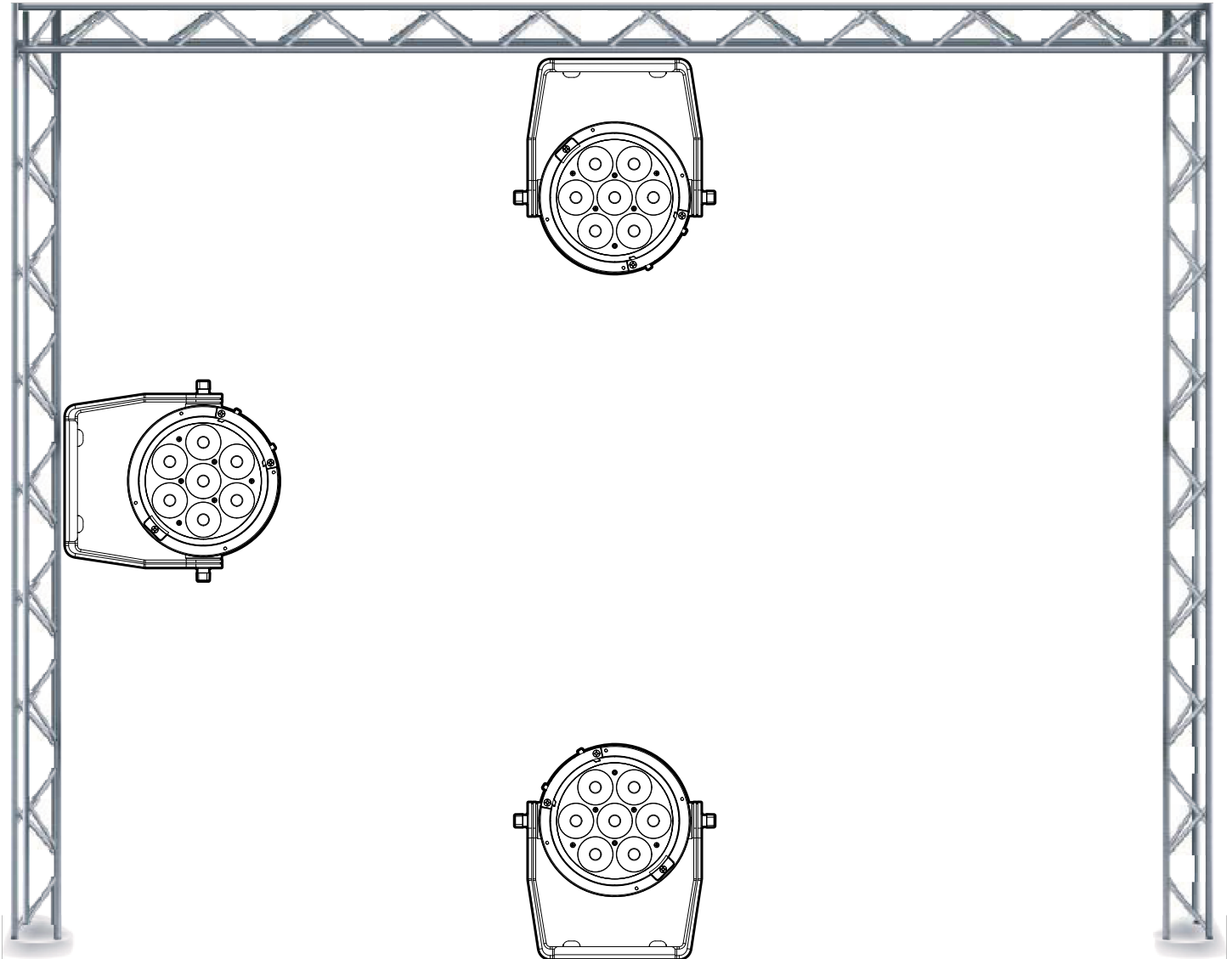
## MOUNTING THE FIXTURE ON A TRUSS USING CLAMPS WITH OMEGA BRACKETS

When mounting the fixture to a truss, be sure to secure an appropriately rated professional grade rigging clamp to the included **Omega Brackets** using an M10 or M12 screw fitted through the center hole of the **Omega Brackets**. The fixture provides a built-in rigging point for a **SAFETY CABLE** (not included). Be sure to use the designated rigging points for the safety cable and never secure a safety cable to a carrying handle.

# INSTALLATION GUIDELINES

## FIXTURE INSTALLATION

The Elation SIX+ PAR 5 is fully operational in three different mounting positions, hanging upside-down, mounted sideways on trussing, or set on a flat level surface. Be sure this fixture is kept at least 0.2m (7.9in.) away from any flammable materials (decoration etc.). Always use and install the supplied safety cable as a safety measure to prevent accidental damage and/or injury in the event the clamp fails. Never use the carrying handles for secondary attachment.



**FALLING FIXTURES CAN CAUSE SEVERE INJURY OR SERIOUS EQUIPMENT DAMAGE! FOR THIS REASON, FIXTURES SHOULD BE INSTALLED AND INSPECTED ONLY BY QUALIFIED PERSONNEL. DO NOT INSTALL THE UNIT IF YOU LACK THE QUALIFICATIONS TO DO SO, OR IF YOU HAVE DOUBTS ABOUT THE SAFETY AND SECURITY OF THE INSTALLATION SETUP OR LOCATION!**



**ALWAYS ATTACH A SAFETY CABLE WHENEVER INSTALLING THIS FIXTURE IN A SUSPENDED ENVIRONMENT TO ENSURE THE FIXTURE WILL NOT FALL IF THE CLAMP FAILS.**

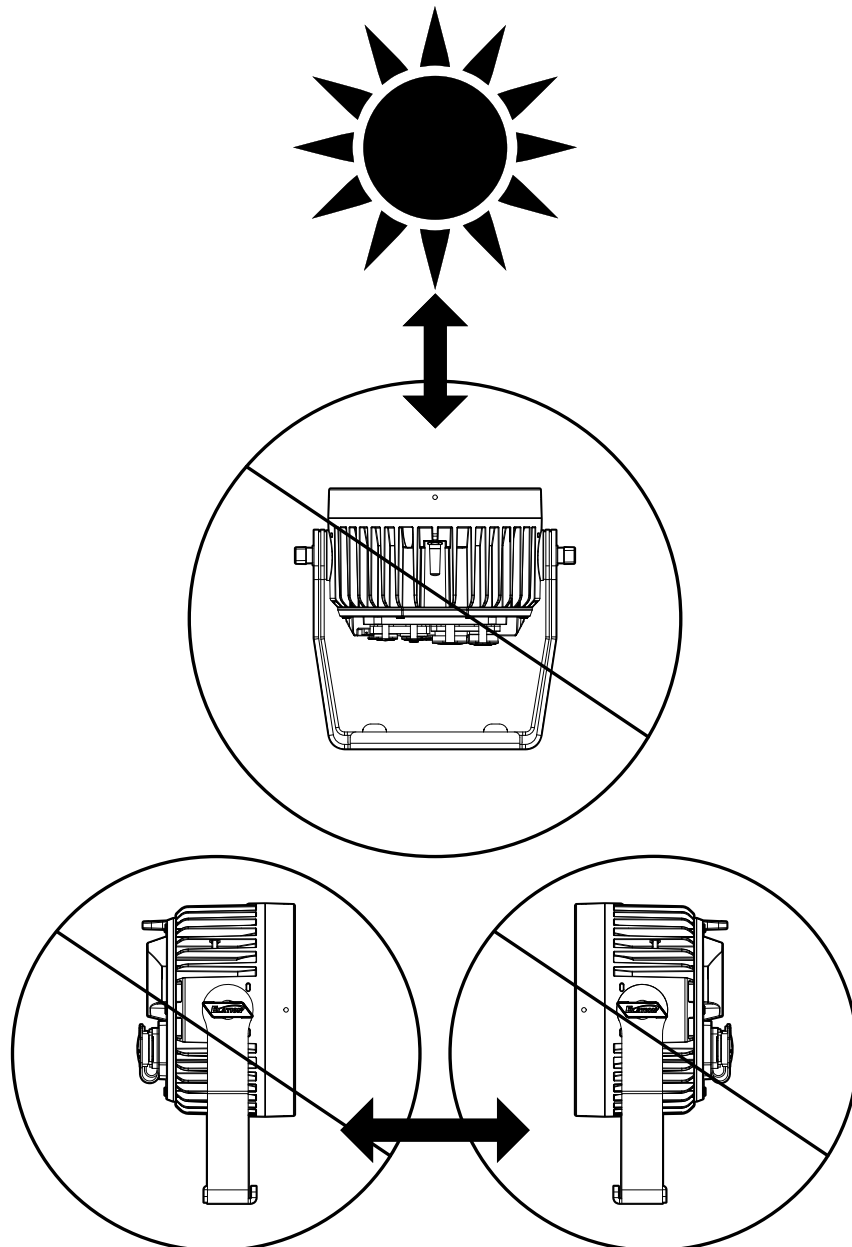
# INSTALLATION GUIDELINES

## POTENTIAL INTERNAL FIXTURE DAMAGE FROM EXTERNAL SOURCES OF LIGHT BEAMS

External sources of light beams from direct sunlight, lighting moving head fixtures, and lasers, which are focused directly towards the exterior housing and/or penetrate the front lens opening of ELATION lighting fixtures, can cause severe internal damage including burning to optics, dichroic color filters, glass and metal gobos, prisms, animation wheels, frost filters, iris, shutters, motors, belts, wiring, discharge lamps, and LEDs.

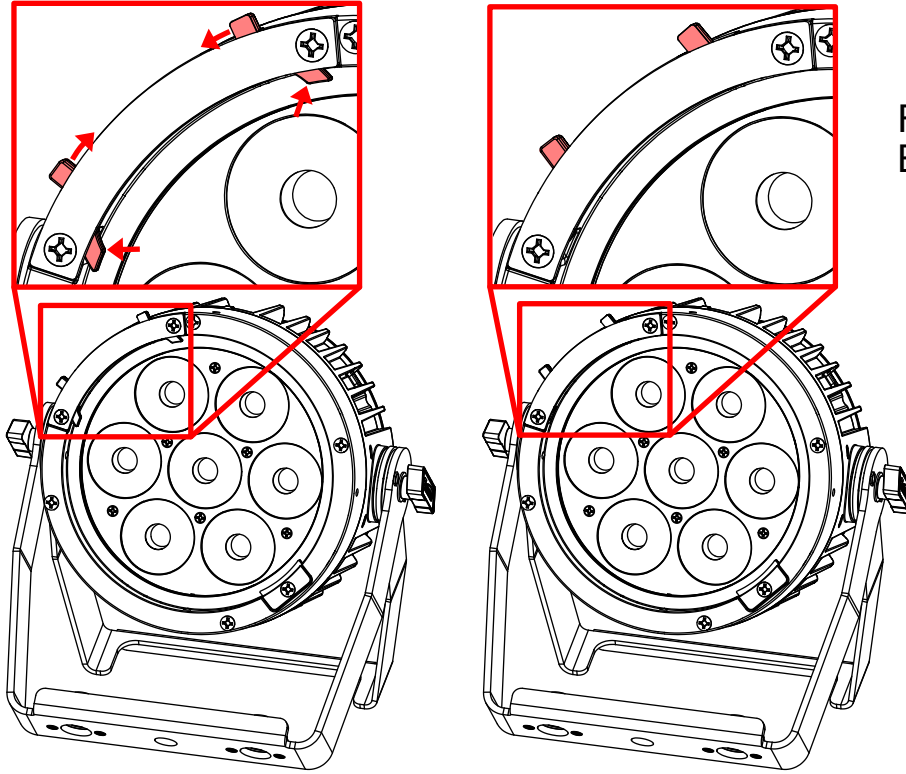
This issue is not specific only to ELATION lighting fixtures, it is a common issue with lighting fixtures from all manufacturers. Although there is no true way to fully prevent this issue from happening, the guidelines below can prevent any potential damage from occurring if followed. Contact ELATION Service for more details.

**DO NOT EXPOSE THE FIXTURE AND/OR FRONT LENS OPENING TO LIGHT BEAMS FROM DIRECT SUNLIGHT, OTHER LIGHTING MOVING HEAD FIXTURES, AND LASERS WHILE UNPACKING, INSTALLATION, USE, AND EXTENDED IDLE TIMES OUTDOORS. DO NOT FOCUS A LIGHT BEAM FROM ONE LIGHTING FIXTURE DIRECTLY TOWARDS ANOTHER.**



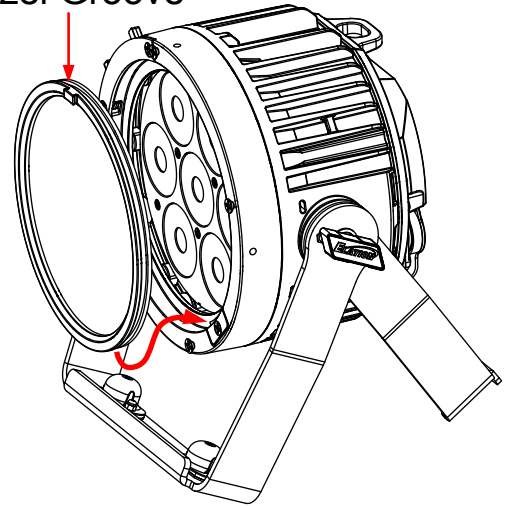
# ACCESSORY INSTALLATION - FROST LENS

1. Slide lock levers inward to retract the locking tabs.

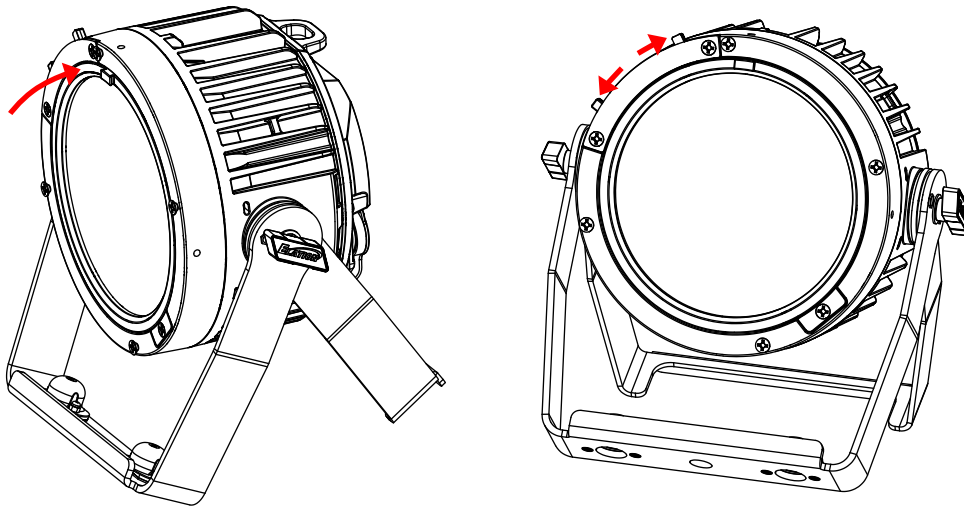


2. Install the Frost Lens by angling the bezel groove of the Frost Lens into the tab and levering it into place.

Frost Lens  
Bezel Groove

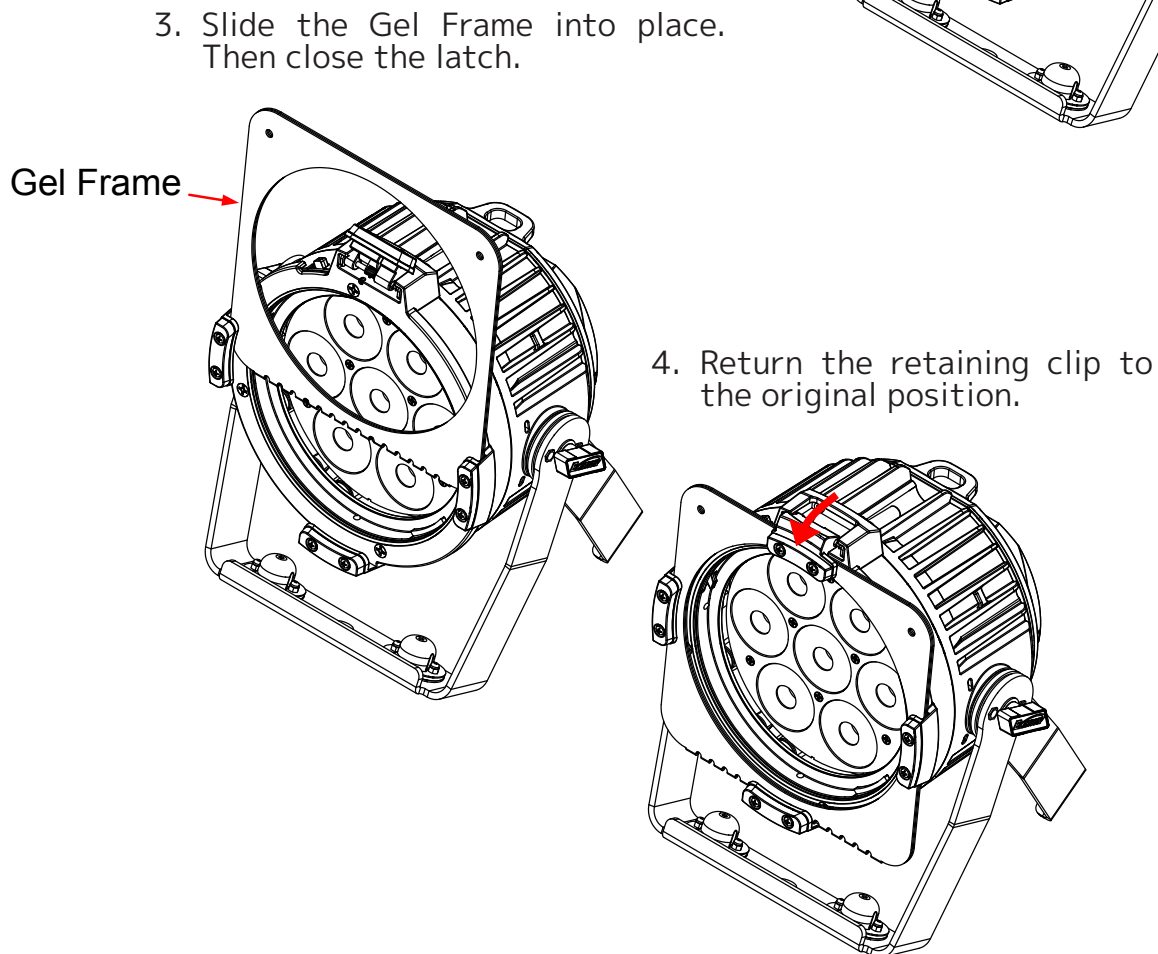
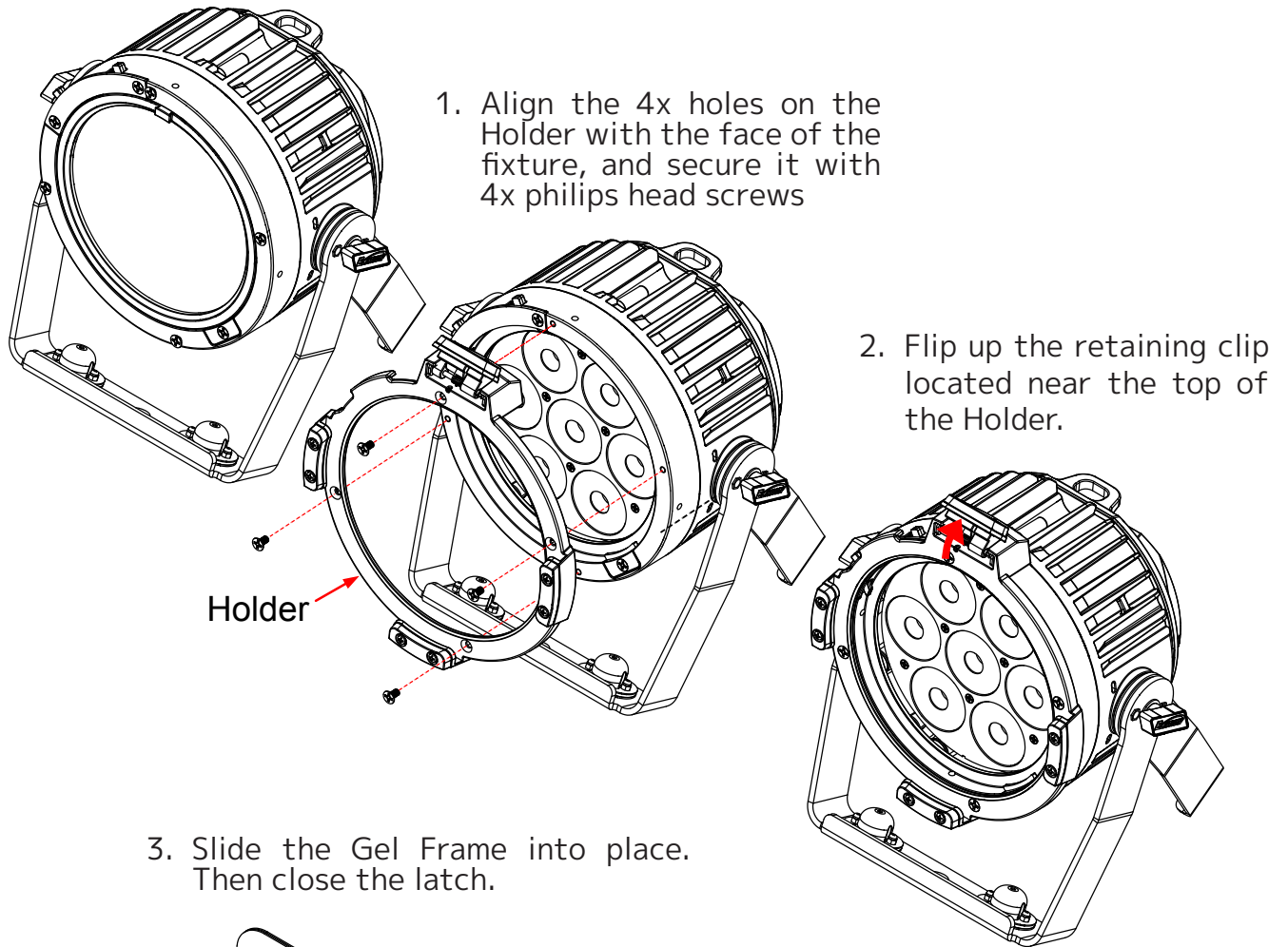


3. With the Frost Lens installed, slide levers outward to lock it in place.





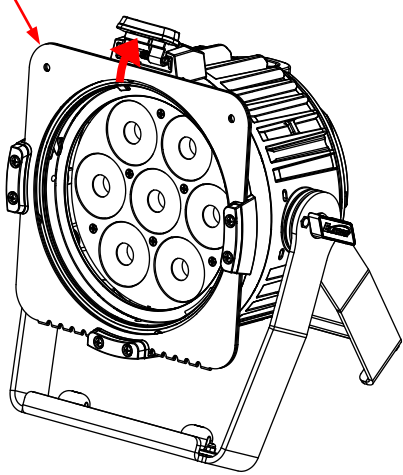
# ACCESSORY INSTALLATION - GEL FRAME



# ACCESSORY INSTALLATION - BARNDOOR

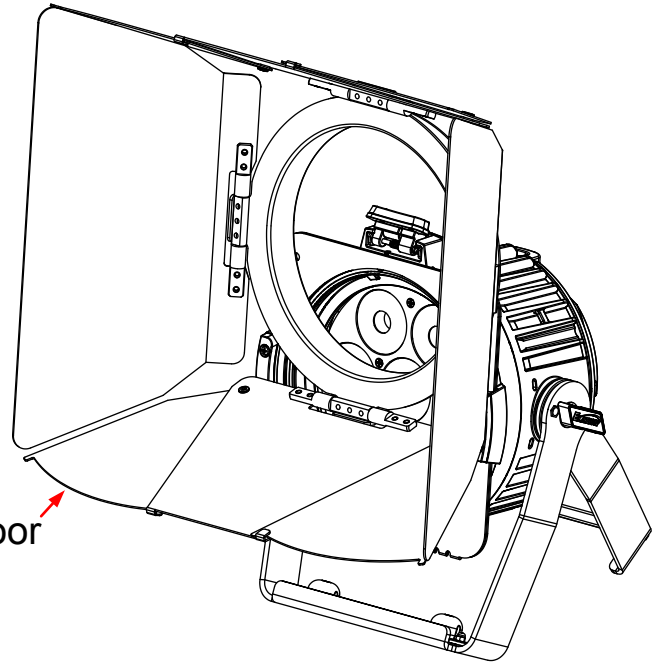
1. Flip open the retaining clip located near the top of the lens.

Gel Frame

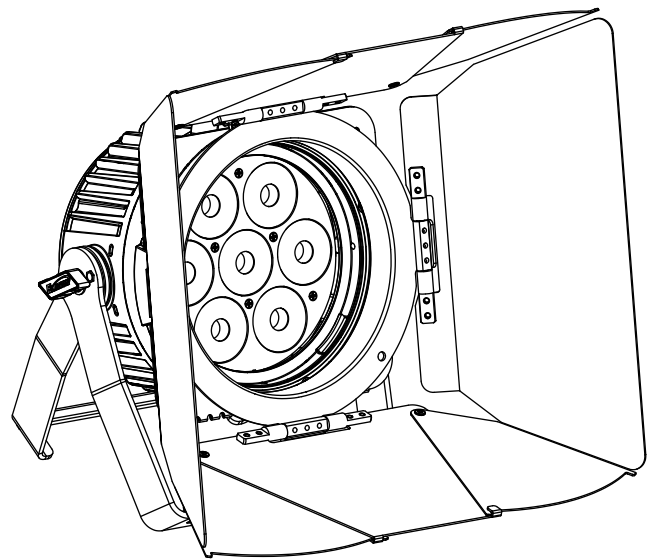
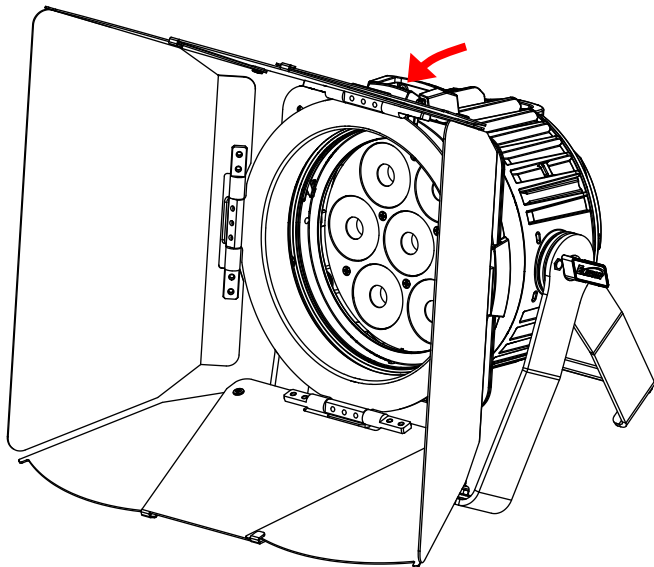


2. Slide the barndoor into place in front of the Gel Frame.

Barndoor



3. Return the retaining clip to the original position to lock the barndoor in place.



# REMOTE DEVICE MANAGEMENT (RDM)

**NOTE: In order for RDM to work properly, RDM enabled equipment must be used throughout the entire system, including DMX data splitters and wireless systems.**

Remote Device Management (RDM) is a protocol that sits on top of the DMX512 data standard for lighting, and allows the DMX systems of the fixtures to be modified and monitored remotely. This protocol is ideal for instances in which a unit is installed in a location that is not easily accessible.

With RDM, the DMX512 system becomes bi-directional, allowing a compatible RDM enabled controller to send out a signal to devices on the wire, as well as allowing the fixture to respond (known as a GET command). The controller can then use its SET command to modify settings that would typically have to be changed or viewed directly via the unit's display screen, including the DMX Address, DMX Channel Mode, and Temperature Sensors.

## FIXTURE RDM INFORMATION:

Device ID	Device Model ID	RDM Code	Personality ID
30	48	0000-FFFF	22A6

Please be aware that **not all RDM devices support all RDM features**, and therefore it is important to check beforehand to ensure that the equipment that you are considering includes all of the features that you require.

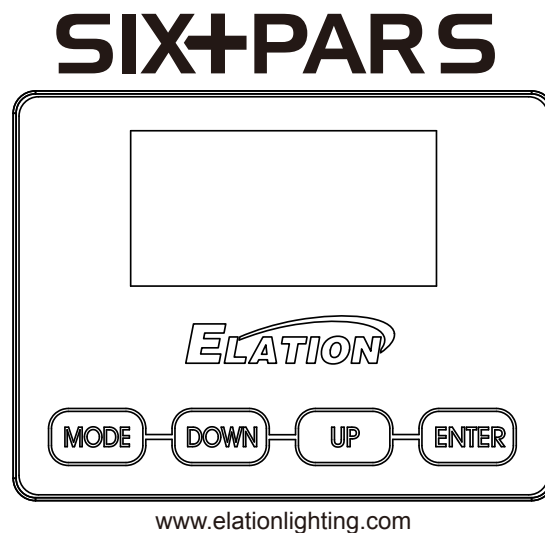
The following parameters are accessible in RDM on this device:

[0x0122] Default Slot Value	[0x0400] Device Hours
[0x00C2] Boot Software Version Label	[0x0015] Comms Status
[0x00C1] Boot Software Version ID	[0x0031] Status ID Description
[0x0070] Product Detail ID List	[0x0032] Clear Status ID
[0x0030] Status Messages	[0x0401] Lamp Hours
[0x0011] Proxied Device Count	[0x0402] Lamp Strikes
[0x0200] Sensor Definition	[0x0403] Lamp State
[0x0201] Sensor Value	[0x0404] Lamp Mode
[0x0080] Device Model Description	[0x0405] Device Power Cycles
[0x0081] Manufacturer Label	[0x0500] Display Invert
[0x0082] Device Label	[0x0501] Display Level
[0x00E0] DMX Personality	[0x0603] Realtime Clock
[0x00E1] DMX Personality Description	[0x1010] Power State

# SYSTEM MENU

The fixture includes an easy to navigate system menu. The control panel display is located on the rear panel of the fixture (see image below) and provides access to the main system menu, where all necessary system adjustments are made to the fixture. During normal operation, pressing the MODE button once will access the fixture's main menu. Once in the main menu you can navigate through the different functions and access the sub-menus with the DOWN and UP buttons. Once you reach a field that requires adjusting, press the ENTER button to activate that field and use the DOWN and UP buttons to adjust the field. Pressing the ENTER button once more will confirm the setting. Exit the main menu at any time without making any adjustments by pressing the MODE button.

The display screen will shut OFF automatically after 30 seconds of inactivity. To turn the display back on, press and hold the MODE button for 10 seconds.



**PLEASE NOTE:** For units installed in an outdoor setting, the display screen and control panel may interpret a raindrop as a command input and change the fixture's setting (phantom touch) if the display screen is not locked. The default setting for this unit is to have the display screen unlocked. To avoid unintentional command inputs, the Screen Lock setting should be configured so that the screen and control will lock after the selected period of inactivity. This setting can be changed by navigating to **Settings > Display > Screen Lock** in the main system menu.



**AN ELATION C-LOADER II CAN ALSO BE USED TO UPDATE THE FIXTURE TO THE LATEST SOFTWARE.** To order this device, please contact Elation Support for further details.

Detailed instructions can be found online at [www.elationlighting.com](http://www.elationlighting.com).

**ELATION SERVICE USA - Monday - Friday 8:00am to 4:30pm PST**  
323-582-3322 | Fax 323-832-9142 | support@elationlighting.com

**ELATION SERVICE EUROPE - Monday - Friday 08:30 to 17:00 CET**  
+31 45 546 85 63 | Fax +31 45 546 85 96 | support@elationlighting.eu

# SYSTEM MENU

MAIN MENU		OPTIONS / VALUES (Default Settings in <b>BOLD</b> )	
DMX	DMX Address	<b>001</b> - 512	
	DMX Mode	1CH Dimmer	
		3CH RGB	
		9CH RGB Extended	
		6CH Color	
		9CH Color & Dimmer	
		11CH CMY	
		14CH CMY Extended	
		<b>14CH Standard</b>	
		20CH Extended	
	SixPar Emulation (See Emulated DMX Traits on page 28)	6 Channel	
7 Channel			
8 Channel			
12 Channel			
No DMX Status	<b>Hold Last</b>		
	Fade to Black		
	Standalone		
Protocol	Select Signal	<b>DMX</b> / Aria In - DMX Out / DMX In - Aria Out	
Aria	Aria Channel	<b>0</b> -14	
Control	Manual Control	Dimmer 0-255	000% - <b>100%</b>
		Red 0-255	0 - <b>255</b>
		Green 0-255	0 - <b>255</b>
		Blue 0-255	0 - <b>255</b>
		Lime 0-255	0 - <b>255</b>
		Amber 0-255	0 - <b>255</b>
		UV 0-255	<b>0</b> - 255
		CCT	2400K - 8500K (Default = <b>6000K</b> ).
		Green Shift	-100% ~ +100% (Default = <b>0</b> )
	Virtual Color	See <b>Color Macros</b>	
	Primary	On / <b>Off</b>	
	Secondary	On / <b>Off</b>	
	Self Test	All	
		Dimmer	
Color			
Settings	Dim Modes	<b>Standard</b>	
		Stage	
		TV	
		Architectural	
		Theatre	
		Stage 2	
		Dim Speed	0s - 10s (Default = <b>0.1s</b> )
	Dim Curves	Linear	
		Square	
		Square Inverse	
		<b>S-Curve</b>	
	LED Refresh Rate	900Hz - 1500Hz, 2500Hz, 4000Hz, 5000Hz, 6000Hz, 10KHz, 15KHz, 20KHz, 25KHz (Default = <b>1200 Hz</b> )	
	LED Power Limit	50%	
		60%	
		70%	
		80%	
		90%	
	<b>100%</b>		
Display	Screen Delay	10s - 5min (Default = <b>1 min</b> )	
	Screen Lock	<b>Off</b> , 10s - 5 min, Key Lock	
	Rotate Display	Yes / <b>No</b> / Auto	
Reset Defaults	Yes / <b>No</b>		

# SYSTEM MENU

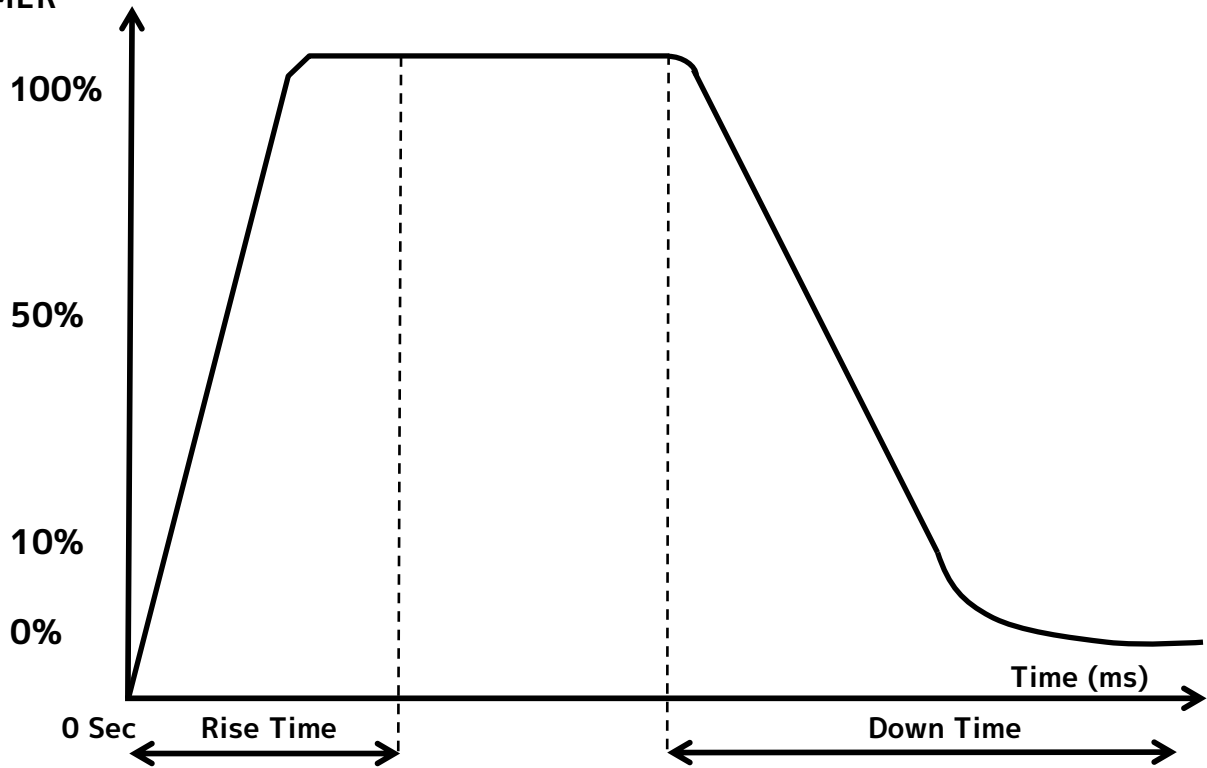
MAIN MENU	OPTIONS / VALUES (Default Settings in <b>BOLD</b> )		
<b>Information</b>	Time	Current Run Time	
		Total Run Time	
		Last Run Time	
	Temperature	Current	
		Max Resettable	
	DMX Values	Red	
		Green	
		...	
Product IDs	RDM UID		
Error Logs	Fixture Errors		
Software Version	Vx.x		
<b>Service (Passcode = 050)</b>	Aria Activation	<b>On</b> / Off	
	Calibration	Red 000 - 255	
		Green 000 - 255	
		Blue 000 - 255	
		Lime 000 - 255	
		Amber 000 - 255	
		UV 000 - 255	
	Reset Last Run	Yes / No	
Reset Error Logs	Yes / No		

## NOTE ON EMULATION DMX TRAITS (see page 28)

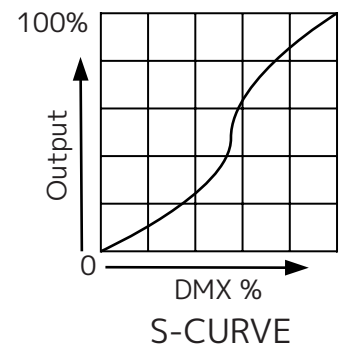
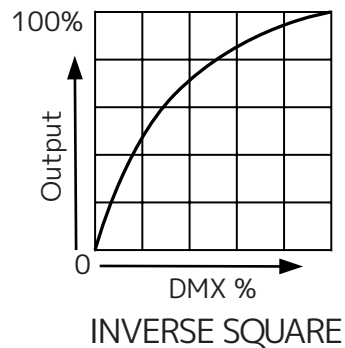
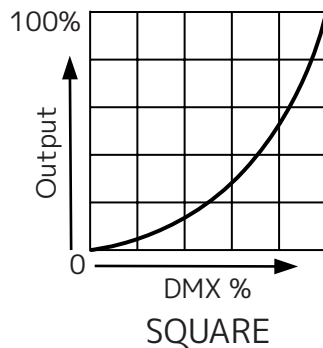
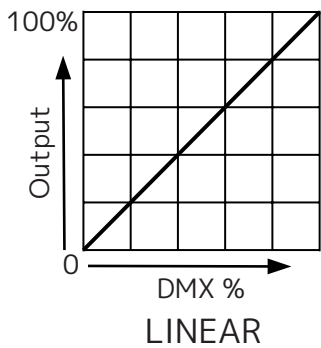
To ensure the SIX+ PAR S can be integrated seamlessly alongside original SixPar fixtures, great care has been taken to ensure that the new LED array colors match the original. A unique SixPar Emulation DMX mode has been developed, so that the new fixtures can be controlled with the same DMX mapping as the original. The color mixing has also been calibrated to virtually emulate the White LED included in the SixPar array and an output limit master setting has been added so your new lights don't overpower any older fixtures in the rig.

# DIMMER MODES & CURVES

DIMMER



Dimming Curve Ramp Effect	0 sec Fade Time		1 sec Fade Time	
	Rise Time (ms)	Down Time (ms)	Rise Time (ms)	Down Time (ms)
Standard (default)	0	0	0	0
Stage	780	1100	1540	1660
TV	1180	1520	1860	1940
Architectural	1380	1730	2040	2120
Theatre	1580	1940	2230	2280
Stage 2	0	1100	0	1660



# DMX TRAITS

Dim. 1CH	RGB 3CH	RGB Ext. 9CH	Color 6CH	Color & Dim. 9CH	CMY 11CH	CMY Ext. 14CH	Std. 14CH	Ext. 20CH	DMX Values	Function	Snap	Default Value
1		1		1	1	1	1	1	0-255	<b>Dimmer</b> Intensity 0 → 100%		0
		2		2	2	2	2	2	0-255	<b>Dimmer Fine</b> Fine Intensity Control		0
		3		3	3	3	3	3	0-31	<b>Shutter/Strobe</b> Shutter closed		50
									32-63	No function (shutter open)		
									64-95	Strobe effect slow to fast		
									96-127	No function (shutter open)		
									128-159	Pulse-effect in sequences		
									160-191	No function (shutter open)		
									192-223	Random strobe effect slow to fast		
									224-255	No function (shutter open)		
	1	4	1	4			4	4	0-255	<b>Red</b> 0 → 100%		0
		5						5	0-255	<b>Red Fine</b> Fine Adjustment		0
	2	6	2	5			5	6	0-255	<b>Green</b> 0 → 100%		0
		7						7	0-255	<b>Green Fine</b> Fine Adjustment		0
	3	8	3	6			6	8	0-255	<b>Blue</b> 0 → 100%		0
		9						9	0-255	<b>Blue Fine</b> Fine Adjustment		0
			4	7			7	10	0-255	<b>Lime</b> 0 → 100%		0
								11	0-255	<b>Lime Fine</b> Fine Adjustment		0
			5	8			8	12	0-255	<b>Amber</b> 0 → 100%		0
								13	0-255	<b>Amber Fine</b> Fine Adjustment		0
			6	9			9	14	0-255	<b>UV</b> 0 → 100%		0
								15	0-255	<b>UV Fine</b> Fine Adjustment		0
					4	4			0-255	<b>Cyan</b> 0 → 100%		0
						5			0-255	<b>Cyan Fine</b> Fine Adjustment		0
					5	6			0-255	<b>Magenta</b> 0 → 100%		0
						7			0-255	<b>Magenta Fine</b> Fine Adjustment		0
					6	8			0-255	<b>Yellow</b> 0 → 100%		0
						9			0-255	<b>Yellow Fine</b> Fine Adjustment		0
					7	10	10	16	0-23	<b>Variable CCT</b> Open		0
									24-85	2400K → 8500K (See Sheet)		
									86-255	8500K		
					8	11	11	17	0	<b>CCT Cross Fade</b> CCT	X	0
									255	Color Mix		



# DMX TRAITS

Dim. 1CH	RGB 3CH	RGB Ext. 9CH	Color 6CH	Color & Dim. 9CH	CMY 11CH	CMY Ext. 14CH	Std. 14CH	Ext. 20CH	DMX Values	Function	Snap	Default Value
					9	12	12	18		<b>Color</b>		0
									0	Open		
									1-179	Virtual Swatch Book (See Table)		
										<b>Color Scroll</b>		
									180-201	Clockwise Fast → Slow		
									202-207	Stop		
									208-229	Counter-clockwise Slow → Fast		
									230-234	Open		
										<b>Random Slots</b>		
									235-239	Fast		
									240-244	Medium		
									245-249	Slow		
									250-255	Open		
					10	13	13	19		<b>Dim Modes</b>		X
									0-20	Standard		
									21-40	Stage		
									41-60	TV		
									61-80	Architectural		
									81-100	Theatre		
									101-120	Stage 2		
										<b>Dimmer Delay Time</b>		
									121	0s		
									122	0.1s		
									123	0.2s		
									124	0.3s		
									125	0.4s		
									126	0.5s		
									127	0.6s		
									128	0.7s		
									129	0.8s		
									130	0.9s		
									131	1.0s		
									132	1.5s		
									133	2.0s		
									134	3.0s		
									135	4.0s		
									136	5.0s		
									137	6.0s		
									138	7.0s		
									139	8.0s		
									140	9.0s		
									141	10s		
									141-255	Idle		

# DMX TRAITS

Dim. 1CH	RGB 3CH	RGB Ext. 9CH	Color 6CH	Color & Dim. 9CH	CMY 11CH	CMY Ext. 14CH	Std. 14CH	Ext. 20CH	DMX Values	Function	Snap	Default Value
										<b>Control</b>		
									0-99	Idle		
										<b>Refresh Rate (Hz)</b>		
									100	900		
									101	910		
									102	920		
									103	930		
									104	940		
									105	950		
									106	960		
									107	970		
									108	980		
									109	990		
									110	1000		
									111	1010		
									112	1020		
									113	1030		
									114	1040		
									115	1050		
					11	14	14	20	116	1060	X	0
									117	1070		
									118	1080		
									119	1090		
									120	1100		
									121	1110		
									122	1120		
									123	1130		
									124	1140		
									125	1150		
									126	1160		
									127	1170		
									128	1180		
									129	1190		
									130	1200		
									131	1210		
									132	1220		
									133	1230		
									134	1240		
									135	1250		
									136	1260		

# DMX TRAITS

Dim. 1CH	RGB 3CH	RGB Ext. 9CH	Color 6CH	Color & Dim. 9CH	CMY 11CH	CMY Ext. 14CH	Std. 14CH	Ext. 20CH	DMX Values	Function	Snap	Default Value
									137	1270		
									138	1280		
									139	1290		
									140	1300		
									141	1310		
									142	1320		
									143	1330		
									144	1340		
									145	1350		
									146	1360		
									147	1370		
									148	1380		
									149	1390		
									150	1400		
									151	1410		
									152	1420		
									153	1430		
									154	1440		
									155	1450		
					11	14	14	20	156	1460	X	0
									157	1470		
									158	1480		
									159	1490		
									160	1500		
									161	2500		
									162	4000		
									163	5000		
									164	6000		
									165	10000		
									166	15000		
									167	20000		
									168	25000		
									169-200	Idle		
										<b>Dimmer Curves</b>		
									201-210	Dimmer Curve: Linear (Default)		
									211-220	Dimmer Curve: Square		
									221-230	Dimmer Curve: Inverse Square		
									231-240	Dimmer Curve: S-Curve		
									241-255	Idle		

# EMULATION DMX TRAITS

6 ch	7 CH	8 CH	12 CH	Value	Function	Snap	Default Value
1	1	1	1	0-255	<b>Red</b> 0 → 100%		0
2	2	2	2	0-255	<b>Green</b> 0 → 100%		0
3	3	3	3	0-255	<b>Blue</b> 0 → 100%		0
4	4	4	4	0-255	<b>White</b> 0 → 100%		0
5	5	5	5	0-255	<b>Amber</b> 0 → 100%		0
6	6	6	6	0-255	<b>UV</b> 0 → 100%		0
	7	7	7	0-255	<b>Master Dimmer</b> Intensity 0 → 100%		0
					<b>Shutter/Strobe</b>		
				0-31	Shutter Open		
				32-95	Strobe effect slow to fast		
				96-127	No function (shutter open)		
				128-159	Pulse-effect in sequences		
				160-191	No function (shutter open)		
				192-223	Random strobe effect slow to fast		
				224-255	No function (shutter open)		
					<b>Color Macros</b>		
				0-3	OFF		
				4-7	RED		
				8-11	GREEN		
				12-15	BLUE		
				16-19	WHITE		
				20-23	AMBER		
				24-27	UV		
				28-31	RED + GREEN		
				32-35	RED + BLUE		
				36-39	RED + WHITE		
				40-43	RED + AMBER		
				44-47	RED + UV		
				48-51	GREEN + BLUE		
				52-55	GREEN + WHITE		
			9	56-59	GREEN + AMBER		
				60-63	GREEN + UV	X	0
				64-67	BLUE + WHITE		
				68-71	BLUE + AMBER		
				72-75	BLUE + UV		
				76-79	WHITE + AMBER		
				80-83	WHITE + UV		
				84-87	AMBER + UV		
				88-91	RED + GREEN + BLUE		
				92-95	RED + GREEN + WHITE		
				96-99	RED + GREEN + AMBER		
				100-103	RED + GREEN + UV		
				104-107	RED + BLUE + WHITE		
				108-111	RED + BLUE + AMBER		
				112-115	RED + BLUE + UV		
				116-119	RED + WHITE + AMBER		
				120-123	RED + WHITE + UV		

# EMULATION DMX TRAITS

6 ch	7 CH	8 CH	12 CH	Value	Function	Snap	Default Value
			9	124-127	RED + AMBER + UV	X	0
				128-131	GREEN + BLUE + WHITE		
				132-135	GREEN + BLUE + AMBER		
				136-139	GREEN + BLUE + UV		
				140-143	GREEN + WHITE + AMBER		
				144-147	GREEN + WHITE + UV		
				148-151	GREEN + AMBER + UV		
				152-155	BLUE + WHITE + AMBER		
				156-159	BLUE + WHITE + UV		
				160-163	BLUE + AMBER + UV		
				164-167	WHITE + AMBER + UV		
				168-171	RED + GREEN + BLUE + WHITE		
				172-175	RED + GREEN + BLUE + AMBER		
				176-179	RED + GREEN + BLUE + UV		
				180-183	RED + GREEN + WHITE + AMBER		
				184-187	RED + GREEN + WHITE + UV		
				188-191	RED + GREEN + AMBER + UV		
				192-195	RED + BLUE + WHITE + AMBER		
				196-199	RED + BLUE + WHITE + UV		
				200-203	RED + BLUE + AMBER + UV		
				204-207	RED + WHITE + AMBER + UV		
				208-211	GREEN + BLUE + WHITE + AMBER		
				212-215	GREEN + BLUE + WHITE + UV		
				216-219	GREEN + BLUE + AMBER + UV		
				220-223	GREEN + WHITE + AMBER + UV		
				224-227	BLUE + WHITE + AMBER + UV		
				228-231	RED + GREEN + BLUE + WHITE + AMBER		
				232-235	RED + GREEN + BLUE + WHITE + UV		
				236-239	RED + GREEN + BLUE + AMBER + UV		
				240-243	RED + GREEN + WHITE + AMBER + UV		
			244-247	RED + BLUE + WHITE + AMBER + UV			
			248-251	GREEN + BLUE + WHITE + AMBER + UV			
			252-255	RED + GREEN + BLUE + WHITE + AMBER + UV			
			10	<b>Color Chase Macros</b>		X	0
				0-20	No Function		
				21-40	30 Color Chase		
				41-60	6 Color Chase		
				61-80	Color Fade Chase		
			81-255	No Function			
			11	<b>Color Chase Macro Speed</b>			
				0-255	Color Chase Speed Slow to Fast		
			12	<b>Dimming Modes</b>		X	0
				0-20	Standard		
				21-40	Stage		
				41-60	TV		
				61-80	Architectural		
				81-100	Theatre		
			101-255	No Function			

# COLOR TEMPERATURE

DMX VALUE	COLOR TEMPERATURE (K)	DMX VALUE	COLOR TEMPERATURE (K)
24	2400	63	6300
25	2500	64	6400
26	2600	65	6500
27	2700	66	6600
28	2800	67	6700
29	2900	68	6800
30	3000	69	6900
31	3100	70	7000
32	3200	71	7100
33	3300	72	7200
34	3400	73	7300
35	3500	74	7400
36	3600	75	7500
37	3700	76	7600
38	3800	77	7700
39	3900	78	7800
40	4000	79	7900
41	4100	80	8000
42	4200	81	8100
43	4300	82	8200
44	4400	83	8300
45	4500	84	8400
46	4600	85	8500
47	4700		
48	4800		
49	4900		
50	5000		
51	5100		
52	5200		
53	5300		
54	5400		
55	5500		
56	5600		
57	5700		
58	5800		
59	5900		
60	6000		
61	6100		
62	6200		

# VIRTUAL COLORS

VALUE	FILTER #	COLOR	VALUE	FILTER #	COLOR
1	7	Pale Yellow	31	126	Mauve
2	103	Straw	32	49	Medium Purple
3	151	Gold Tint	33	58	Lavender
4	100	Spring Yellow	34	199	Palace Blue
5	10	Medium Yellow	35	119	Dark Blue
6	101	Yellow	36	132	Medium Blue
7	104	Deep Amber	37	120	Deep Blue
8	15	Deep Straw	38	165	Daylight Blue
9	179	Loving Amber	39	161	Slate Blue
10	21	Gold Amber	40	118	Light Blue
11	105	Orange	41	68	Sky Blue
12	158	Deep Orange	42	143	Pale Navy Blue
13	22	Dark Amber	43	131	Marine Blue
14	778	Millennium Gold	44	115	Peacock Blue
15	135	Deep Golden Amber	45	172	Lagoon Blue
16	24	Scarlet	46	116	Medium Blue Green
17	106	Primary Red	47	90	Dark Yellow Green
18	26	Bright Red	48	139	Primary Green
19	27	Medium Red	49	122	Fern Green
20	19	Fire	50	89	Moss Green
21	157	Pink	51	124	Dark Green
22	36	Medium Pink	52	88	Mint Green
23	111	Dark Pink	53	138	Pale Green
24	128	Bright Pink	54	203	Quarter CT Blue
25	148	Bright Rose	55	202	Half CT Blue
26	332	Special Rose Pink	56	201	FULL CT Blue
27	793	Vanity Fair	57	200	Double CT Blue
28	113	Magenta	58	206	Quarter CT Orange
29	46	Dark Magenta	59	205	Half CT Orange
30	48	Rose Purple	60	204	FULL CT Orange

# MAINTENANCE GUIDELINES



**DISCONNECT POWER BEFORE PERFORMING ANY MAINTENANCE!**

## **CLEANING**

Frequent cleaning is recommended to ensure proper function, optimized light output, and an extended life. The frequency of cleaning depends on the environment in which the fixture operates: damp, smoky or particularly dirty environments can cause greater accumulation of dirt on the fixture's optics. Clean periodically with a soft cloth to avoid dirt/debris accumulation.

**NEVER** use alcohol, solvents, or ammonia-based cleaners.

## **MAINTENANCE**

Regular inspections are recommended to insure proper function and extended life. There are no user serviceable parts inside this fixture. Please refer all other service issues to an authorized Elation service technician. Should you need any spare parts, please order genuine parts from an authorized Elation dealer.

Please refer to the following points during routine inspections:

- A detailed electrical check by an approved electrical engineer every three months, to make sure the circuit contacts are in good condition and prevent overheating.
- Be sure all screws and fasteners are securely tightened at all times. Loose screws may fall out during normal operation, resulting in damage or injury as larger parts could fall.
- Check for any deformations on the housing, color lenses, rigging hardware and rigging points (ceiling, suspension, trussing). Deformations in the housing could allow for dust to enter into the fixture. Damaged rigging points or unsecured rigging could cause the fixture to fall and seriously injure a person(s).
- Electric power supply cables must not show any damage, material fatigue or sediments.



# SPECIFICATIONS

## SOURCE

(7) x 20W RGBLA+ UV LEDs  
30,000 Hour Average LED Life\*

\*May vary depending on several factors including but not limited to: Environmental Conditions, Power/Voltage, Usage Patterns (On-Off Cycling), Control and Dimming.

## PHOTOMETRIC DATA

3200 Total Lumen Output  
CRI - 93

## EFFECTS

Electronic Dimmer and Strobe  
Variable 16-bit Dimming Modes and Curves

## COLOR

RGBLA+ UV Color Array  
CMY Emulation  
Variable CCT 2400K - 8500K  
Virtual Gel Swatch Book

## CONTROL / CONNECTIONS

9 DMX Channel Modes (1ch, 3ch, 9ch, 6ch, 9ch, 11ch, 14ch, 14ch, 20ch)  
4 SixPar Emulation DMX Channel Modes (6ch, 7ch, 8ch, 12ch)  
Manual and DMX Controlled Dimmer and Color  
4 Button Control Panel, LED Display  
Aria x2 Wireless Device Management  
RDM (Remote Device Management)  
5pin DMX and IP65 Locking Power Cable In/Out

## SIZE / WEIGHT

Length: 7.4" (188.0mm)  
Width: 9.7" (247.1mm)  
Vertical Height: 9.1" (230.0mm)  
Weight: 9.48 lbs / 4.30kg

## ELECTRICAL / THERMAL

AC 100-240V - 50/60Hz  
100W Max Power Consumption  
Power Thru Capacity: 12 units @ 110V; 28 units @ 240V  
5°F to 113°F (-15°C to 45°C)  
BTU/hr (+/- 10%) 341

## INCLUDED ITEMS

22° Lens  
Safety Cable  
IP65 Locking Power Cable

## OPTIONAL ITEMS

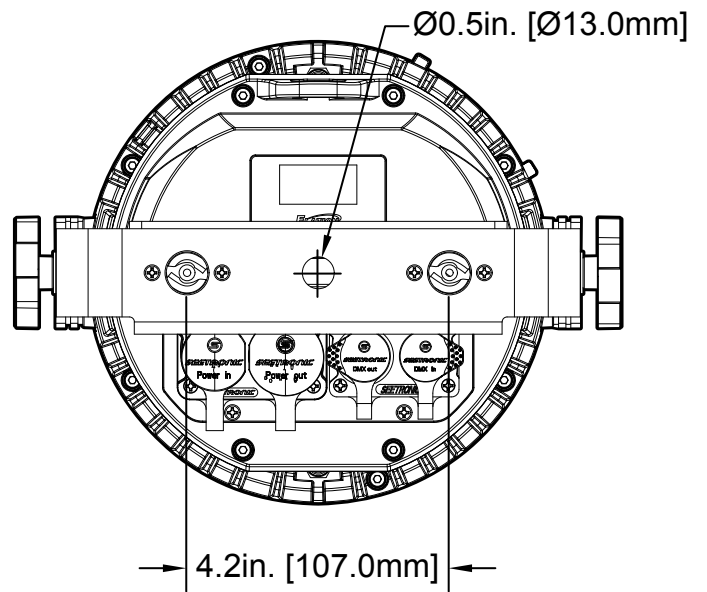
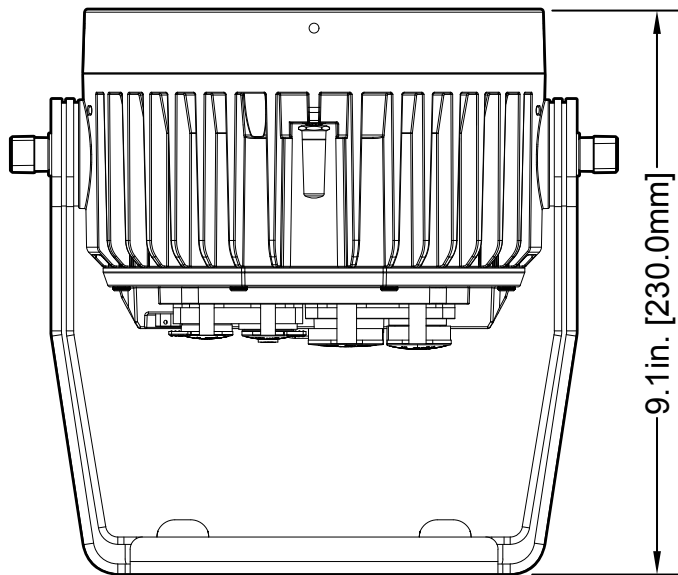
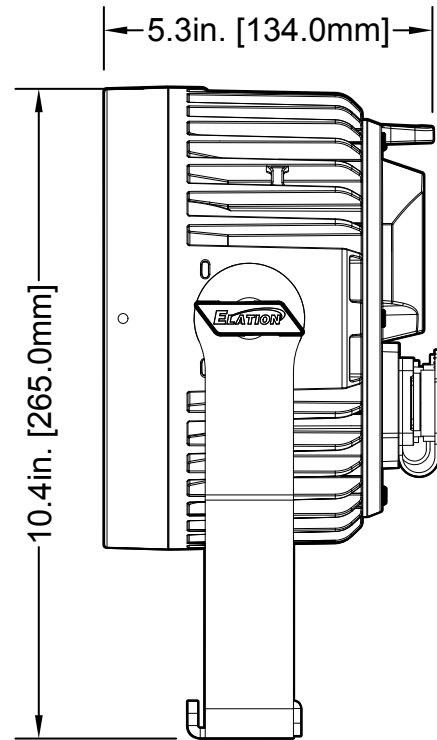
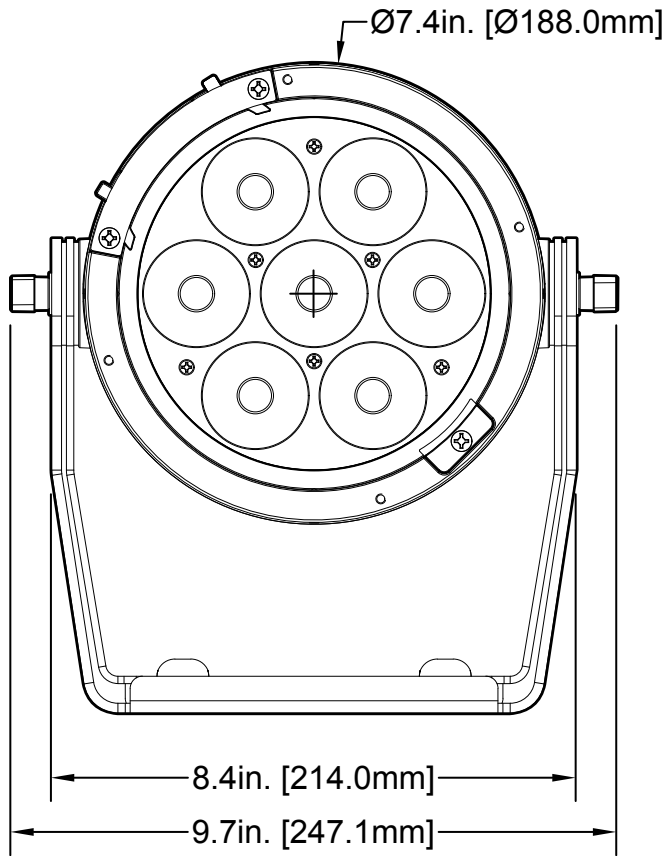
60° Lens (SIX+S WFL)  
100° Lens (SIX+S XFL)  
1°x 40° Lens (SIX+S L140)  
10°x 60° Lens (SIX+S L1060)  
Gel Frame & Holder Kit (SIX+S GFK)  
7.5" Black Barndoor  
4 Wire Hardwire Installation Plate (HWP404)  
2 Wire Hardwire Installation Plate (HWP202)  
#8050000053 - Omega Bracket

## APPROVALS / RATINGS

CE | cETLus | UL | IP65c | FCC | UKCA

# DIMENSION DRAWINGS

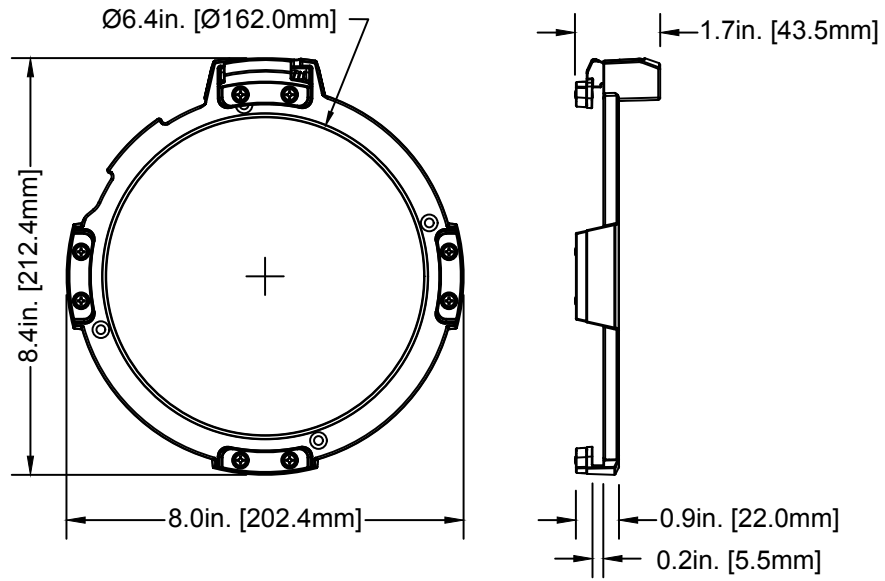
Drawings not to scale



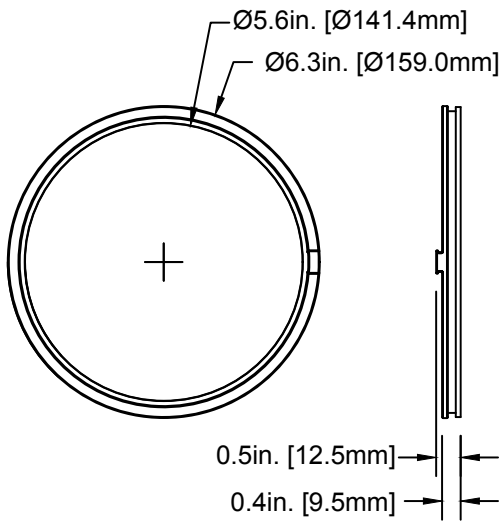
# DIMENSION DRAWINGS

Drawings not to scale

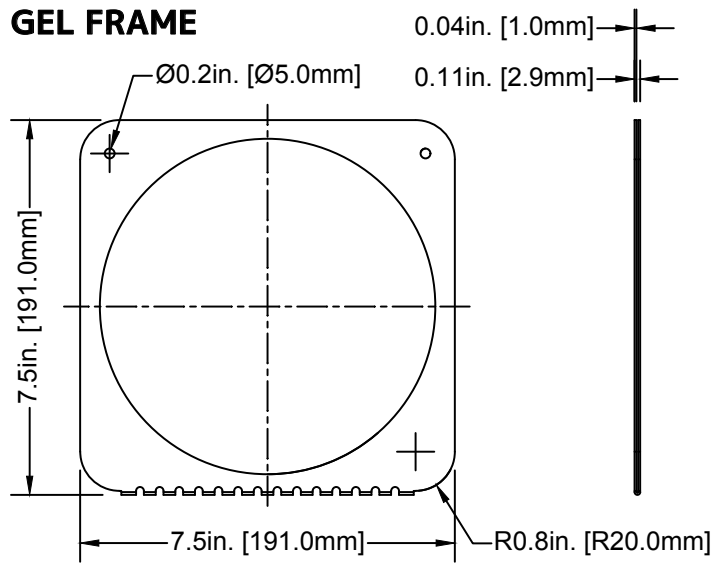
## HOLDER



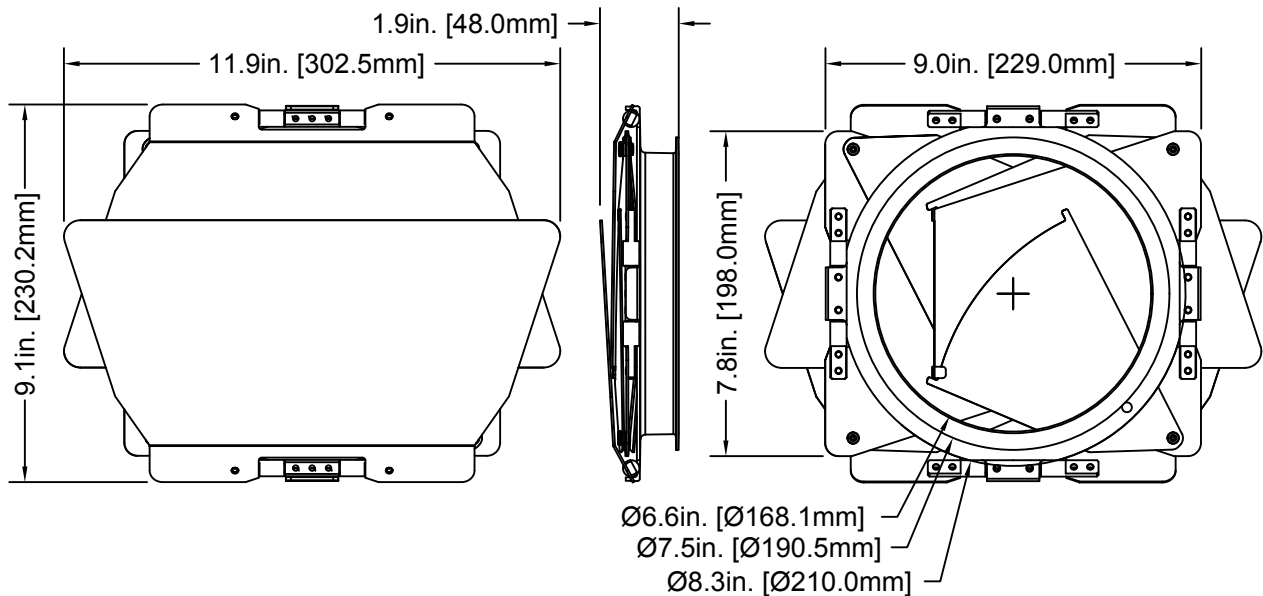
## FROST FILTER



## GEL FRAME



## BARNDOOR



# ORDERING INFORMATION

SKU US/EU		ITEM DESCRIPTION
SIX201	1237000275	SIX+ PAR S
SIX+S WFL	1223200104	60° lens
SIX+S XFL	1223200105	100° Lens
SIX+S L1060	1223200102	10°x60° Lens
SIX+S L140	1223200103	1°x40° Lens
SIX+S GFK	1621000164	Gel Frame Holder & Bumper
HWP404	PENDING	4 Wire Hardwire Plate
HWP202	PENDING	2 Wire Hardwire Plate

## ERROR CODES

CODE	ERROR
TEMP	Temperature Error



### FCC STATEMENT

This device complies with Part 15 of the FCC Rules. Operation is subject to the following two conditions: (1) this device may not cause harmful interference, and (2) this device must accept any interference received, including interference that may cause undesired operation.

### FCC RADIO FREQUENCY INTERFERENCE WARNINGS & INSTRUCTIONS

This product has been tested and found to comply with the limits as per Part 15 of the FCC Rules. These limits are designed to provide reasonable protection against harmful interference in a residential installation. This device uses and can radiate radio frequency energy and, if not installed and used in accordance with the included instructions, may cause harmful interference to radio communications. However, there is no guarantee that interference will not occur in a particular installation. If this device does cause harmful interference to radio or television reception, which can be determined by turning the device off and on, the user is encouraged to try to correct the interference by one or more of the following methods:

- Reorient or relocate the device.
- Increase the separation between the device and the receiver.
- Connect the device to an electrical outlet on a circuit different from which the radio receiver is connected.
- Consult the dealer or an experienced radio/TV technician for help.

### Energy Saving Matters (EuP 2009/125/EC)

Saving electric energy is a key to help protecting the environment. Please turn off all electrical products when they are not in use. To avoid power consumption in idle mode, disconnect all electrical equipment from power when not in use. Thank you!

