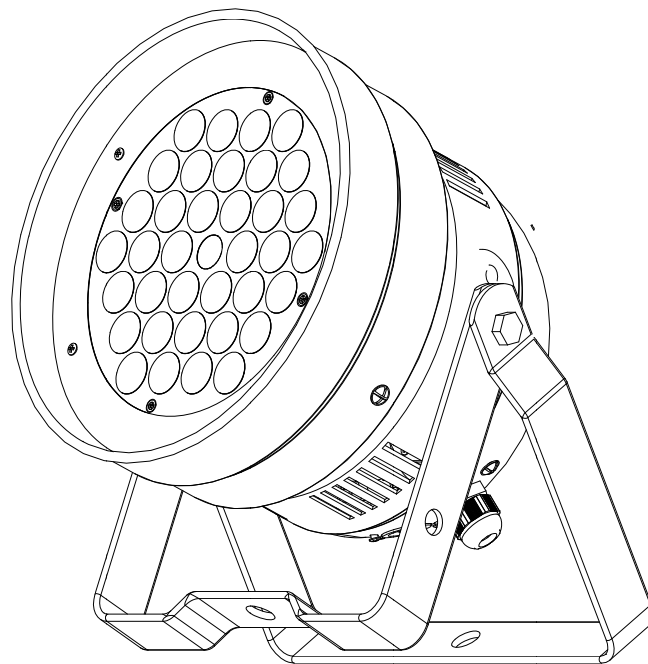


# ignition

USER'S MANUAL



LED PAR56 36 X 1W RGB

## Table of contents

- 1) INSTRUCTION
- 2) SETUP
- 3) DMX MODE
- 4) PROGRAMM MODE
- 5) SPEED MODE
- 6) SOUND MODE
- 7) TECHNICAL INFORMATION

---

## 1. Safety instructions

### FOR SAFE AND EFFICIENT OPERATION

Be careful with heat and extreme temperature. Avoid exposing it to direct rays of the sun or near a heating appliance.

Do not put it in a temperature below 41°F /5°C, or exceeding 95°F /35°C.

Keep away from humidity, water and dust.

Do not place the set in a location with high humidity or lots of dust.

Containers with water should not be placed on the set.

Keep away from sources of hum and noise.

Such as transformer motor, tuner, TV set and amplifier.

To avoid placing on un-stable location.

Select a level and stable location to avoid vibration.

Do not use chemicals or volatile liquids for cleaning.

Use a clean dry cloth to wipe off the dust, or a wet soft cloth for stubborn dirt.

If out of work, contact sales agency immediately.

Any troubles arose, remove the power plug soon, and contact with an engineer for repairing, do not open the cabinet by yourself, it might result a danger of electric shock.

Take care with the power cable.

Never pull the power cable to remove the plug from the receptacle, be sure to hold the plug. When not using the player for an extended period of time be sure to disconnect the plug from the receptacle.

## 1 INSTRUCTION

You can use the part as below ways

**Dmx mode** -this function will allow you to control each individual fixtures traits with a standard DMX 512control

**Program mode**- you can select the internal programs

**Speed mode**- you can control the intensity and strobe speed

**Sound mode**- the unit will react to sound.

## 2 SETUP

1.DMX ADD.



Define the DMX start address from 001 to 512

2.SETUP DISP ON or OFF



→ Display always on



→ Display will switch off after 10 seconds not in use

3.SETUPDIM 000%--100%



Adjust maximal output for all channels 0-100%

setting overwrite interal programs and max output by dmx

4.COLORSET 000%--100% RED



Adjust maximal output for RED 0-100%

General seting cannot overwrite-uniwhite adjust

5.COLORSET 000%--100% GRE



Adjust maximal output for GREEN 0-100%

General seting cannot overwrite-uniwhite adjust

6.COLORSET 000%--100% BLU



Adjust maximal output for BLUE 0-100%

General seting cannot overwrite-uniwhite adjust

7. RESET HOLD +/-



If hold +/- for more then 3 sec - controller will be reset standard

### 3 DMX MODE (Display flash when no signal)

#### DMX MODE 1



Channel	Value	Function
1	0-255	Color macros 0=OFF , 1-255=Macros

#### DMX MODE 2



Channel	Value	Function
1	0-255	Color macros (0=OFF , 1-255=Macros)
2	0-255	Dimmer (0=OFF, 1-255=DIM<Bright)

#### DMX MODE 3



Channel	Value	Function
1	0-255	RED (0=OFF, 1-255=DIM<Bright)
2	0-255	GREEN (0=OFF, 1-255=DIM<Bright)
3	0-255	BLUE (0=OFF, 1-255=DIM<Bright)

#### DMX MODE 4



Channel	Value	Function
1	0-255	RED (0=OFF, 1-255=DIM<Bright)
2	0-255	GREEN (0=OFF, 1-255=DIM<Bright)
3	0-255	BLUE (0=OFF, 1-255=DIM<Bright)
4	0-255	Strobe (0-15=OFF, 16-255=Slow<Fast)
5	0-255	Mater Dimmer (0=OFF, 1-255=DIM<Bright)

DMX MODE 5



Channel	Value	Function
1	0-255	RED (0=OFF, 1-255=DIM<Bright)
2	0-255	GREEN (0=OFF, 1-255=DIM<Bright)
3	0-255	BLUE (0=OFF, 1-255=DIM<Bright)
4	0-255	Strobe(0-15=OFF, 16-255=Slow<Fast)
5	0-255	Mater dimmer (0=OFF, 1-255=DIM<Bright)
6	0-255	Special (0-31=OFF, 32-63=DIM<Bright, 64-95=Bright>DIM 96-127=DIM<Bright>DIM □ 128-159=Color Mixing □ color fade □ 160-191=3 color change(random) 192-223=7color change(random) 224-255=sound active)
7	0-255	Speed(CH6=0-255) slow → fast

DMX MODE 6



Channel	Value	Function
1	0-255	RED (0=OFF, 1-255=DIM<Bright)
2	0-255	GREEN (0=OFF, 1-255=DIM<Bright)
3	0-255	BLUE (0=OFF, 1-255=DIM<Bright)
4	0-255	Macro 32color
5	0-255	Strobe/speed
6	0-255	Special (0-31=OFF, 32-63=DIM<Bright, 64-95=Bright>DIM 96-127=DIM<Bright>DIM □ 128-159=Color Mixing □ color fade □ 160-191=3 color change(random) 192-223=7color change(random) 224-255=sound active)
7	0-255	Mater dimmer (0=OFF, 1-255=DIM<Bright)

DMX SLAVE



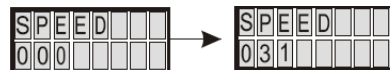
Unit copies Master

#### 4 PROGRAM MODE



Value	Function
001	3 color change sequence 1
002	7 color change sequence 1
003	3 color fade
004	7 color fade
005	3 color flash
006	3 color change sequence 2
007	7 color change sequence 2
008	6 color fade

#### 5 SPEED MODE



Value	Function
000 → 031	Intensity and Strobe 000=OFF fast → slow

#### 6 SOUND MODE



Value	Function
000 → 031	Sensitivity low → high

#### 7 TECHNICAL INFORMATION

Power supply :	100-240V/AC, 50/60HZ
Power consumption :	Max. 55W
Weight :	1.9kg
Dimension(LxWxH):	230x195x260mm
DMX in :	3pin XLR male socket
DMX out :	3pin XLR female socket
Data pin configuration:	Pin-1:shield, Pin-2: -, Pin-3:+
Colors of LEDs :	RGB

Importeur:

**B&K Braun GmbH**  
**Industriestraße 1**  
**D-76307 Karlsbad-Ittersbach**

[www.bkbraun.com](http://www.bkbraun.com)

[info@bkbraun.com](mailto:info@bkbraun.com)

