



LED Power & DMX Bar

# DMX Splitter with Power Distribution

Thomann GmbH

Hans-Thomann-Straße 1

96138 Burgebrach

Germany

Telephone: +49 (0) 9546 9223-0

Internet: [www.thomann.de](http://www.thomann.de)

08.01.2024, ID: 114791, 470232 (V4)

---

## Table of contents

<b>1</b>	<b>General information.....</b>	<b>5</b>
	1.1 Symbols and signal words.....	5
<b>2</b>	<b>Safety instructions.....</b>	<b>8</b>
<b>3</b>	<b>Features.....</b>	<b>11</b>
<b>4</b>	<b>Installation and starting up.....</b>	<b>12</b>
<b>5</b>	<b>Connections and controls.....</b>	<b>18</b>
<b>6</b>	<b>Technical specifications.....</b>	<b>20</b>
<b>7</b>	<b>Protecting the environment.....</b>	<b>22</b>





# 1 General information


This document contains important instructions for the safe operation of the product. Read and follow the safety instructions and all other instructions. Keep the document for future reference. Make sure that it is available to all those using the product. If you sell the product to another user, be sure that they also receive this document.

Our products and documentation are subject to a process of continuous development. They are therefore subject to change. Please refer to the latest version of the documentation, which is ready for download under [www.thomann.de](http://www.thomann.de).

## 1.1 Symbols and signal words

In this section you will find an overview of the meaning of symbols and signal words that are used in this document.

Signal word	Meaning
<b>DANGER!</b>	This combination of symbol and signal word indicates an immediate dangerous situation that will result in death or serious injury if it is not avoided.
<b>WARNING!</b>	This combination of symbol and signal word indicates a possible dangerous situation that can result in death or serious injury if it is not avoided.
<b>CAUTION!</b>	This combination of symbol and signal word indicates a possible dangerous situation that can result in minor injury if it is not avoided.
<b>NOTICE!</b>	This combination of symbol and signal word indicates a possible dangerous situation that can result in material and environmental damage if it is not avoided.
Warning signs	Type of danger
	Warning – high-voltage.
	Warning – suspended load.

<b>Warning signs</b>	<b>Type of danger</b>
	Warning – danger zone.

## 2 Safety instructions

### Intended use

This device is used to distribute electrical power and DMX signals to several connected loads. Any other use or use under other operating conditions is considered to be improper and may result in personal injury or property damage. No liability will be assumed for damage resulting from improper use.

This device may be used only by persons with sufficient physical, sensory, and intellectual abilities and the necessary knowledge and experience. Other persons may use this device only if they are supervised or instructed by a person who is responsible for their safety.

### Safety



#### **DANGER!**

#### **Risk of injury and choking hazard for children!**

Children can suffocate on packaging material and small parts. Children can injure themselves when handling the device. Never allow children to play with the packaging material and the device. Always store packaging material out of the reach of babies and small children. Always dispose of packaging material properly when it is not in use. Never allow children to use the device without supervision. Keep small parts away from children and make sure that the device does not shed any small parts (such as knobs) that children could play with.



#### **DANGER!**

#### **Danger to life due to electric current!**

Within the device there are areas where high voltages may be present. Never remove any covers. There are no user-serviceable parts inside. Do not use the device when covers, safety equipment or optical components are missing or damaged.



**DANGER!****Risk of death from electrical current!**

A short circuit can cause fires and loss of life. Always use properly insulated, tripe-core mains cable. Do not modify the mains cable. If the insulation is damaged, immediately switch off the power supply and have it repaired. If in doubt, contact a qualified electrician.

**NOTICE!****Risk of fire due to covered vents and neighbouring heat sources!**

If the vents of the device are covered or the device is operated in the immediate vicinity of other heat sources, the device can over-heat and burst into flames. Never cover the device or the vents. Do not install the device in the immediate vicinity of other heat sources. Never operate the device in the immediate vicinity of naked flames.

**NOTICE!****Damage to the device if operated in unsuitable ambient conditions!**

The device can be damaged if it is operated in unsuitable ambient conditions. Only operate the device indoors within the ambient conditions specified in the "Technical specifications" chapter of this user manual. Avoid operating it in environments with direct sunlight, heavy dirt and strong vibrations. Avoid operating it in environments with strong temperature fluctuations. If temperature fluctuations cannot be avoided (for example after transport in low outside temperatures), do not switch on the device immediately. Never subject the device to liquids or moisture. Never move the device to another location while it is in operation. In environments with increased dirt levels (for example due to dust, smoke, nicotine or mist): Have the device cleaned by qualified specialists at regular intervals to prevent damage due to overheating and other malfunctions.

**NOTICE!****Damage to the device due to high voltages!**

The device can be damaged if it is operated with the incorrect voltage or if high voltage peaks occur. In the worst case, excess voltages can also cause a risk of injury and fires. Make sure that the voltage specification on the device matches the local power grid before plugging in the device. Only operate the device from professionally installed mains sockets that are protected by a residual current circuit breaker (FI). As a precaution, disconnect the device from the power grid when storms are approaching or if the device will not be used for a longer period.



### **NOTICE!**

#### **Risk of fire by exceeding the maximum current**

The device can supply power to other devices of identical design and connected in series. If too many devices are connected, the power consumption can exceed the maximum permitted power consumption, which can cause the device to overheat and burst into flames. Only connect devices of identical design to the device. When deciding how many devices you can connect in series, make sure that the maximum permitted power consumption as stated on the device is not exceeded. Also refer to the specifications in the technical specifications for the device. Only use power cords with a cable cross-section designed for the required current intensity when connecting the devices in series.

### 3 Features

- Truss beam for the distribution of electrical power and DMX signals to up to five spotlights
- All inputs and outputs on the front
- Inputs:
  - Lockable input socket (Power Twist) for the power supply
  - DMX input socket
- Outputs:
  - 5 outlets with hinged lid, individually fused
  - 6 DMX output sockets
  - Lockable output socket (Power Twist)
- Four threaded screws for attaching each spotlight, with a load capacity of 2.5 kg each, 10 kg in total
- Stand adapter for fastening the device to a stand
- Power supply cable (Power Twist) included
- Colour: Silver (item no. 114791), black (item no. 470232)

## 4 Installation and starting up

Unpack and check carefully there is no transportation damage before using the unit. Keep the equipment packaging. To fully protect the product against vibration, dust and moisture during transportation or storage use the original packaging or your own packaging material suitable for transport or storage, respectively.



### **WARNING!**

#### **Risk of injury from falling devices that were inadequately secured!**

If devices are not properly secured during assembly, they can cause severe injury and considerable damage by falling.

When installing and operating, make sure to follow the standards and regulations that apply in your country.

Always secure the device with a secondary safety attachment, such as a safety cable or a safety chain.



### **CAUTION!**

#### **Risk of injury due to tipping of stand on an unsuitable ground!**

When the stand is installed on soft or uneven ground, the stand may tip over and cause injuries and property damage.

Install the stand only on even and solid ground.



**CAUTION!**

**Risk of injury due to tipping of the stand during loaded transport!**

If the stand is moved without having removed the installed devices, the stand may tip over and cause injuries and property damage.

Remove the installed devices before transporting the stand.



**CAUTION!**

**Risk of injury due to tipping of the stand from excessive loading!**

In case of excessive loading, the stand might tip over, causing injury and property damage.

Never exceed the specified maximum load for the stand.



**NOTICE!**

**Potential property damage due to unsuitable stands!**

If the device is mounted on an unsuitable stand, there is a risk that the stand will fall over and cause damage.

Only use stands whose maximum bearing capacity is at least as high as the weight of the device. Always ensure that the stand is stable.



### **NOTICE!**

#### **Data transfer errors due to improper wiring!**

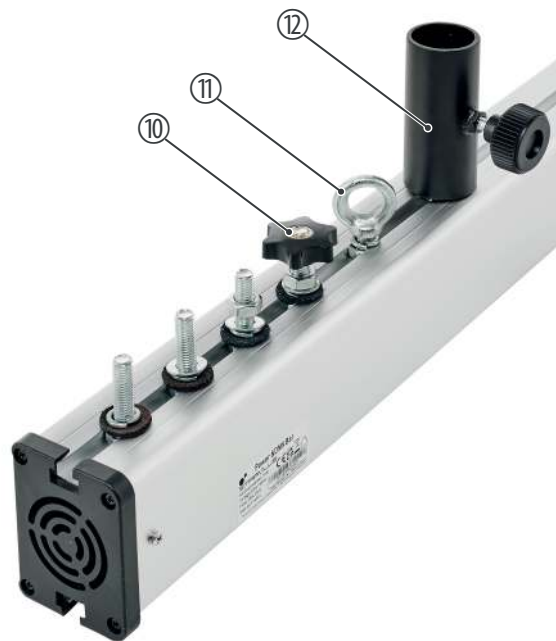
If the DMX connections are wired incorrectly, this can cause errors during the data transfer.

Do not connect the DMX input and output to audio devices, e.g. mixers or amplifiers.

Use special DMX cables for the wiring instead of normal microphone cables.

Create all connections while the device is off. Use the shortest possible high-quality cables for all connections. Take care when running the cables to prevent tripping hazards.

### Setting up the device



1	Nut
2	Washer
3	Snap ring
4	Spacer for star grip nut
5	Stand adapter
6	Locking screw for stand adapter
7	Safety cable eyelet
8	Screw
9	Star handle nut
10	Attaching the spotlight mount
11	Attach the safety cable eyelet
12	Attaching the stand adapter

### Attaching the stand adapter

1. ➤ Tighten the locking screw on the stand adapter.
2. ➤ Push the washer onto the thread of the stand adapter.
3. ➤ Screw the nut onto the top end of the thread of the stand adapter.
4. ➤ Push the nut into the centre of the groove of the bar.
5. ➤ Tighten the stand adapter.



### **Attach the safety cable eyelet**

- 1.** ➤ Push the snap ring onto the thread of the safety cable eyelet.
- 2.** ➤ Push the washer onto the thread of the safety cable eyelet.
- 3.** ➤ Screw the nut onto the top end of the thread of the safety cable eyelet.
- 4.** ➤ Push the safety cable eyelet into the centre of the groove of the bar by the nut.
- 5.** ➤ Screw in the safety cable eyelet.

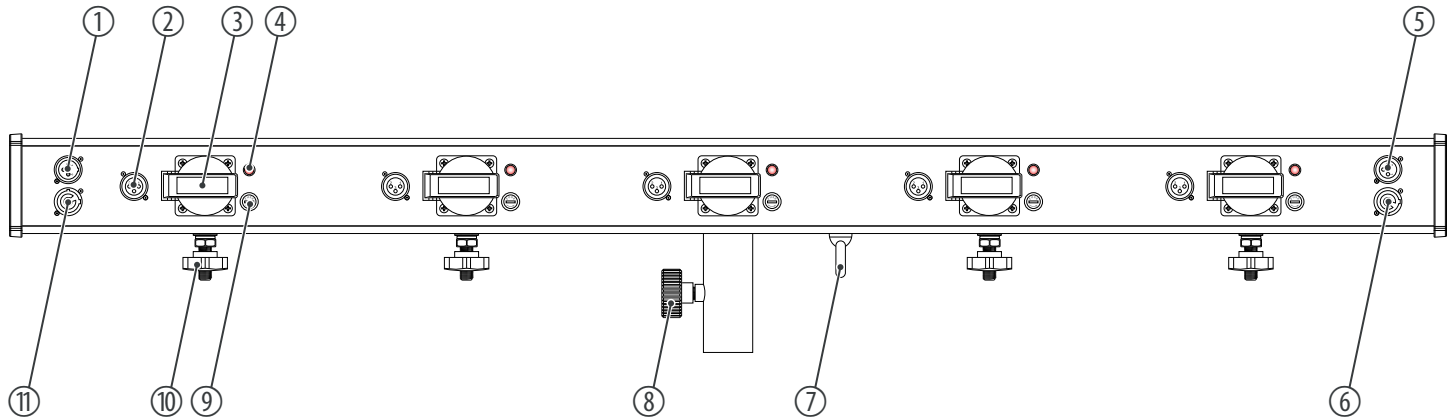
### **Attaching the spotlight mount**

- 1.** ➤ Push the screw into the groove of the bar.
- 2.** ➤ Push the felt washer onto the screw.
- 3.** ➤ Push the snap ring onto the spacer.
- 4.** ➤ Push the washer onto the screw.
- 5.** ➤ Place the nut on the screw and tighten.

### **Attaching a spotlight**

- 1.** ➤ Push the bracket of the spotlight over the screw.
- 2.** ➤ Attach with spacer and star handle nut.

## 5 Connections and controls



1	DMX input
2	DMX output
3	Outlet
4	Indicator LED   Lights up on open circuit
5	DMX output for further devices
6	Lockable output socket (Power Twist) for the power supply of further devices
7	Safety cable eyelet
8	Stand adapter for fastening the device to a stand
9	Fuse
10	Threaded screw for attaching one spotlight
11	Lockable input socket (Power Twist) for the power supply

## 6 Technical specifications

Input connections	Power supply	1 × lockable input socket (Power Twist)
	DMX control	1 × XLR chassis plug, 3-pin
Output connections	Power supply for further devices	1 × lockable output socket (Power Twist)
	DMX control	5 × XLR panel socket, 3-pin
	DMX control of other devices	1 × XLR panel socket, 3-pin
	Power distribution	5 × outlet
Supply voltage	100 - 240 V~ 50/60 Hz	
Fuse	5 mm × 20 mm, 5 A, 250 V, slow blow	
Dimensions (W × H × D)	1,210 mm × 80 mm × 60 mm	
Weight	3.3 kg	
Ambient conditions	Temperature range	0 °C...40 °C
	Relative humidity	20%...80% (non-condensing)

**Further information**

Colour	Silver (item no. 114791) Black (item no. 470232)
--------	---

## 7 Protecting the environment

### Disposal of the packing material



Environmentally friendly materials have been chosen for the packaging. These materials can be sent for normal recycling. Ensure that plastic bags, packaging, etc. are disposed of in the proper manner.

Do not dispose of these materials with your normal household waste, but make sure that they are collected for recycling. Please follow the instructions and markings on the packaging.



Observe the disposal note regarding documentation in France.

## Disposal of your old device



This product is subject to the European Waste Electrical and Electronic Equipment Directive (WEEE) as amended.

Do not dispose of your old device with your normal household waste; instead, deliver it for controlled disposal by an approved waste disposal firm or through your local waste facility. When disposing of the device, comply with the rules and regulations that apply in your country. If in doubt, consult your local waste management facility. Proper disposal protects the environment as well as the health of your fellow human beings.

Also note that waste avoidance is a valuable contribution to environmental protection. Repairing a device or passing it on to another user is an ecologically valuable alternative to disposal.

You can return your old device to Thomann GmbH at no charge. Check the current conditions on [www.thomann.de](http://www.thomann.de).

If your old device contains personal data, delete those data before disposing of it.











