



LED Flood Panel 150 20°,
LED Flood Panel 150 40°

LED Floodlight

Thomann GmbH

Hans-Thomann-Straße 1

96138 Burgebrach

Germany

Telephone: +49 (0) 9546 9223-0

Internet: www.thomann.de

30.01.2023, ID: 253358, 253359 (V5)

Table of contents

1	General information.....	6
	1.1 Further information.....	7
	1.2 Notational conventions.....	7
	1.3 Symbols and signal words.....	8
2	Safety instructions.....	10
3	Features.....	14
4	Installation.....	15
5	Starting up.....	19
6	Connections and operating elements.....	21
7	Operating.....	26
	7.1 Operating on the unit.....	26
	7.2 Remote control.....	32
	7.3 DMX mode.....	34
	7.4 Menu overview.....	41
8	Technical specifications.....	42
9	Plug and connection assignments.....	45
10	Troubleshooting.....	46
11	Cleaning.....	49

12 Protecting the environment..... 50



1 General information

This user manual contains important information on the safe operation of the device. Read and follow all safety notes and all instructions. Save this manual for future reference. Make sure that it is available to all persons using this device. If you sell the device to another user, be sure that they also receive this manual.

Our products and user manuals are subject to a process of continuous development. We therefore reserve the right to make changes without notice. Please refer to the latest version of the user manual which is ready for download under www.thomann.de.

1.1 Further information

On our website (www.thomann.de) you will find lots of further information and details on the following points:

Download	This manual is also available as PDF file for you to download.
Keyword search	Use the search function in the electronic version to find the topics of interest for you quickly.
Online guides	Our online guides provide detailed information on technical basics and terms.
Personal consultation	For personal consultation please contact our technical hotline.
Service	If you have any problems with the device the customer service will gladly assist you.

1.2 Notational conventions

This manual uses the following notational conventions:

Letterings

The letterings for connectors and controls are marked by square brackets and italics.

Examples: *[VOLUME]* control, *[Mono]* button.

Displays





Texts and values displayed on the device are marked by quotation marks and italics.

Examples: '24*ch*', 'OFF'.

1.3 Symbols and signal words

In this section you will find an overview of the meaning of symbols and signal words that are used in this manual.

Signal word	Meaning
DANGER!	This combination of symbol and signal word indicates an immediate dangerous situation that will result in death or serious injury if it is not avoided.
WARNING!	This combination of symbol and signal word indicates a possible dangerous situation that can result in death or serious injury if it is not avoided.
NOTICE!	This combination of symbol and signal word indicates a possible dangerous situation that can result in material and environmental damage if it is not avoided.

Warning signs	Type of danger
	Warning – high-voltage.
	Warning – dangerous optical radiation.
	Warning – suspended load.
	Warning – danger zone.

2 Safety instructions

Intended use

This device is intended for use as an electronic lighting effect by means of LED technology. The device is designed for professional use only and is not suitable for use in households. Use the device only as described in this user manual. Any other use or use under other operating conditions is considered to be improper and may result in personal injury or property damage. No liability will be assumed for damages resulting from improper use.

This device may be used only by persons with sufficient physical, sensorial, and intellectual abilities and having corresponding knowledge and experience. Other persons may use this device only if they are supervised or instructed by a person who is responsible for their safety.



Extend the operating life of the device by regular breaks and by avoiding frequent switching on and off. The device is not suitable for continuous operation.

Safety



DANGER!

Danger for children

Ensure that plastic bags, packaging, etc. are disposed of properly and are not within reach of babies and young children. Choking hazard! Ensure that children do not detach any small parts (e.g. knobs or the like) from the unit. They could swallow the pieces and choke! Never let children unattended use electrical devices.



DANGER!

Electric shock caused by high voltages inside

Within the device there are areas where high voltages may be present. Never remove any covers. There are no user-serviceable parts inside. Do not use the device if covers, protectors or optical components are missing or damaged.



DANGER!

Electric shock caused by short-circuit

Always use proper ready-made insulated mains cabling (power cord) with a protective contact plug. Do not modify the mains cable or the plug. Failure to do so could result in electric shock/death or fire. If in doubt, seek advice from a registered electrician.



WARNING!

Eye damage caused by high light intensity

Never look directly into the light source.



WARNING!

Risk of epileptic shock

Strobe lighting can trigger seizures in photosensitive epilepsy. Sensitive persons should avoid looking at strobe lights.



NOTICE!

Risk of fire

Do not block areas of ventilation. Do not install the device near any direct heat source. Keep the device away from naked flames.



NOTICE!

Operating conditions

This device has been designed for indoor use only. To prevent damage, never expose the device to any liquid or moisture. Avoid direct sunlight, heavy dirt, and strong vibrations. Only operate the device within the ambient conditions specified in the chapter 'Technical specifications' of this user manual. Avoid heavy temperature fluctuations and do not switch the device on immediately after it was exposed to temperature fluctuations (for example after transport at low outside temperatures). Dust and dirt inside can damage the unit. When operated in harmful ambient conditions (dust, smoke, nicotine, fog, etc.), the unit should be maintained by qualified service personnel at regular intervals to prevent overheating and other malfunction.



NOTICE!

Power supply

Before connecting the device, ensure that the input voltage (AC outlet) matches the voltage rating of the device and that the AC outlet is protected by a residual current circuit breaker. Failure to do so could result in damage to the device and possibly injure the user. Unplug the device before electrical storms occur and when it is unused for long periods of time to reduce the risk of electric shock or fire.



NOTICE!

Fire hazard due to exceedance of the maximum current

The device can power other devices of identical construction. The current consumption of all other devices connected in series must not exceed the values indicated in the technical specifications. Otherwise you risk injuries and irreparable damages to the device. Only connect so many identical devices that the maximum current consumption is not exceeded. Ensure the sufficient dimensioning (wire cross section) of the power cables used for all devices connected in series.



NOTICE!

Possible damage due to installation of a wrong fuse

The use of different types of fuses can cause serious damage to the unit. Fire hazard! Only fuses of the same type may be used.



NOTICE!

Risk of fire due to incorrect polarity

- Incorrectly inserted batteries may destroy the device or the batteries. Ensure that proper polarity is observed when inserting batteries.



NOTICE!

Possible damage by leaking batteries

- Leaking batteries can cause permanent damage to the device. Take batteries out of the device if it is not going to be used for a longer period.

3 Features

This LED floodlight is suitable for use in clubs, bars, theatres, exhibitions, etc.

Special features of the device:

- 150 × 10 mm colour LEDs (RGB)
- Control via DMX, via buttons and display on the unit as well as an optionally available IR remote control (item no. 354223)
- Ten preprogrammed automatic shows
- Sound control
- Master / Slave mode
- Compact design

For technological reasons, the light output of LEDs decreases over their lifetime. This effect increases with higher operating temperature. You can extend the service life of the illuminants by providing adequate ventilation and operating the LEDs with the lowest possible brightness.

4 Installation

Unpack and check carefully there is no transportation damage before using the unit. Keep the equipment packaging. To fully protect the product against vibration, dust and moisture during transportation or storage use the original packaging or your own packaging material suitable for transport or storage, respectively.



WARNING!

Risk of injury caused by falling objects

Make sure that the installation complies with the standards and rules that apply in your country. Always secure the device with a secondary safety attachment, such as a safety cable or a safety chain.



NOTICE!

Risk of overheating

The distance between light output and the illuminated surface must be more than 1.5 m (19.7in).

Provide sufficient ventilation.

The ambient temperature must always be below 40 °C (104 °F).



NOTICE!

Use of stands

When mounting the device onto a stand, ensure that the stand is in a safe and stable position and that the weight of the device does not exceed the maximum permissible load capacity of the stand.



NOTICE!

Possible data transmission errors

For error-free operation make use of dedicated DMX cables and do not use ordinary microphone cables.

Never connect the DMX input or output to audio devices such as mixers or amplifiers.

Mounting options

You can install the device in hanging or standing position. When in use, the device must always be attached to a solid surface or an approved truss. Use the openings of the bracket provided for mounting.

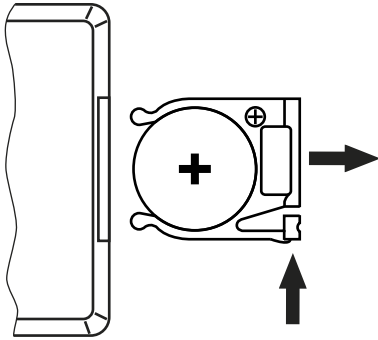
Always work from a stable platform whenever installing, moving or servicing the device. In doing so, the area underneath the device must be cordoned off.

The safety cable must be attached to the bracket.



Please note that this device must not be connected to a dimmer.

Inserting the battery into the remote control



Press the lock of the battery holder to the centre of the housing and pull out the battery holder like a drawer. Insert the battery. The battery is correct if the positive pole points to the housing base of the remote control. Slide the battery holder back into the remote until it clicks into place.

When shipping, the battery is already installed in the remote and protected against discharge by a transparent plastic foil. Remove the plastic foil prior to first use.



NOTICE!

Risk of fire due to incorrect polarity

Incorrectly inserted batteries may destroy the device or the batteries.

Ensure that proper polarity is observed when inserting batteries.



NOTICE!

Possible damage by leaking batteries

Leaking batteries can cause permanent damage to the device.

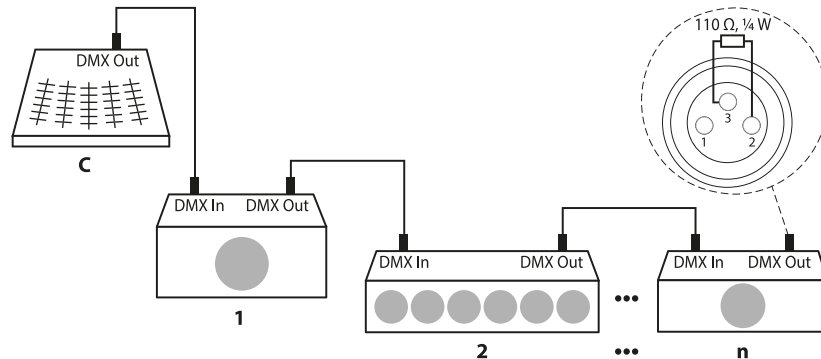
Take batteries out of the device if it is not going to be used for a longer period.

5 Starting up

Create all connections while the device is off. Use the shortest possible high-quality cables for all connections. Take care when running the cables to prevent tripping hazards.

Connections in DMX mode

Connect the DMX input of the device to the DMX output of a DMX controller or another DMX device. Connect the output of the first DMX device to the input of the second one, and so on to form a daisy chain. Always ensure that the output of the last DMX device in the daisy chain is terminated with a resistor ($110\ \Omega$, $\frac{1}{4}\text{ W}$).

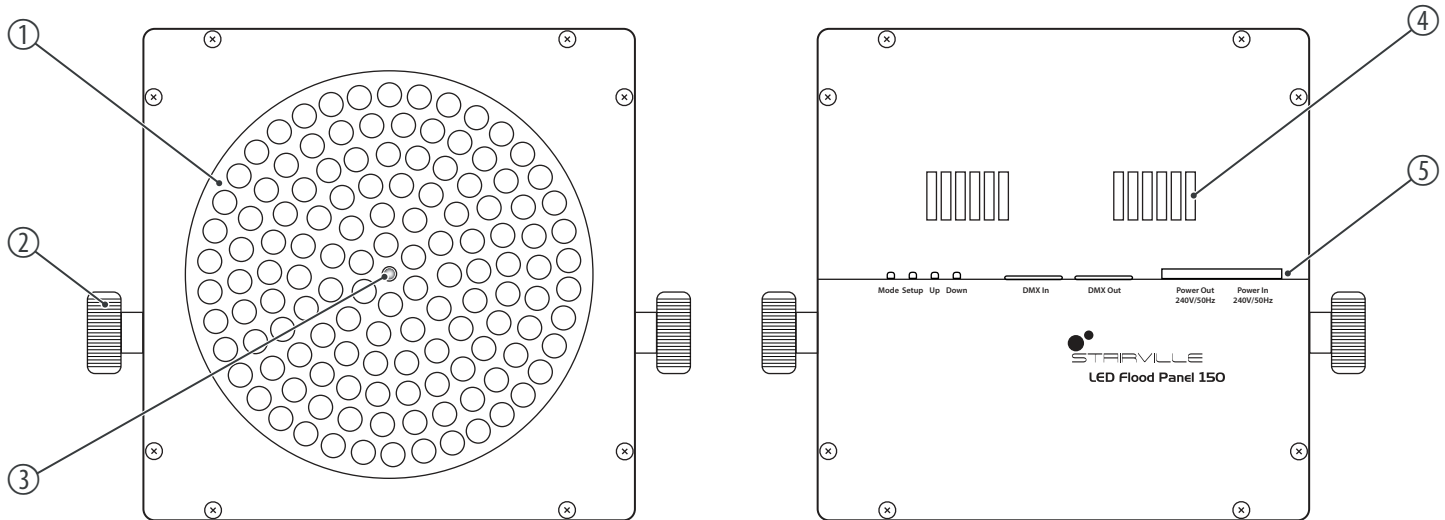


Connections in master/slave mode

When you configure a group of devices in master/slave mode, the first unit will control the other units for an automatic, sound-activated, synchronized show. This function is ideal when you want to start a show immediately. Connect the DMX output of the master device to the DMX input of the first slave device. Then connect the DMX output of the first slave device to the DMX input of the second slave device and so on.

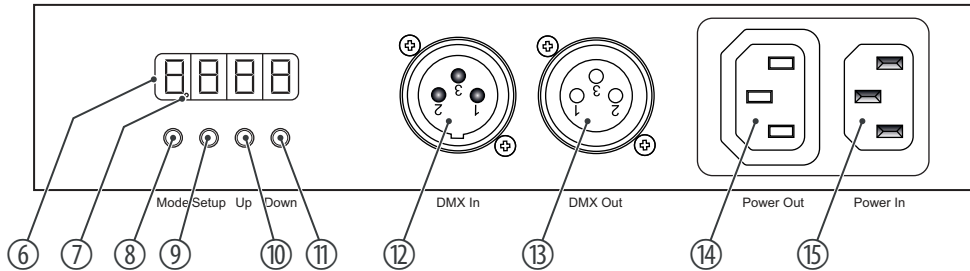
6 Connections and operating elements

Front and rear panel



1	LEDs
2	Locking screws for the bracket for hanging or placement
3	Infrared sensor for the remote control signals
4	Vents
5	Control panel and connections

Control panel and connections

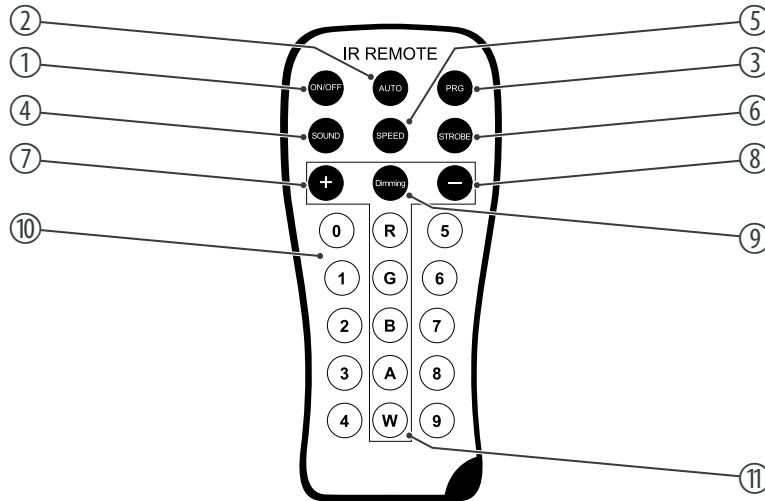


6	Display
7	DMX indicator: Flashes when the device is configured for 'DMX' mode, but not receiving a DMX signal. If no DMX cable is connected, the DMX indicator lights continuously.
8	<i>[Mode]</i> activates the main menu for selecting the operating mode.
9	<i>[Setup]</i> selects an option of the respective operating mode.
10	<i>[Up]</i> increases the displayed value by one.
11	<i>[Down]</i> decreases the displayed value by one.
12	<i>[DMX In]</i> DMX input
13	<i>[DMX Out]</i> DMX output
14	<i>[Power Out]</i> IEC chassis socket for the voltage supply of a further device
15	<i>[Power In]</i> IEC chassis plug for the mains cable

Infrared remote control (item no. 354223, optionally available)



Since the universal remote control can be used for several device types, some buttons may not be assigned and therefore have no function.



1	<i>[ON/OFF]</i> turns the device on and off.
2	<i>[AUTO]</i> activates the 'Automatic' mode.
3	<i>[PRG]</i> activates the operating mode 'Preprogrammed automatic show'. Select the desired programme with <i>[+]</i> and <i>[-]</i> .
4	<i>[SOUND]</i> activates the 'Sound-control' mode. Set the sensitivity of the built-in microphone with <i>[+]</i> and <i>[-]</i> .
5	<i>[SPEED]</i> activates the setting mode for the programme speed. Adjust the speed using <i>[+]</i> and <i>[-]</i> .
6	<i>[STROBE]</i> activates the setting mode for the Strobe speed. Adjust the speed using <i>[+]</i> and <i>[-]</i> .
7	<i>[+]</i> increases the set value.
8	<i>[-]</i> decreases the set value.
9	<i>[Dimming]</i> activates the dimming function for fixed colours. Set the value for each fixed colour using <i>[+]</i> and <i>[-]</i> .
10	<i>[0 ... 9]</i> numeric buttons for direct selection of a fixed colour.
11	<i>[R], [G], [B], [A], [W]</i> buttons to select the colour shade in dimmer mode.

7 Operating

7.1 Operating on the unit

Starting the device

Connect the device to the power supply to start operation. After a few seconds, the display indicates that a reset is in progress. The device is then ready for use.

Press *[Mode]* to activate the main menu and select an operating mode. If you do not press any key for about ten seconds, the display turns off. Press any button to turn the display back on again. The previously called menu is displayed again.

The set values are retained during a power supply interruption.

Operating mode 'Preprogrammed automatic show'

A preprogrammed automatic show can only be activated when the unit is operating in stand-alone mode or as master in a master / slave combination. This setting is only relevant if the device is not controlled via DMX.

Press *[Mode]* repeatedly until the display shows 'Pr.xx'. Press *[Setup]* and use *[Up]* and *[Down]* to select a value between 'Pr.01' and 'Pr.10'. The following table shows the available programmes.

Programme	Description
'Pr.01'	Constant colour
'Pr.02'	Fading seven colours
'Pr.03'	Fading three colours
'Pr.04'	Rapid change seven colours
'Pr.05'	Rapid change three colours
'Pr.06'	Random 1
'Pr.07'	Random 2
'Pr.08'	Fading red only
'Pr.09'	Fading green only
'Pr.10'	Fading blue only

Settings for programme 01:

For 'Pr.01', you can choose from 7 predefined colours. After programme selection, press [Setup]. Use [Up] and [Down] to select one of the colour settings '1.--r' to '8.00F', see the following table.

Value	Colour setting
'1.--r'	Red
'2.-rg'	Red + green
'3.--g'	Green
'4.-gb'	Green + blue
'5.--b'	Blue
'6.-rb'	Red + blue
'7.rgb'	Red + green + blue
'8.00F'	No function

Press again [Setup] to set the brightness of the colours and the flash frequency for the strobe effect. Depending on the mode, the display shows one of the following values: 'rxxx', 'gxxx', 'bxxx' or 'FSxx'. Use [Up] and [Down] to select a value between 'FS00' (slow) and 'FS99' (fast).

Settings for programmes 02 to 10:

After colour selection, press *[Setup]* to set the programme running speed. The display shows 'SP.xx'. Use *[Up]* and *[Down]* to select a value between 'SP.01' (slow) and 'SP.99' (fast) or 'SP.FL' (strobe effect).

To set the flash frequency for the strobe effect, press again *[Setup]*. The display shows 'FSxx'. Use *[Up]* and *[Down]* to select a value between 'FS00' (slow) and 'FS99' (fast).

Operating mode 'Auto'

Automatic operation can only be activated when the unit is operating in stand alone mode or as master in a master / slave combination. This setting is only relevant if the device is not controlled via DMX.

Press *[Mode]* repeatedly until the display shows 'Auto'. All available programmes are played in an endless loop, playback starts automatically.

Press *[Setup]* to set the programme running speed. The display shows 'SP.xx'. Use *[Up]* and *[Down]* to select a value between 'SP.01' (slow) and 'SP.FL' (fast).

To set the flash frequency for the strobe effect, press again *[Setup]*. The display shows 'FSxx'. Use *[Up]* and *[Down]* to select a value between 'FS00' (slow) and 'FS99' (fast).

To adjust the fade function, press again *[Setup]*. The display shows 'Fdx'. Use *[Up]* and *[Down]* to select a value between 'Fd00' (slow fading) and 'Fd99' (fast fading).

Operating mode 'Slave'

This setting is only relevant if the device is working as Slave in a Master / Slave configuration and is not controlled via DMX.

Press *[Mode]* until the display shows 'SLAv'.

Sound control

Sound control can only be activated when the unit is operating in stand alone mode or as master in a master / slave combination. This setting is only relevant if the device is not controlled via DMX.

Press *[Mode]* until the display shows 'SU xx'. This activates the sound controlled automatic show.

Press *[Setup]* and use *[Up]* and *[Down]* to adjust the sensitivity for the sound control in a range from 'SU.00' ... 'SU.31'.

DMX mode

This setting is only relevant when the device is controlled via DMX.

Press *[Mode]* until the display shows 'd.xxx'.

Now you can set the number of the first DMX channel to be used by the device (DMX address). Use *[Up]* and *[Down]* to select a value in a range from 'd.001' ... 'd.512'.

Make sure that this number matches the configuration of your DMX controller. The following table shows the highest possible DMX address for the various DMX modes.

Mode	Highest possible DMX address
3-channel	510
4-channel	509
8-channel	505

Press *[Setup]*. Use *[Up]* and *[Down]* to select one of the following DMX operating modes:

- '3-ch' (three channels)
- '4-ch' (four channels)
- '8-ch' (eight channels)

7.2 Remote control

The device can only be remote controlled if it's neither working in a Master / Slave configuration nor DMX-controlled.

Switching on / off

Use *[ON/OFF]* to switch the device on and off.

Operating mode 'Automatic'

Press *[AUTO]*. The playback of 'Pr02' to 'Pr14' starts automatically.

Operating mode 'Preprogrammed automatic show'

Press *[PRG]*. Use *[+]* and *[-]* to select a value between 'Pr.01' and 'Pr.14'.

In the 'Preprogrammed automatic show' mode, you can activate the strobe effect. Press *[STROBE]* and use *[+]* and *[-]* to select a value between 'FS00' (slow) and 'FS99' (fast). Press again *[STROBE]* to turn the strobe effect off.

For the programmes 'Pr.01' and 'Pr.09', it is possible to adjust the process speed. Press *[SPEED]* and use *[+]* and *[-]* to select a value between 'SP01' (slow) and 'SPFL' (fast).

Sound control

Press *[SOUND]*. This activates a sound controlled automatic show.

Use *[+]* and *[-]* to adjust the sensitivity of the sound control in a range from 'SV.00' to 'SV.31'.

Dimming

Press *[Dimming]* to adjust the brightness level of the primary colours. Press *[R]* (red), *[G]* (green), or *[B]* (blue) and use *[+]* and *[-]* to select a value between 0 and 255.

Colour selection

Use the coloured buttons to select a colour tone in any mode. The following assignment applies:

Button	Colour	Button	Colour	Button	Colour
0	Cyan	5	Light red	R	Red
1	Purple	6	Light green	G	Green
2	Magenta	7	Light blue	B	Blue
3	Orange	8	Yellow	A	Amber
4	Cold white	9	Warm white	W	White

7.3 DMX mode

Functions in 3-channel DMX mode

Channel	Value	Function
1	0...255	Intensity red (0 %...100 %)
2	0...255	Intensity green (0 %...100 %)
3	0...255	Intensity blue (0 %...100 %)

Functions in 4-channel DMX mode

Channel	Value	Function
1	0...255	Dimmer (0 %...100 %)
2	0...255	Intensity red (0 %...100 %)
3	0...255	Intensity green (0 %...100 %)
4	0...255	Intensity blue (0 %...100 %)

Functions in 8-channel DMX mode

In 8-channel mode, multiple devices can be grouped through an identical DMX address. Press *[Setup]* and assign an ID in a range from '1d.01'... '1d.66'. You can directly control single or multiple devices through the assigned ID via channel 7.

Channel	Value	Function
1	0...255	Dimmer (0 %...100 %)
2	0...255	Intensity Red (0 %...100 %), if channel 6 = 0
	If channel 6 = 1...24: Constant colour, hue is defined via channel 2	
	0...8	Red: 255
	9...17	Red: 255, Green: 50
	18...26	Red: 255, Green: 150
	27...35	Red: 255, Green: 255
	36...44	Red: 200, Green 255
	45...53	Red: 100, Green: 255
	54...62	Red: 40, Green: 255
	63...71	Green: 255
	72...80	Green: 255, Blue: 50
	81...89	Green: 255, Blue: 150

Channel	Value	Function
	90...98	Green: 255, Blue: 255
	99...107	Green: 150, Blue: 255
	108...116	Green: 50, Blue: 255
	117...125	Blue: 255
	126...134	Red: 50, Blue: 255
	135...143	Red: 150, Blue: 255
	144...152	Red: 255, Blue: 255
	153...161	Red: 220, Blue: 255
	162...170	Red: 150, Green: 50, Blue: 100
	171...179	Red: 50, Green: 180, Blue: 220
	180...188	Red: 50, Green: 220, Blue: 100
	189...197	Red: 150, Green: 220
	198...206	Red: 150, Blue: 220
	207...215	Green: 180, Blue: 220
	216...224	Green: 220, Blue: 50
	225...233	Red: 220, Green: 100, Blue: 50

Channel	Value	Function
	234...242	Red: 220, Green: 200, Blue: 100
	243...251	Red: 255, Green: 200, Blue: 150
	252...255	Red: 255, Green: 255, Blue: 255
	If channel 6 = 25...249: Programme running speed	
	0...255	Slow...fast
	If channel 6 = 250...255: Sound control response characteristic	
	0...255	Slow...fast
3	0...255	Intensity Green (0 %...100 %), if channel 6 = 0
4	0...255	Intensity Blue (0 %...100 %), if channel 6 = 0
5	0...9	No function
	10...255	Strobe effect flash frequency, slow...fast
6	0	RGB mix, constant, colour setting via channel 2...4
	1...24	Constant colour, setting via channel 2
	25...49	Programme Pr02, fading seven colours
	50...74	Programme Pr03, fading three colours
	75...99	Programme Pr04, rapid change seven colours

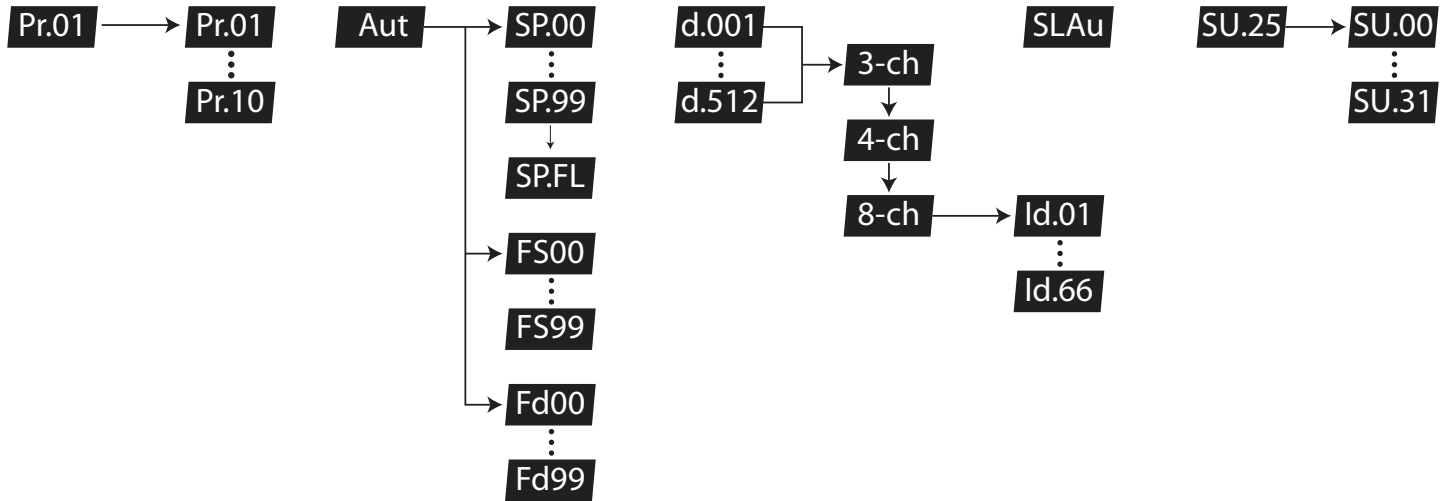
Channel	Value	Function
	100...124	Programme Pr05, rapid change three colours
	125...149	Programme Pr06, random 1
	150...174	Programme Pr07, random 2
	175...199	Programme Pr08, fading red only
	200...224	Programme Pr09, fading green only
	225...249	Programme Pr10, fading blue only
	250...255	Sound control
7	You can directly control single or multiple devices of a group via channel 7 by assigning the same ID.	
	0...9	ID1...ID66
	10...19	ID1
	20...29	ID2
	30...39	ID3
	40...49	ID4
	50...59	ID5
	60...69	ID6
	70...79	ID7

Channel	Value	Function
	80...89	ID8
	90...99	ID9
	100...109	ID10
	110...119	ID11
	120...129	ID12
	130...139	ID13
	140...149	ID14
	150...159	ID15
	160...169	ID16
	170...179	ID17
	180...189	ID18
	190...199	ID19
	200...209	ID20
	210	ID21
	211	ID22
	212	ID23

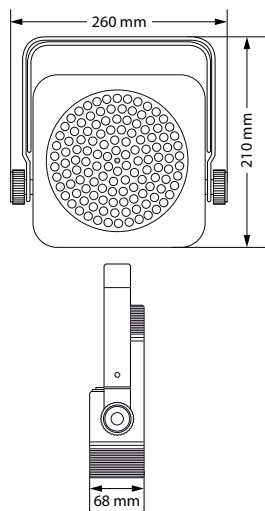
Channel	Value	Function

	254	ID65
	255	ID66
8	0...250	No function
	251...255	Delayed LED power-up

7.4 Menu overview



8 Technical specifications



		LED Flood Panel 150 20°	LED Flood Panel 150 40°
		Item no. 235358	Item no. 235359
Light source	150 × 10 mm LEDs (48 × red, 51 × green, 51 × blue)		
Optical properties	Beam angle	20 °	40 °
Control	DMX		
	Remote control (optional)		
Number of DMX channels	3, 4, 8		
Input connections	Power supply	IEC chassis plug C14	
	DMX control	XLR chassis socket, 3-pin	
Output connections	Power supply	IEC chassis socket C13	
	DMX control	XLR chassis socket, 3-pin	
Power consumption	18 W		
Supply voltage	100 – 240 V ~ 50/60 Hz		
Battery remote control	Lithium-ion button cell CR2025, 3 V		

		LED Flood Panel 150 20° Item no. 235358	LED Flood Panel 150 40° Item no. 235359
Fuse	5 mm × 20 mm, 1 A, 250 V, slow-blow		
Degree of protection	IP20		
Mounting options	Hanging, standing		
Dimensions (W × H × D)	260 mm × 210 mm × 68 mm		
Weight	1.8 kg		
Ambient conditions	Temperature range	0 °C...40 °C	
	Relative humidity	20 %...80 % (non-condensing)	

Further information

	LED Flood Panel 150 20° Item no. 235358	LED Flood Panel 150 40° Item no. 235359
Design	Flat PAR	Flat PAR
Colour mixture	RGB	RGB
LED type	Uni-coloured	Uni-coloured
Floor housing	yes	yes
Fanless	yes	yes
Remote control	optional	optional
Wireless DMX	no	no
Housing colour	black	black

9 Plug and connection assignments

Introduction

This chapter will help you select the right cables and plugs to connect your valuable equipment so that a perfect light experience is guaranteed.

Please take our tips, because especially in 'Sound & Light' caution is indicated: Even if a plug fits into a socket, the result of an incorrect connection may be a destroyed DMX controller, a short circuit or 'just' a not working light show!

DMX connections

The unit offers a 3-pin XLR socket for DMX output and a 3-pin XLR plug for DMX input. Please refer to the drawing and table below for the pin assignment of a suitable XLR plug.



Pin	Configuration
1	Ground, shielding
2	Signal inverted (DMX-, 'cold signal')
3	Signal (DMX+, 'hot signal')

10 Troubleshooting



NOTICE!

Possible data transmission errors

For error-free operation make use of dedicated DMX cables and do not use ordinary microphone cables.

Never connect the DMX input or output to audio devices such as mixers or amplifiers.

In the following we list a few common problems that may occur during operation. We give you some suggestions for easy troubleshooting:

Symptom	Remedy
The unit does not work, no light	Check the mains connection and the main fuse.
No response to the DMX controller	<ol style="list-style-type: none"> <li data-bbox="887 281 1520 468">1. If the unit is in DMX mode and a DMX controller is connected and turned on, the DMX indicator (7) behind the first digit of the display will flash. If it doesn't, no valid DMX signal is received. Check whether the DMX controller is switched on. Check the DMX connectors and cables for proper connection. <li data-bbox="887 471 1520 580">2. If the display is not flashing but there is still no response, check the address settings and the DMX polarity. <li data-bbox="887 583 1520 628">3. Try using another DMX controller. <li data-bbox="887 631 1520 725">4. Check whether the DMX cables run near or parallel to high-voltage cables that may cause damage or interference to a DMX interface circuit.
No response to the remote control	<ol style="list-style-type: none"> <li data-bbox="887 745 1520 813">1. Try using the remote control at a different angle to the IR sensor on the front panel of the device. <li data-bbox="887 816 1520 861">2. Move the remote control closer to the unit. <li data-bbox="887 864 1520 898">3. Check the remote control battery.

If the procedures recommended above do not succeed, please contact our Service Center. You can find the contact information at www.thomann.de.

11 Cleaning

Optical lenses

Clean the optical lenses, that are accessible from the outside, regularly in order to optimize the light output. The frequency of cleaning depends on the operating environment: wet, smoky or particularly dirty surroundings can cause more accumulation of dirt on the optics of the device.

- Clean with a soft cloth using our lamp and lens cleaner (item no. 280122).
- Always dry the parts carefully.

Fan grids

The fan grids of the device must be cleaned of any contamination, such as dust, etc. on a regular basis. Before cleaning, switch off the device and disconnect mains-operated devices from the mains. Only use pH-neutral, solvent-free and non-abrasive cleaning agents. Clean the unit with a slightly damp lint-free cloth.

12 Protecting the environment

Disposal of the packaging material



For the packaging, environmentally friendly materials have been chosen that can be supplied to normal recycling.

Ensure that plastic bags, packaging, etc. are properly disposed of.

Do not just dispose of these materials with your normal household waste, but make sure that they are collected for recycling. Please follow the notes and markings on the packaging.

Disposal of batteries



Batteries must not be thrown away or incinerated; they must be disposed of in accordance with local regulations for the disposal of hazardous waste. Use the existing collection points for this.

Only dispose of lithium batteries when they are discharged. Remove replaceable lithium batteries from the device before disposal. Protect used lithium batteries against short circuits, for example by covering the poles with adhesive tape. Permanently built-in lithium batteries must be disposed of together with the device. Please inquire about an appropriate collection point.

Disposal of your old device



This product is subject to the European Waste Electrical and Electronic Equipment Directive (WEEE) in its currently valid version. Do not dispose with your normal household waste.

Dispose of this device through an approved waste disposal firm or through your local waste facility. When discarding the device, comply with the rules and regulations that apply in your country. If in doubt, consult your local waste disposal facility.

