



Wind Up 85 kg TÜV

Lighting Stand

Thomann GmbH

Hans-Thomann-Straße 1

96138 Burgebrach

Germany

Telephone: +49 (0) 9546 9223-0

Internet: www.thomann.de

13.05.2024, ID: 262255 (V2)

Table of contents

1	General information.....	5
	1.1 Symbols and signal words.....	5
2	Safety instructions.....	7
3	Features.....	9
4	Operation.....	10
5	Technical specifications.....	16
6	EU Declaration of Conformity.....	17
7	Protecting the environment.....	19



4 Wind Up 85 kg TÜV
Lighting Stand


1 General information

This document contains important instructions for the safe operation of the product. Read and follow the safety instructions and all other instructions. Keep the document for future reference. Make sure that it is available to all those using the product. If you sell the product to another user, be sure that they also receive this document.

Our products and documentation are subject to a process of continuous development. They are therefore subject to change. Please refer to the latest version of the documentation, which is ready for download under www.thomann.de.

1.1 Symbols and signal words

In this section you will find an overview of the meaning of symbols and signal words that are used in this document.

Signal word	Meaning
DANGER!	This combination of symbol and signal word indicates an immediate dangerous situation that will result in death or serious injury if it is not avoided.
CAUTION!	This combination of symbol and signal word indicates a possible dangerous situation that can result in minor injury if it is not avoided.
NOTICE!	This combination of symbol and signal word indicates a possible dangerous situation that can result in material and environmental damage if it is not avoided.
Warning signs	Type of danger
	Warning – danger zone.

2 Safety instructions

Intended use

This light stand is intended to be used for the stable mounting and height-adjustable positioning of spotlights. Use the device only as described in this user manual. Any other use or use under other operating conditions is considered to be improper and may result in personal injury or property damage. No liability will be assumed for damages resulting from improper use.

This device may be used only by persons with sufficient physical, sensorial, and intellectual abilities and having corresponding knowledge and experience. Other persons may use this device only if they are supervised or instructed by a person who is responsible for their safety.

Safety



DANGER!

Risk of injury and choking hazard for children!

Children can suffocate on packaging material and small parts. Children can injure themselves when handling the product. Never allow children to play with the packaging material and the product. Always store packaging material out of the reach of babies and small children. Always dispose of packaging material properly when it is not in use. Never allow children to use the product without supervision. Keep small parts away from children and make sure that the product does not shed any small parts that children could play with.



CAUTION!

Risk of injury due to tipping of the stand during loaded transport!

If the stand is moved without having removed the installed devices, the stand may tip over and cause injuries and property damage. Remove the installed devices before transporting the stand.



CAUTION!

Risk of injury due to tipping of stand on an unsuitable ground!

When the stand is installed on soft or uneven ground, the stand may tip over and cause injuries and property damage. Install the stand only on even and solid ground.



CAUTION!

Risk of injury due to tipping of the stand from excessive loading!

In case of excessive loading, the stand might tip over, causing injury and property damage. Never exceed the specified maximum load for the stand.



CAUTION!

Risk of injury due to tipping of the stand from excessive or one-sided loading of the truss beam.

In case of excessive or one-sided loading of the truss beam the stand might tip over, causing injury and property damage. Never exceed the specified maximum load for the truss beam. Spread the weight of the mounted devices evenly on the truss beam.



CAUTION!

Risk of injury due to inadequate minimum load during disassembly!

If the stand is cranked down without bearing a minimum load, the steel rope can jam. The extension tube can sag unexpectedly and cause injury and property damage. Make sure that the stand is always loaded with the specified minimum load when it is cranked down.



NOTICE!

Possible staining due to plasticiser in rubber feet!

The plasticiser contained in the rubber feet of this product may react with the coating of the floor and cause permanent dark stains after some time. If necessary, use a suitable mat or felt slide to prevent direct contact between the device's rubber feet and the floor.

3 Features

Special characteristics:

- Crank stand with three feet
- Two telescopes, extendable by means of a crank
- 3/8-inch mount (suitable for holding speakers with a 35 mm flange)
- Maximum load capacity: 85 kg
- Maximum height: 4 m
- Truss beam included
- Optional truss adapter: Item no. 337351
- Optional transport case: item no. 509574

4 Operation

Unpack and check carefully there is no transportation damage before using the product. Keep the equipment packaging. To fully protect the product against vibration, dust and moisture during transportation or storage use the original packaging or your own packaging material suitable for transport or storage, respectively.



CAUTION!

Risk of injury due to tipping of the stand during loaded transport!

If the stand is moved without having removed the installed devices, the stand may tip over and cause injuries and property damage.

Remove the installed devices before transporting the stand.



CAUTION!

Risk of injury due to tipping of stand on an unsuitable ground!

When the stand is installed on soft or uneven ground, the stand may tip over and cause injuries and property damage.

Install the stand only on even and solid ground.



CAUTION!

Risk of injury due to tipping of the stand from excessive loading!

In case of excessive loading, the stand might tip over, causing injury and property damage.

Never exceed the specified maximum load for the stand.



CAUTION!

Risk of injury due to tipping of the stand from excessive or one-sided loading of the truss beam.

In case of excessive or one-sided loading of the truss beam the stand might tip over, causing injury and property damage.

Never exceed the specified maximum load for the truss beam.

Spread the weight of the mounted devices evenly on the truss beam.



CAUTION!

Risk of injury due to inadequate minimum load during disassembly!

If the stand is cranked down without bearing a minimum load, the steel rope can jam. The extension tube can sag unexpectedly and cause injury and property damage.

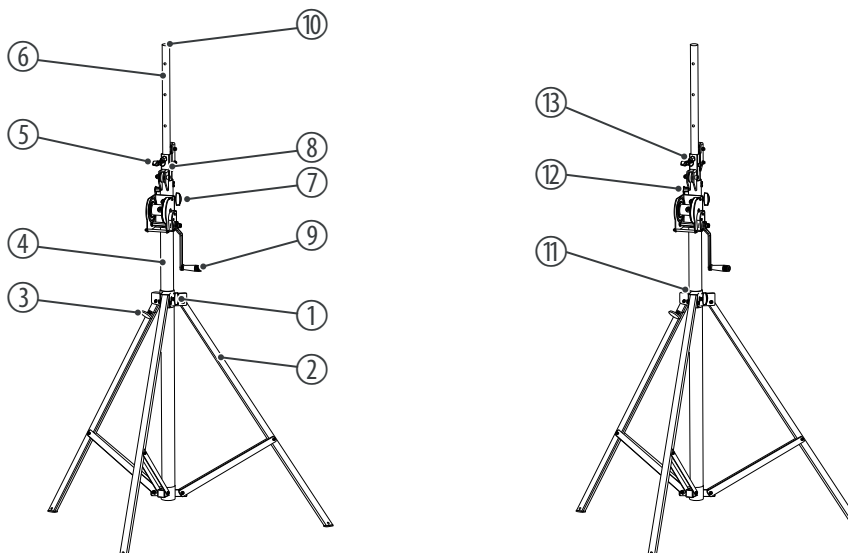
Make sure that the stand is always loaded with the specified minimum load when it is cranked down.



Comply with regulations

When installing and operating, make sure to follow the standards and regulations that apply in your country.

Setup



1. ➤ Loosen safety screw [1] on the carriage. Pull safety bolt [11] out of main tube [4] and unfold stand feet [2] until safety bolt [11] engages in the desired position in main tube [4].
2. ➤ Fix the position with safety screw [1] on the carriage.

- 3.** ▶ In case of uneven ground, loosen safety screw [3] of the adjustable foot, pull out the corresponding safety bolt and align the foot so that the stand is horizontal and stable on the ground. Fix the position with safety screw [3].
- 4.** ▶ Flange the truss beam onto the mount for the truss beam at the top end of stand [10] and tighten the safety screw of the mount. Attach the spotlights. Pay attention to an even weight distribution to reach a centric load of the stand. Never exceed the maximum load of 85 kg specified for the stand.
- 5.** ▶ Loosen safety screw [5] on the tube clamp of square tube [8]. Pull safety bolt [13] out of upper extension tube [6] and crank the upper extension tube clockwise with crank [9] until safety bolt [13] engages in the desired position in the upper extension tube.
- 6.** ▶ Fix the extension tube in place with safety screw [5] on the tube clamp of square tube [8].
- 7.** ▶ Loosen safety screw [7] on the tube clamp of main tube [4]. Pull safety bolt [12] out of square tube [8] and crank the square tube clockwise with crank [9] until safety bolt [12] engages in the desired position in the square tube.
- 8.** ▶ Fix the square tube in place with safety screw [7] on the tube clamp of main tube [4].
- 9.** ▶ Turn crank [9] slightly anti-clockwise to avoid over-tensioning the wire rope.

Disassembly

- 1.** ▶ Loosen safety screw [7] on the tube clamp of main tube [4]. Pull safety bolt [12] out of square tube [8] and crank the square tube all the way down with crank [9].
- 2.** ▶ Fix the square tube in place with safety screw [7].
- 3.** ▶ Loosen safety screw [5] on the tube clamp of square tube [8]. Pull safety bolt [13] out of upper extension tube [6] and crank the upper extension tube all the way down with crank [9]. Do not crank down the extension tubes without a minimum load of 25 kg.
- 4.** ▶ Fix the extension tube in place with safety screw [5].
- 5.** ▶ Remove the spotlights. During disassembly, pay attention to an even weight distribution to reach a centric load of the stand.
- 6.** ▶ Loosen the safety screw of the mount and detach the truss beam.
- 7.** ▶ Loosen safety screw [3] of the adjustable foot, pull out the corresponding safety bolt and push the foot completely into the tube. Fix the position with safety screw [3].
- 8.** ▶ Loosen safety screw [1] on the carriage. Pull safety bolt [11] out of main tube [4] and fold up stand feet [2].
- 9.** ▶ Fix the position with safety screw [1] on the carriage.
- 10.** ▶ Pack the individual parts of the system in their original packaging if possible, and store the package in a dry place protected against moisture.

5 Technical specifications

Height, min.	2.05 m
Height, max.	4.00 m
Mount type	3/8-inch mount; flange, Ø 35 mm
Stand footprint, max.	1.50 m
Load, max. (with centric load)	85 kg
Load, min. (with centric load)	25 kg
Transport dimension	1.75 m
Weight	25 kg
Truss beam dimensions	1,300 mm × 35 mm × 35 mm

6 EU Declaration of Conformity

Name and address of manufacturer / EU-AR	Thomann GmbH Hans-Thomann-Straße 1 96138 Burgebrach Germany
THIS DECLARATION OF CONFORMITY IS ISSUED UNDER THE SOLE RESPONSIBILITY OF:	
Name and address of manufacturer	Thomann GmbH Hans-Thomann-Straße 1 96138 Burgebrach Germany
Product identification	262255 Varytec Wind Up 85 kg TÜV
THE PRODUCTS MENTIONED IN THIS DECLARATION ARE IN CONFORMITY WITH:	
EU Community Legislation	Machinery Directive 2006/42/EC [OJEU L157/24-86, 09.06.2006]
Harmonised standards	Safety of machinery EN 1005-3:2002 + A1:2008 EN 13157:2004 + A1:2009 EN ISO 12100:2010

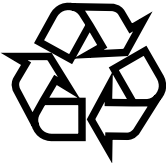
SIGNED FOR AND ON BEHALF OF:

Place and date of issue

Burgebrach, 07 April 2021

7 Protecting the environment

Disposal of the packing material



Environmentally friendly materials have been chosen for the packaging. These materials can be sent for normal recycling. Ensure that plastic bags, packaging, etc. are disposed of in the proper manner.

Do not dispose of these materials with your normal household waste, but make sure that they are collected for recycling. Please follow the instructions and markings on the packaging.



Observe the disposal note regarding documentation in France.

