




STARVILLE

RED 1500 Fog
Machine
fog machine

Musikhaus Thomann e.K.

Treppendorf 30

96138 Burgebrach

Germany

Telephone: +49 (0) 9546 9223-0

E-mail: info@thomann.de

Internet: www.thomann.de

24.09.2014, ID: 267195

Table of contents

1	General notes	4
2	Safety instructions	7
3	Features	13
4	Installation	14
5	Starting up	15
6	Connections and operating elements	17
7	Operating	23
	7.1 Remote control functions.....	25
	7.2 Functions in operating mode 'DMX'.....	27
8	Technical specifications	31
9	Troubleshooting	32
10	Cleaning	34
11	Protecting the environment	36

1 General notes






This user manual contains important information on safe operation of the device. Read and follow all safety notes and all instructions. Save this manual for future reference. Make sure that it is available to all persons using this device. If you sell the device to other users, be sure that they also receive this manual.

Our products are subject to a process of continuous development. We therefore reserve the right to make changes without notice.

Symbols and signal words

This section provides an overview of the symbols and signal words used in this user manual.

Signal word	Meaning
DANGER!	This combination of symbol and signal word indicates an immediate dangerous situation that will result in death or serious injury if it is not avoided.
WARNING!	This combination of symbol and signal word indicates a possible dangerous situation that can result in death or serious injury if it is not avoided.
CAUTION!	This combination of symbol and signal word indicates a possible dangerous situation that can result in minor injury if it is not avoided.
NOTICE!	This combination of symbol and signal word indicates a possible dangerous situation that can result in material and environmental damage if it is not avoided.

Warning signs	Type of danger
	Warning – high-voltage.
	Warning – flammable substances.
	Warning – hot surface.
	Warning – harmful or irritating substances.
	Warning – danger zone.

2 Safety instructions

Intended use

This device is intended to be used to produce artificial fog by vaporising fog fluid. Use the device only as described in this user manual. Any other use or use under other operating conditions is considered to be improper and may result in personal injury or property damage. No liability will be assumed for damages resulting from improper use.

This device may be used only by persons with sufficient physical, sensorial, and intellectual abilities and having corresponding knowledge and experience. Other persons may use this device only if they are supervised or instructed by a person who is responsible for their safety.

Safety



DANGER!

Danger for children

Ensure that plastic bags, packaging, etc. are disposed of properly and are not within reach of babies and young children. Choking hazard!

Ensure that children do not detach any small parts (e.g. knobs or the like) from the unit. They could swallow the pieces and choke!

Never let children unattended use electrical devices.



DANGER!

Electric shock caused by high voltages inside

Within the device there are areas where high voltages may be present. Never remove any covers.

There are no user-serviceable parts inside.



DANGER!

Electric shock caused by short-circuit

Do not modify the mains cable or the plug. Failure to do so could result in electric shock/death or fire. If in doubt, seek advice from a registered electrician.



WARNING!

Risk of burns from flammable liquids

The use of flammable liquids in this device may cause severe burns and damage to property.

Always use approved fog fluids. Never fill flammable liquids into the tank of the device.



WARNING!

Risk of burns

The generated fog at the fog nozzle is hot and can cause burns. Occasionally hot fluid drops may escape from the nozzle.

The distance of persons and objects to the fog nozzle must be at least fifty centimetre (1.6 feet).

Do not touch the fog nozzle during and shortly after operation. It becomes very hot and may cause burns even several hours after switching off the device.



WARNING!

Risk of slipping caused by condensation

Fog machines can produce condensation. Do not direct the fog to floors. Floors and surfaces can become slippery by condensed fog.

Check at regular intervals whether it is possible to walk on the floors without a slipping hazard, and, if necessary, remove the condensation.



WARNING!

Health hazard caused by fog fluid handling

Fog fluid does contain glycols complying with the regulations for foodstuffs. However, it may be harmful if swallowed.

Do not induce vomiting. Seek medical advice immediately. Keep fog fluid in a safe place. If the fog fluid comes into contact with eyes rinse thoroughly with water.



CAUTION!

Possible respiratory problems

The device can be operated safely only with the approved fog fluid. The use of other fluids can release toxic gases. Claims for damages caused by the use of non-approved fluids shall be excluded.

Do not create fog in closed or poorly ventilated areas.

Do not expose persons with health problems (such as allergic respiratory conditions, asthma) to artificial fog.



NOTICE!

Risk of fire

Do not cover the device nor any ventilation slots. Do not place the device near any direct heat source. Keep the device away from naked flames.



NOTICE!

Operating conditions

This device has been designed for indoor use only. To prevent damage, never expose the device to any liquid or moisture. Avoid direct sunlight, heavy dirt, and strong vibrations.



NOTICE!

Power supply

Before connecting the device, ensure that the input voltage (AC outlet) matches the voltage rating of the device and that the AC outlet is protected by a residual current circuit breaker. Failure to do so could result in damage to the device and possibly injure the user.

Unplug the device before electrical storms occur and when it is unused for long periods of time to reduce the risk of electric shock or fire.

3 Features

This fog machine is especially suitable to be used for fire practice.

Special features of the device:

- Control via DMX (4 channels) or remote control (included)
- Suitable for mobile use
- Large fog fluid container

4 Installation

Unpack and carefully check that there is no transportation damage before using the unit. Keep the equipment packaging. To fully protect the device against vibration, dust and moisture during transportation or storage use the original packaging or your own packaging material suitable for transport or storage, respectively.

Place the device on a level surface. The device must not be positioned with more than 15° inclination during operation. The unit requires 20 cm clearance on the sides and above.

5 Starting up

Establish all connections as long as the unit is switched off. Use the shortest possible high-quality cables for all connections.



NOTICE!

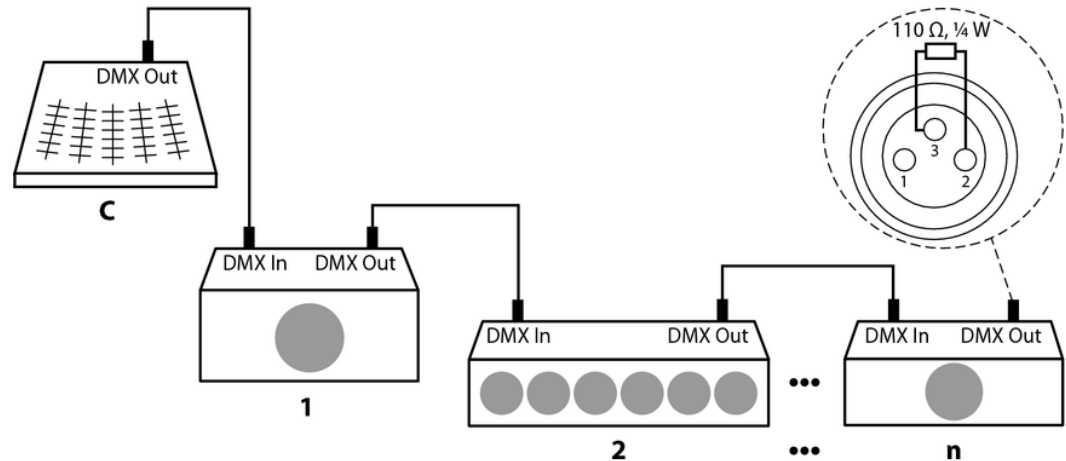
Possible data transmission errors

For error-free operation make use of dedicated DMX cables and do not use ordinary microphone cables.

Never connect the DMX input or output to audio devices such as mixers or amplifiers.

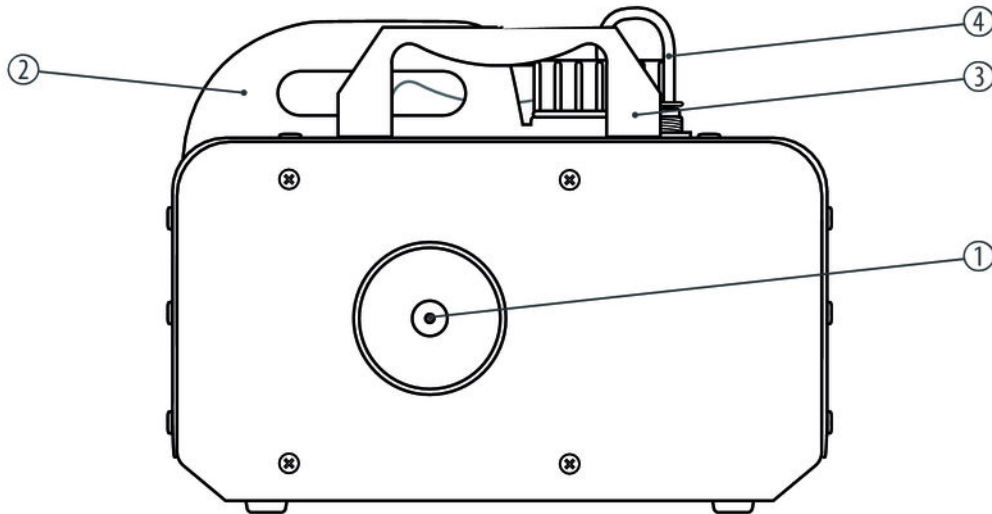
Connections in DMX mode

Connect the DMX input of the device to the DMX output of a DMX controller or another DMX device. Connect the output of the first DMX device to the input of the second one, and so on to form a daisy chain. Always ensure that the output of the last DMX device in the daisy chain is terminated with a resistor ($110\ \Omega$, $\frac{1}{4}\text{ W}$).



6 Connections and operating elements

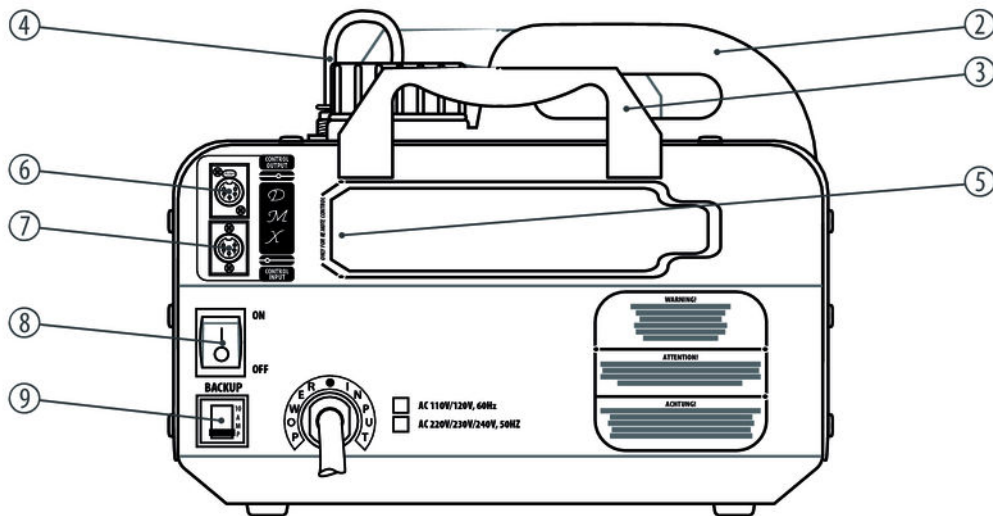
Front panel



RED 1500 Fog Machine

1	Fog nozzle.
2	Fluid container with screw-cap.
3	Carrying handle.
4	Fog fluid feed line from fluid container to vaporiser.

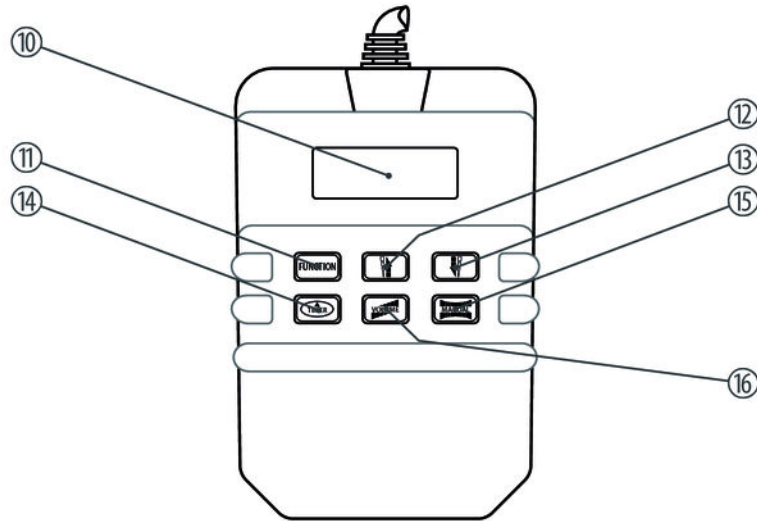
Rear panel



RED 1500 Fog Machine

2	Fluid container with screw-cap.
3	Carrying handle.
4	Fog fluid feed line from fluid container to vaporiser.
5	Connection and storage compartment for the remote control.
6	CONTROL OUTPUT DMX output.
7	CONTROL INPUT DMX input.
8	Main switch to turn the device on or off.
9	BACKUP Resettable fuse.

Remote control



RED 1500 Fog Machine

10	Display.
11	<i>[FUNCTION]</i> button To choose from the various setting options and menu items.
12	↑ button To increase the displayed value by one.
13	↓ button To decrease the displayed value by one.
14	<i>[TIMER]</i> button Enters or exits the Timer function.
15	<i>[MANUAL]</i> button Triggers a maximum fog burst as long as the button is pressed.
16	<i>[VOLUME]</i> button Enters or exits the continuous operation with adjustable fog quantity.

7 Operating

Filling the unit

**NOTICE!****Possible damages caused by unsuitable fog fluid**

Fog liquids not approved by the manufacturer may permanently damage the unit.

Only use the fog fluids listed on www.thomann.de and follow their instructions for use.

First, make sure the unit is switched off.

Open the screw-cap of the container and fill in the fog fluid. Make sure that no fluid is spilled or gets into the device. The easiest way is using a funnel. The container capacity is 6 litre.

Screw the cap firmly back in.

Turning the unit on



NOTICE!

Fire hazard

Do not operate the machine unattended.

Make sure that the remote control is connected.

Connect the device to the power grid and turn it on with the main switch. The unit is heating up and the display shows *'Warming Up'*.

As soon as the required operating temperature is reached, the display shows *'Ready To Fog'*.

When operating, always ensure that there is sufficient fluid in the fog liquid container, to avoid no-load running.

Turning the unit off

Turn off the power using the main switch. Transport the device only when it is completely cooled down. To avoid leaking fog fluid during transport, you should transport the device only with empty fluid container.

7.1 Remote control functions

Manual operation with maximum fog quantity

Press *[MANUAL]*. As long as you press the button, the maximum fog quantity is being output. This mode takes precedence over all others. This means that you don't have to stop the timer function or continuous operation before you press the button.

Continuous operation with adjustable fog quantity

1. ▶ Press *[FUNCTION]* repeatedly until the display shows 'Timer Out'. Now you can adjust the fog output between 0 % and 100 % with the arrow keys.
2. ▶ Press *[VOLUME]* to activate the continuous operation.
3. ▶ To exit continuous operation press *[VOLUME]* again.

Timer-controlled operation with adjustable fog quantity

1. ▶ Press *[FUNCTION]* repeatedly until the display shows 'Timer Out'. Now you can adjust the fog output between 0 % and 100 % with the arrow keys.
2. ▶ Press *[FUNCTION]* repeatedly until the display shows 'Duration Set'. Now you can adjust the duration of each fog burst in a range of one to 200 seconds with the arrow keys.
3. ▶ Press *[FUNCTION]* repeatedly until the display shows 'Interval Set'. Now you can adjust the time intervals between fog bursts in a range between one and 200 seconds with the arrow keys.
4. ▶ Press *[TIMER]* to activate the Timer function.
 - ⇒ Between fog bursts, the display counts down the seconds until the next fog burst.
During fog burst, the seconds until the burst ends are counted down.
5. ▶ To exit the Timer function, press *[TIMER]* again.

7.2 Functions in operating mode 'DMX'

Setting the DMX address

As soon as the device is connected to a DMX controller, the display shows 'DMX512 ADD* xxx'. Now you can set the DMX address of the device between 1 and 512 with the arrow keys.

DMX channel allocation

Channel	Value	Function
1	Operating mode selection	
	0...13	Fog generation off; channels 2, 3 and 4 without function
	14...127	Continuous operation, channel 2 controls output volume; channels 3 and 4 without function
	128...231	Timer-controlled operation, channel 2 controls output volume, timer-control via channels 3 and 4
	232...255	Continuous operation with maximum output volume
2	Output volume in timer-controlled operation and continuous operation	

Channel	Value	Function
	0...255	0 % (no fog output) ... 100 % (maximum output volume)
3	Fog burst duration in timer-controlled operation	
	0	1 s
	5...29	13 s
	23...54	33 s
	55...79	53 s
	80...104	73 s
	105...129	92 s
	130...154	112 s
	155...179	131 s
	180...204	151 s
	205...229	170 s
	230...254	190 s

Channel	Value	Function
	255	200 s
4	Time interval between 2 fog bursts in timer-controlled operation	
	0	1 s
	5...29	13 s
	23...54	33 s
	55...79	53 s
	80...104	73 s
	105...129	92 s
	130...154	112 s
	155...179	131 s
	180...204	151 s
	205...229	170 s

Channel	Value	Function
	230...254	190 s
	255	200 s

8 Technical specifications

Heater power	1.500 W
Fog output	approx. 560 m ³ /min
Fluid container capacity	6 l
Warm-up time	approx. 10 min
Operating supply voltage	AC 230 V ~ , 50 Hz
Fuse	10 A / 250 V, resettable
Dimensions (B × D × H)	300 mm × 620 mm × 210 mm
Weight	15 kg

9 Troubleshooting

In the following we list a few common problems that may occur during operation. We give you some suggestions for easy troubleshooting:

Symptom	Remedy
The unit does not work.	Check the mains connection and the main fuse.
No response to the DMX controller.	1. Check the DMX ports and cables for proper connection.
	2. Check the address settings and the DMX polarity.
	3. Try using another DMX controller.
	4. Check to see if the DMX cables run near or alongside to high voltage cables that may cause damage or interference to DMX interface circuits.
The unit does not eject any fog.	1. Check the fluid level in the fog container.
	2. Check the connection to the remote control.
	3. Switch the device off and check the hose that leads into the fluid container for flow.

If the procedures recommended above do not succeed, please contact our Service Center. You can find the contact information at www.thomann.de.

10 Cleaning



NOTICE!

Possible damages caused by unsuitable cleaning agents

Cleaners not approved by the manufacturer may permanently damage the unit.

Only use the fog machine cleaners listed on www.thomann.de and follow their instructions for use.

Clean the appliance after every 30 operating hours, or if it was not in use for a longer period of time.

Procedure

- 1.** ➤ Make sure that the device is turned off, disconnected from the mains and completely cooled down.
- 2.** ➤ Place the unit in a well ventilated place.
- 3.** ➤ Take the suction hose out of the fluid container of the fog machine and put it into the bottle with the cleaning fluid.
- 4.** ➤ Connect the device to the mains and turn it on with the main switch.
- 5.** ➤ Wait until the required operating temperature has been reached.

- 6.** ▶ Switch the unit to continuous operation and release fog for about 20 seconds.
- 7.** ▶ Put the suction hose back into the fluid container of the fog machine and release fog for another 20 seconds. This rinses the pipes.
 - ⇒ The cleaning is completed.

11 Protecting the environment

Disposal of the packaging material



For the transport and protective packaging, environmentally friendly materials have been chosen that can be supplied to normal recycling.

Ensure that plastic bags, packaging, etc. are properly disposed of.

Do not just dispose of these materials with your normal household waste, but make sure that they are collected for recycling. Please follow the notes and markings on the packaging.

Disposal of your old device



This product is subject to the European Waste Electrical and Electronic Equipment Directive (WEEE). Do not dispose with your normal household waste.

Dispose of this device through an approved waste disposal firm or through your local waste facility. When discarding the device, comply with the rules and regulations that apply in your country. If in doubt, consult your local waste disposal facility.

RED 1500 Fog Machine



