

Mini Stage Par
4x8W QCL
RGBA/RGBW 25°/40°
LED PAR

Musikhaus Thomann
Thomann GmbH
Hans-Thomann-Straße 1
96138 Burgebrach
Germany
Telephone: +49 (0) 9546 9223-0
E-mail: info@thomann.de
Internet: www.thomann.de

17.02.2016, ID: 278662_278617_303022 (V2)

Table of contents

| | | |
|----------|--|-----------|
| 1 | General notes | 5 |
| | 1.1 Further information..... | 6 |
| | 1.2 Notational conventions..... | 7 |
| | 1.3 Symbols and signal words..... | 7 |
| 2 | Safety instructions | 10 |
| 3 | Features | 15 |
| 4 | Installation | 16 |
| 5 | Starting up | 20 |
| 6 | Connections and controls | 23 |
| 7 | Operation | 25 |
| | 7.1 Starting up the device..... | 25 |
| | 7.2 Main menu..... | 25 |
| | 7.3 Menu overview..... | 32 |
| | 7.4 Functions in 4-channel DMX mode..... | 33 |
| | 7.5 Functions in 6-channel DMX mode..... | 33 |

| | | |
|-----------|---|-----------|
| | 7.6 Functions in 8-channel DMX mode..... | 35 |
| 8 | Technical data..... | 37 |
| 9 | Plug and connection assignments..... | 40 |
| 10 | Troubleshooting..... | 41 |
| 11 | Cleaning..... | 43 |
| 12 | Protecting the environment..... | 44 |

1 General notes

This manual contains important instructions for the safe operation of the unit. Read and follow the safety instructions and all other instructions. Keep the manual for future reference. Make sure that it is available to all those using the device. If you sell the unit please make sure that the buyer also receives this manual.

Our products are subject to a process of continuous development. Thus, they are subject to change.

1.1 Further information

On our website (www.thomann.de) you will find lots of further information and details on the following points:

| | |
|-----------------------|---|
| Download | This manual is also available as PDF file for you to download. |
| Keyword search | Use the search function in the electronic version to find the topics of interest for you quickly. |
| Online guides | Our online guides provide detailed information on technical basics and terms. |
| Personal consultation | For personal consultation please contact our technical hotline. |
| Service | If you have any problems with the device the customer service will gladly assist you. |

1.2 Notational conventions

This manual uses the following notational conventions:

Letterings

The letterings for connectors and controls are marked by square brackets and italics.

Examples: *[VOLUME]* control, *[Mono]* button.



Displays


Texts and values displayed on the device are marked by quotation marks and italics.

Examples: *'24ch'*, *'OFF'*.

1.3 Symbols and signal words

In this section you will find an overview of the meaning of symbols and signal words that are used in this manual.

| Signal word | Meaning |
|---|--|
| DANGER! | This combination of symbol and signal word indicates an immediate dangerous situation that will result in death or serious injury if it is not avoided. |
| WARNING! | This combination of symbol and signal word indicates a possible dangerous situation that can result in death or serious injury if it is not avoided. |
| NOTICE! | This combination of symbol and signal word indicates a possible dangerous situation that can result in material and environmental damage if it is not avoided. |
| Warning signs | Type of danger |
|  | Warning – high-voltage. |
|  | Warning – suspended load. |

| Warning signs | Type of danger |
|---|------------------------|
|  | Warning – danger zone. |

2 Safety instructions

Intended use

This device is intended to be used as an electronic illumination effect using LED technics. The device is designed for professional use and is not suitable for use in households. Use the device only as described in this user manual. Any other use or use under other operating conditions is considered to be improper and may result in personal injury or property damage. No liability will be assumed for damages resulting from improper use.

This device may be used only by persons with sufficient physical, sensorial, and intellectual abilities and having corresponding knowledge and experience. Other persons may use this device only if they are supervised or instructed by a person who is responsible for their safety.

Safety**DANGER!****Danger for children**

Ensure that plastic bags, packaging, etc. are disposed of properly and are not within reach of babies and young children. Choking hazard!

Ensure that children do not detach any small parts (e.g. knobs or the like) from the unit. They could swallow the pieces and choke!

Never let children unattended use electrical devices.

**DANGER!****Electric shock caused by high voltages inside**

Within the device there are areas where high voltages may be present. Never remove any covers.

There are no user-serviceable parts inside.

Do not use the device if covers, protectors or optical components are missing or damaged.



DANGER!

Electric shock caused by short-circuit

Do not modify the mains cable or the plug. Failure to do so could result in electric shock/death or fire. If in doubt, seek advice from a registered electrician.



WARNING!

Eye damage caused by high light intensity

Never look directly into the light source.



WARNING!

Risk of epileptic shock

Strobe lighting can trigger seizures in photosensitive epilepsy. Sensitive persons should avoid looking at strobe lights.



NOTICE!

Risk of fire

Do not cover the device nor any ventilation slots. Do not place the device near any direct heat source. Keep the device away from naked flames.



NOTICE!

Operating conditions

This device has been designed for indoor use only. To prevent damage, never expose the device to any liquid or moisture. Avoid direct sunlight, heavy dirt, and strong vibrations.



NOTICE!

Power supply

Before connecting the device, ensure that the input voltage (AC outlet) matches the voltage rating of the device and that the AC outlet is protected by a residual current circuit breaker. Failure to do so could result in damage to the device and possibly injure the user.

Unplug the device before electrical storms occur and when it is unused for long periods of time to reduce the risk of electric shock or fire.

3 Features

The LED PAR is suited for nearly any kind of application, e.g. in clubs, bars, small stages and theatres. It is characterized by compact dimensions and great performance.

Special features of this device:

- 4 × 8 W LED (red, green, blue, white (RGBW) or amber-coloured (RGBA)
- Control via DMX (3 different modes) and via buttons and display on the unit
- 41 preprogrammed automatic shows
- Sound control
- Master / slave mode
- Robust die-cast aluminium housing

4 Installation

Unpack and carefully check that there is no transportation damage before using the unit. Keep the equipment packaging. To fully protect the device against vibration, dust and moisture during transportation or storage use the original packaging or your own packaging material suitable for transport or storage, respectively.



WARNING!

Risk of injury caused by falling objects

Make sure that the installation complies with the standards and rules that apply in your country. Always secure the device with a secondary safety attachment, such as a safety cable or a safety chain.



NOTICE!

Risk of overheating

Always ensure sufficient ventilation.

The ambient temperature must always be below 40 °C (104 °F).



NOTICE!

Use of stands

When mounting the device onto a stand, ensure that the stand is in a safe and stable position and that the weight of the device does not exceed the maximum permissible load capacity of the stand.



NOTICE!

Possible data transmission errors

For error-free operation make use of dedicated DMX cables and do not use ordinary microphone cables.

Never connect the DMX input or output to audio devices such as mixers or amplifiers.

Mounting options

You can install the device standing or hanging upside down. When in use, the device must be mounted at a solid surface or clamped to an approved truss. Use the openings of the bracket provided for mounting.

Work from a stable platform whenever you install or move the device or when you perform any kind of maintenance. Block access under the work area.

The safety cable must be attached to the bracket.



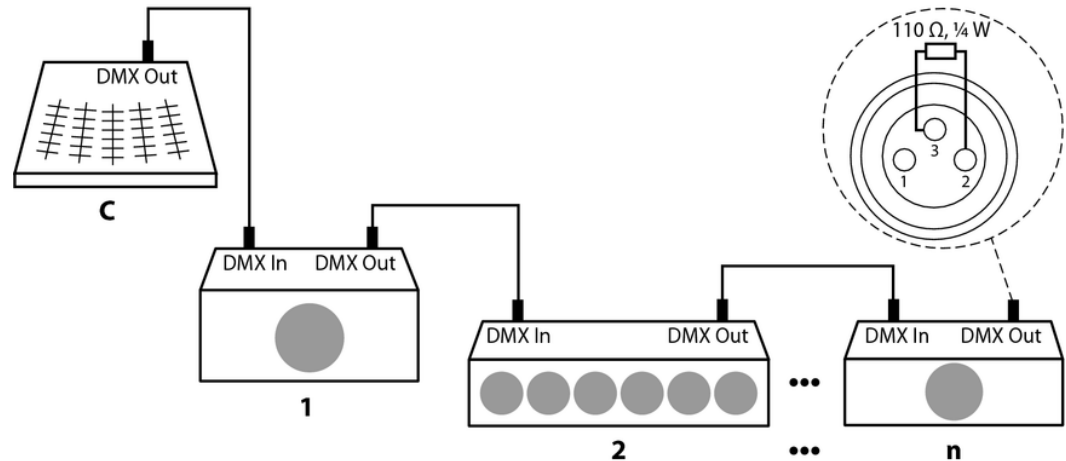
Please note that this device must not be connected to a dimmer.

5 Starting up

Establish all connections as long as the unit is switched off. Use the shortest possible high-quality cables for all connections.

Connections in DMX mode

Connect the DMX input of the device to the DMX output of a DMX controller or another DMX device. Connect the output of the first DMX device to the input of the second one, and so on to form a daisy chain. Always ensure that the output of the last DMX device in the daisy chain is terminated with a resistor ($110\ \Omega$, $\frac{1}{4}\ \text{W}$).



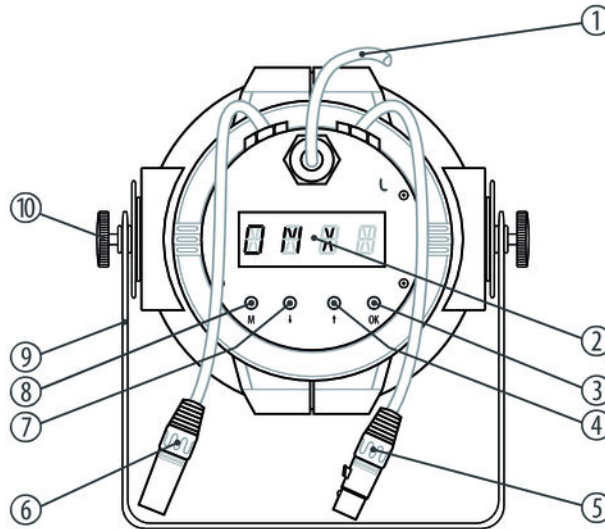
Mini Stage Par 4x8W QCL RGBA/RGBW 25°/40°

Connections in master/slave mode

When you configure a group of devices in master/slave mode, the first unit will control the other units for an automatic, sound-activated, synchronized show. This function is ideal when you want to start a show immediately. Connect the DMX output of the master device to the DMX input of the first slave device. Then connect the DMX output of the first slave device to the DMX input of the second slave device and so on.

6 Connections and controls

Front panel



Mini Stage Par 4x8W QCL RGBA/RGBW 25°/40°

| | |
|------|---|
| 1 | Power cord. |
| 2 | Display. |
| 3 | [OK] button Confirms a selected value. |
| 4, 7 | Buttons ↑, ↓ Increases / decreases the displayed value by one. |
| 5 | [DMX OUT] DMX output. |
| 6 | [DMX IN] DMX input. |
| 8 | [M] button Calls the main menu or a submenu. |
| 9 | Bracket for floor placement or hanging. |
| 10 | Locking screws for the mounting bracket. |

7 Operation

7.1 Starting up the device

Connect the unit to the power grid to start the operation. After a few seconds the display shows a running reset. Then the unit is ready for use.

7.2 Main menu

Press *[M]* to call the main menu and select an operating mode. Use the arrow keys to change the respectively shown value. When the display shows the desired value, press *[OK]*.

If you don't press any button for about one minute, the unit will return to the previous mode. The set values are retained even when the device is disconnected from the power supply.

DMX mode

Press *[M]*. Press one of the arrow keys repeatedly until the display shows 'SET'. Press *[OK]*. Press one of the arrow keys repeatedly until the display shows 'MODE'. Press *[OK]*. Now use the arrow keys to select one of the following DMX operating modes:

- '4CH' (four channels)
- '6CH' (six channels)
- '8CH' (eight channels)

This setting is only relevant if the device is controlled via DMX. When the display shows the desired value, press *[OK]* to confirm the selection. Then press *[M]* to return to the superordinate menu. To return to the superordinate menu without changes, press *[M]*.

DMX address

Press *[M]*. Press one of the arrow keys repeatedly until the display shows 'DMX'. Press *[OK]*. Now you can set the number of the first DMX channel to be used by the device (DMX address). Use the arrow keys to select a value between 1 and 512 (the display shows 'A001' ... 'A512').

When the display shows the desired value, press *[OK]* to confirm the selection. Then press *[M]* to return to the superordinate menu. To return to the superordinate menu without changes, press *[M]*.

Make sure that this number matches the configuration of your DMX controller. The following table shows the highest possible DMX address for the different DMX modes.

| Mode | Highest possible DMX address |
|-------------|-------------------------------------|
| 4-channel | 509 |
| 6-channel | 507 |
| 8-channel | 505 |

Operating mode 'Show/Master'

Press *[M]*. Press one of the arrow keys repeatedly until the display shows 'LINE'. Press *[OK]*. Press one of the arrow keys repeatedly until the display shows 'MA'. Press *[OK]*. Now you can select one of the 41 preprogrammed automatic shows. Use the arrow keys to select a value between 1 and 42 (the display shows 'P-01' ... 'P-42').

The automatic show can only be activated on the device that operates as 'Master'.

This setting is only relevant if the device is not controlled via DMX. The device can operate in standalone mode or control connected devices of the same type, that have to be configured as 'Slaves'. When the display shows the desired value, press *[OK]* to confirm the selection and then *[M]* to return to the superordinate menu. To return to the superordinate menu without changes, press *[M]*.

Operating mode 'Slave'

Press *[M]*. Press one of the arrow keys repeatedly until the display shows 'LINE'. Press *[OK]*. Press one of the arrow keys repeatedly until the display shows 'SL'. Press *[OK]*. Now you can set the number of the device by which it is addressed as slave by the master. Use the arrow keys to select a value between 1 and 512 (the display shows 'A001' ... 'A512').

This setting is only relevant if the device is operated as slave by a master, but is not controlled via DMX. When the display shows the desired value, press *[OK]* to confirm the selection and then *[M]* to return to the superordinate menu. To return to the superordinate menu without changes, press *[M]*.

Programme speed

Press *[M]*. Press one of the arrow keys repeatedly until the display shows 'SET'. Press *[OK]*. Press one of the arrow keys repeatedly until the display shows 'SPEE'. Press *[OK]*. Now you can set the programme speed for the preprogrammed automatic shows. Use the arrow keys to select a value between 1 and 255 (the display shows 'T001' ... 'T255').

This setting is only relevant if the device is not controlled via DMX. When the display shows the desired value, press *[OK]* to confirm the selection and then *[M]* to return to the superordinate menu. To return to the superordinate menu without changes, press *[M]*.

Microphone sensitivity

Press *[M]*. Press one of the arrow keys repeatedly until the display shows 'SET'. Press *[OK]*. Press one of the arrow keys repeatedly until the display shows 'MIC'. Press *[OK]*. Now you can adjust the sensitivity of the built-in microphone for the sound control. Use the arrow keys to select 'OFF' (microphone off) or a value between 1 and 30 (the display shows 'M-01' ... 'M-30').

This setting is only relevant if the device is not controlled via DMX. When the display shows the desired value, press *[OK]* to confirm the selection and then *[M]* to return to the superordinate menu. To return to the superordinate menu without changes, press *[M]*.

Manual test

Press *[M]*. Press one of the arrow keys repeatedly until the display shows 'TEST'. Press *[OK]*. Press one of the arrow keys repeatedly until the display shows 'RED', 'GREE', 'BLUE', 'WHIT' or 'STRO'. Press *[OK]*. Now you can adjust the brightness of the red, green, blue or amber-coloured (RGBA) and white (RGBW) LEDs respectively in a range from 0 to 255, or select the flash rate in a range from 0 to 24.

This operating mode can also be used to create constant or flashing light mixed from the four LED colours without DMX controller.

When the display shows the desired value, press *[OK]* to confirm the selection and then *[M]* to return to the superordinate menu. To return to the superordinate menu without changes, press *[M]*.

Fade speed

Press *[M]*. Press one of the arrow keys repeatedly until the display shows 'FADE'. Press *[OK]*. Now you can set the fade speed of the preprogrammed automatic shows. Use the arrow keys to select a value between 1 and 7 (the display shows 'F-01' ... 'F-07').

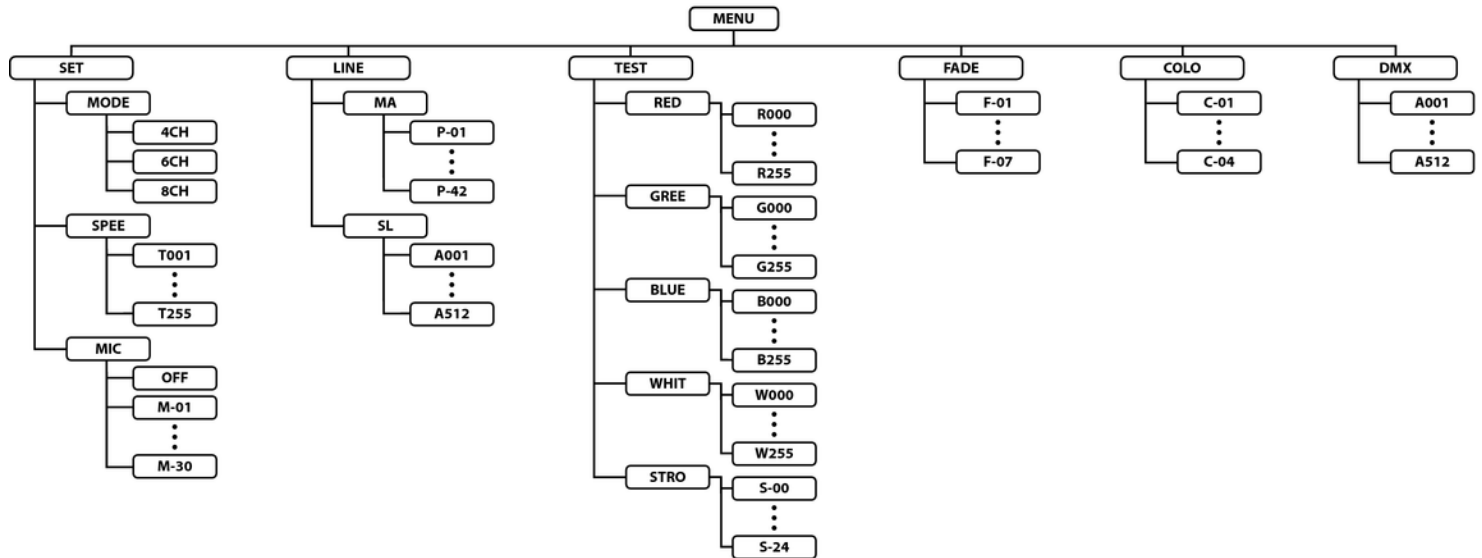
This setting is only relevant if the device is not controlled via DMX. When the display shows the desired value, press *[OK]* to confirm the selection and then *[M]* to return to the superordinate menu. To return to the superordinate menu without changes, press *[M]*.

Colour selection

Press *[M]*. Press one of the arrow keys repeatedly until the display shows 'COLO'. Press *[OK]*. Now you can set a base colour for the preprogrammed automatic shows. Use the arrow keys to select a value between 1 and 4 (the display shows 'C-01' ... 'C-04').

This setting is only relevant if the device is not controlled via DMX. When the display shows the desired value, press *[OK]* to confirm the selection and then *[M]* to return to the superordinate menu. To return to the superordinate menu without changes, press *[M]*.

7.3 Menu overview



7.4 Functions in 4-channel DMX mode

| Channel | Value | Function |
|---------|---------|---|
| 1 | 0...255 | Intensity red (0 % to 100 %) |
| 2 | 0...255 | Intensity green (0 % to 100 %) |
| 3 | 0...255 | Intensity blue (0 % to 100 %) |
| 4 | 0...255 | RGBA: intensity amber-coloured (0 % to 100 %) RGBW: intensity white (0 % to 100 %) |

7.5 Functions in 6-channel DMX mode

| Channel | Value | Function |
|---------|--------|---|
| 1 | | Operating mode selection |
| | 0...63 | Constant colour, colouring is determined by channels 2 to 5 |

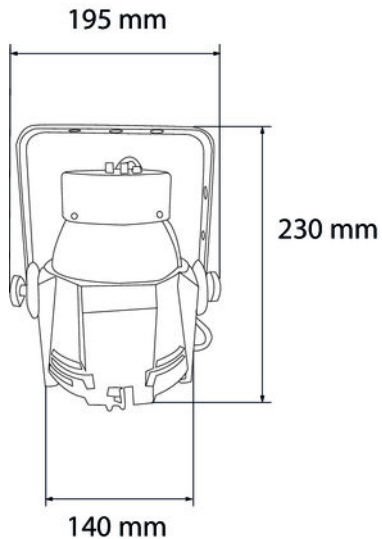
| Channel | Value | Function |
|---------|---------------|---|
| | 64...127 | Automatic colour change with 7 colours, channels 2 to 5 have no function |
| | 128...191 | Automatic colour change with 12 colours, channels 2 to 5 have no function |
| | 192...255 | Automatic colour change with 4 colours, channels 2 to 5 have no function |
| 2 | 0...255 | Intensity red (0 % to 100 %), if channel 1 = 0...63 |
| 3 | 0...255 | Intensity green (0 % to 100 %), if channel 1 = 0...63 |
| 4 | 0...255 | Intensity blue (0 % to 100 %), if channel 1 = 0...63 |
| 5 | 0...255 | RGBA: intensity amber-coloured (0 % to 100 %), if channel 1 = 0...63 RGBW: intensity white (0 % to 100 %), if channel 1 = 0...63 |
| 6 | Effects speed | |
| | 0...10 | No automatic colour change |
| | 11...100 | Automatic colour change as set by channel 1, decreasing speed from fast to slow |
| | 101...150 | No automatic colour change |
| | 151...255 | Automatic colour change as set by channel 1, speed randomly changing |

7.6 Functions in 8-channel DMX mode

| Channel | Value | Function |
|---------|----------------------|---|
| 1 | 0...255 | Intensity red (0 % to 100 %), if channel 5 = 0...15 and channel 7 = 0...31 |
| 2 | 0...255 | Intensity green (0 % to 100 %), if channel 5 = 0...15 and channel 7 = 0...31 |
| 3 | 0...255 | Intensity blue (0 % to 100 %), if channel 5 = 0...15 and channel 7 = 0...31 |
| 4 | 0...255 | RGBA: intensity amber-coloured (0 % to 100 %), if channel 5 = 0...15 and channel 7 = 0...31 RGBW: intensity white (0 % to 100 %), if channel 5 = 0...15 and channel 7 = 0...31 |
| 5 | Fixed colour pattern | |
| | 0...15 | No fixed colour and movement pattern |
| | 16...255 | One of 41 preprogrammed automatic shows (macros), channels 6 and 7 without function |
| 6 | Strobe effect | |
| | 0...15 | Full brightness, no strobe effect |
| | 16...255 | Strobe effect, increasing speed if channel 5 = 0...15 |

| Channel | Value | Function |
|---------|--------------------------|---|
| 7 | Operating mode selection | |
| | 0...31 | Constant colour, colouring is determined by channels 1 to 4 |
| | 32...63 | Fade-out effect, speed controlled by channel 6, channels 1 to 5 without function |
| | 64...95 | Fade-in effect, speed controlled by channel 6, channels 1 to 5 without function |
| | 96...127 | Fade-in-out effect, speed controlled by channel 6, channels 1 to 5 without function |
| | 128...159 | Auto-mix effect, speed controlled by channel 6, channels 1 to 5 without function |
| | 160...191 | Chase (4 colours), speed controlled by channel 6, channels 1 to 5 without function |
| | 192...223 | Chase (12 colours), speed controlled by channel 6, channels 1 to 5 without function |
| | 224...255 | Sound control |
| 8 | 0...255 | Dimmer (0 % to 100 %) |

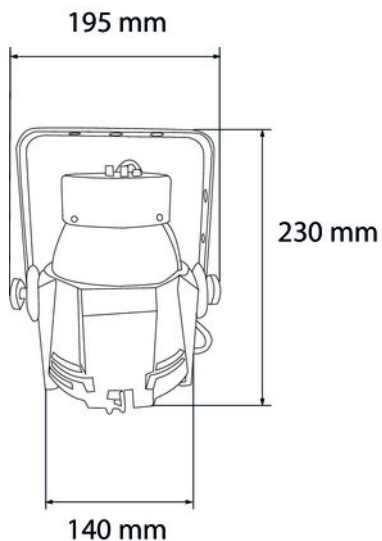
8 Technical data



Mini Stage Par 4x8W QCL RGBA 40° (ref. 278662)

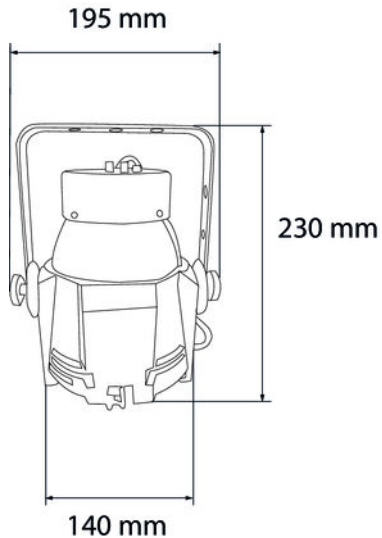
| | |
|------------------------|--|
| Lamp | 4 × Quad-Color-LEDs, 8 W (red, green, blue, amber) |
| Beam angle | 40° |
| Number of DMX channels | 4, 6 or 8 channels, depending on operating mode |
| Mains power supply | 110 ... 230 V ~ (AC), 50 ... 60 Hz |
| Power consumption | 30 W |
| Dimensions | 195 mm x 230 mm x 140 mm |
| Weight | 1,9 kg |

Mini Stage Par 4x8W QCL RGBA/RGBW 25°/40°



Mini Stage Par 4x8W QCL RGBW 40° (ref. 278617)

| | |
|------------------------|--|
| Lamp | 4 × Quad-Color-LEDs, 8 W (red, green, blue, white) |
| Beam angle | 40° |
| Number of DMX channels | 4, 6 or 8 channels, depending on operating mode |
| Mains power supply | 110 ... 230 V ~ (AC), 50 ... 60 Hz |
| Power consumption | 36 W |
| Dimensions | 195 mm x 230 mm x 140 mm |
| Weight | 1,9 kg |



Mini Stage Par 4x8W QCL RGBW 25° (ref. 303022)

| | |
|------------------------|--|
| Lamp | 4 × Quad-Color-LEDs, 8 W (red, green, blue, white) |
| Beam angle | 25 ° |
| Number of DMX channels | 4, 6 or 8 channels, depending on operating mode |
| Mains power supply | 110 ... 230 V ~ (AC), 50 ... 60 Hz |
| Power consumption | 36 W |
| Dimensions | 195 mm x 230 mm x 140 mm |
| Weight | 1,9 kg |

Mini Stage Par 4x8W QCL RGBA/RGBW 25°/40°

9 Plug and connection assignments

Introduction

This chapter will help you select the right cables and plugs to connect your valuable equipment so that a perfect light experience is guaranteed.

Please take our tips, because especially in 'Sound & Light' caution is indicated: Even if a plug fits into a socket, the result of an incorrect connection may be a destroyed DMX controller, a short circuit or 'just' a not working light show!

DMX connections

The unit offers a 3-pin XLR socket for DMX output and a 3-pin XLR plug for DMX input. Please refer to the drawing and table below for the pin assignment of a suitable XLR plug.



| Pin | Configuration |
|-----|---------------------------------------|
| 1 | Ground, shielding |
| 2 | Signal inverted (DMX-, 'cold signal') |
| 3 | Signal (DMX+, 'hot signal') |

10 Troubleshooting



NOTICE!

Possible data transmission errors

For error-free operation make use of dedicated DMX cables and do not use ordinary microphone cables.

Never connect the DMX input or output to audio devices such as mixers or amplifiers.

In the following we list a few common problems that may occur during operation. We give you some suggestions for easy troubleshooting:

| Symptom | Remedy |
|------------------------------------|---|
| The unit does not work, no light. | Check the mains connection and the fuse. |
| No response to the DMX controller. | 1. Check the DMX ports and cables for proper connection. |
| | 2. Check the address settings and the DMX polarity. |
| | 3. Try using another DMX controller. |
| | 4. Check to see if the DMX cables run near or alongside to high voltage cables that may cause damage or interference to DMX interface circuits. |

If the procedures recommended above do not succeed, please contact our Service Center. You can find the contact information at www.thomann.de.

11 Cleaning

Optical lenses

Clean the optical lenses, that are accessible from the outside, regularly in order to optimize the light output. The frequency of cleaning depends on the operating environment: wet, smoky or particularly dirty surroundings can cause more accumulation of dirt on the optics of the device.

- Clean with a soft cloth using our lamp and lens cleaner (item no. 280122).
- Always dry the parts carefully.

Fan grids

The fan grids of the device must be cleaned on a regular basis to remove dust and dirt. Before cleaning, switch off the device and disconnect AC-powered devices from the mains. Use a lint-free damp cloth for cleaning. Never use solvents or alcohol for cleaning.

12 Protecting the environment

Disposal of the packaging material



For the transport and protective packaging, environmentally friendly materials have been chosen that can be supplied to normal recycling.

Ensure that plastic bags, packaging, etc. are properly disposed of.

Do not just dispose of these materials with your normal household waste, but make sure that they are collected for recycling. Please follow the notes and markings on the packaging.

Disposal of your old device



This product is subject to the European Waste Electrical and Electronic Equipment Directive (WEEE). Do not dispose with your normal household waste.

Dispose of this device through an approved waste disposal firm or through your local waste facility. When discarding the device, comply with the rules and regulations that apply in your country. If in doubt, consult your local waste disposal facility.

Mini Stage Par 4x8W QCL RGBA/RGBW 25°/40°



Musikhaus Thomann · Hans-Thomann-Straße 1 · 96138 Burgebrach · Germany · www.thomann.de