

# DM 44

## DMX manager

Musikhaus Thomann  
Thomann GmbH  
Hans-Thomann-Straße 1  
96138 Burgebrach  
Germany  
Telephone: +49 (0) 9546 9223-0  
E-mail: [info@thomann.de](mailto:info@thomann.de)  
Internet: [www.thomann.de](http://www.thomann.de)

01.02.2016, ID: 365433

# Table of contents

<b>1</b>	<b>General notes</b> .....	<b>5</b>
	1.1 Further information.....	6
	1.2 Notational conventions.....	7
	1.3 Symbols and signal words.....	8
<b>2</b>	<b>Safety instructions</b> .....	<b>10</b>
<b>3</b>	<b>Features</b> .....	<b>15</b>
<b>4</b>	<b>Installation</b> .....	<b>16</b>
<b>5</b>	<b>Starting up</b> .....	<b>17</b>
<b>6</b>	<b>Connections and controls</b> .....	<b>19</b>
<b>7</b>	<b>Operating</b> .....	<b>23</b>
	7.1 Setting parameters.....	24
	7.2 Menu overview.....	29
<b>8</b>	<b>Technical specifications</b> .....	<b>32</b>
<b>9</b>	<b>Plug and connection assignments</b> .....	<b>33</b>

**10 Protecting the environment..... 34**

# 1 General notes

This manual contains important instructions for the safe operation of the unit. Read and follow the safety instructions and all other instructions. Keep the manual for future reference. Make sure that it is available to all those using the device. If you sell the unit please make sure that the buyer also receives this manual.

Our products are subject to a process of continuous development. Thus, they are subject to change.

## 1.1 Further information

On our website ([www.thomann.de](http://www.thomann.de)) you will find lots of further information and details on the following points:

Download	This manual is also available as PDF file for you to download.
Keyword search	Use the search function in the electronic version to find the topics of interest for you quickly.
Online guides	Our online guides provide detailed information on technical basics and terms.
Personal consultation	For personal consultation please contact our technical hotline.
Service	If you have any problems with the device the customer service will gladly assist you.

## 1.2 Notational conventions

This manual uses the following notational conventions:

### Letterings

The letterings for connectors and controls are marked by square brackets and italics.

**Examples:** *[VOLUME]* control, *[Mono]* button.


### Displays

Texts and values displayed on the device are marked by quotation marks and italics.

**Examples:** *'24ch'*, *'OFF'*.


### Cross-references

References to other locations in this manual are identified by an arrow and the specified page number. In the electronic version of the manual, you can click the cross-reference to jump to the specified location.


Example: See  *'Cross-references'* on page 7.

### 1.3 Symbols and signal words

In this section you will find an overview of the meaning of symbols and signal words that are used in this manual.

Signal word	Meaning
<b>DANGER!</b>	This combination of symbol and signal word indicates an immediate dangerous situation that will result in death or serious injury if it is not avoided.
<b>NOTICE!</b>	This combination of symbol and signal word indicates a possible dangerous situation that can result in material and environmental damage if it is not avoided.
Warning signs	Type of danger
	Warning – high-voltage.



Warning signs	Type of danger
	Warning – danger zone.

## 2 Safety instructions

### **Intended use**

This device is intended for merging multiple DMX signals, for distributing one DMX signal to multiple DMX chains and for the extension of a DMX chain. Use the device only as described in this user manual. Any other use or use under other operating conditions is considered to be improper and may result in personal injury or property damage. No liability will be assumed for damages resulting from improper use.

This device may be used only by persons with sufficient physical, sensorial, and intellectual abilities and having corresponding knowledge and experience. Other persons may use this device only if they are supervised or instructed by a person who is responsible for their safety.

**Safety****DANGER!****Danger for children**

Ensure that plastic bags, packaging, etc. are disposed of properly and are not within reach of babies and young children. Choking hazard!

Ensure that children do not detach any small parts (e.g. knobs or the like) from the unit. They could swallow the pieces and choke!

Never let children unattended use electrical devices.

**DANGER!****Electric shock caused by high voltages inside**

Within the device there are areas where high voltages may be present. Never remove any covers.

There are no user-serviceable parts inside.

Do not use the device if covers, protectors or optical components are missing or damaged.



### **DANGER!**

#### **Electric shock caused by short-circuit**

Always use proper ready-made insulated mains cabling (power cord) with a protective contact plug. Do not modify the mains cable or the plug. Failure to do so could result in electric shock/death or fire. If in doubt, seek advice from a registered electrician.



### **NOTICE!**

#### **Risk of fire**

Do not cover the device nor any ventilation slots. Do not place the device near any direct heat source. Keep the device away from naked flames.



**NOTICE!**

**Operating conditions**

This device has been designed for indoor use only. To prevent damage, never expose the device to any liquid or moisture. Avoid direct sunlight, heavy dirt, and strong vibrations.



**NOTICE!**

**Power supply**

Before connecting the device, ensure that the input voltage (AC outlet) matches the voltage rating of the device and that the AC outlet is protected by a residual current circuit breaker. Failure to do so could result in damage to the device and possibly injure the user.

Unplug the device before electrical storms occur and when it is unused for long periods of time to reduce the risk of electric shock or fire.



### **NOTICE!**

#### **Possible staining**

The plasticiser contained in the rubber feet of this product may possibly react with the coating of your parquet, linoleum, laminate or PVC floor and after some time cause permanent dark stains.

In case of doubt, do not put the rubber feet directly on the floor, but use felt-pad floor protectors or a carpet.

### 3 Features

Multifunction DMX processor with the following features:

- four opto-electronic isolated DMX inputs
- four opto-electronic isolated DMX outputs
- Splitter function
- Merger function
- Boost function
- Operating modes DMX-in: HTP, LTP, Blackout, Merge
- Operating modes DMX--out: Null, Hold, Blackout
- Time function
- 19" rack-mountable

## 4 Installation

Unpack and carefully check that there is no transportation damage before using the unit. Keep the equipment packaging. To fully protect the device against vibration, dust and moisture during transportation or storage use the original packaging or your own packaging material suitable for transport or storage, respectively.



### **NOTICE!**

#### **Possible data transmission errors**

For error-free operation make use of dedicated DMX cables and do not use ordinary microphone cables.

Never connect the DMX input or output to audio devices such as mixers or amplifiers.

### **Rack mounting**

The unit has been designed for rack mounting in a standard 19" rack; it occupies one rack unit.

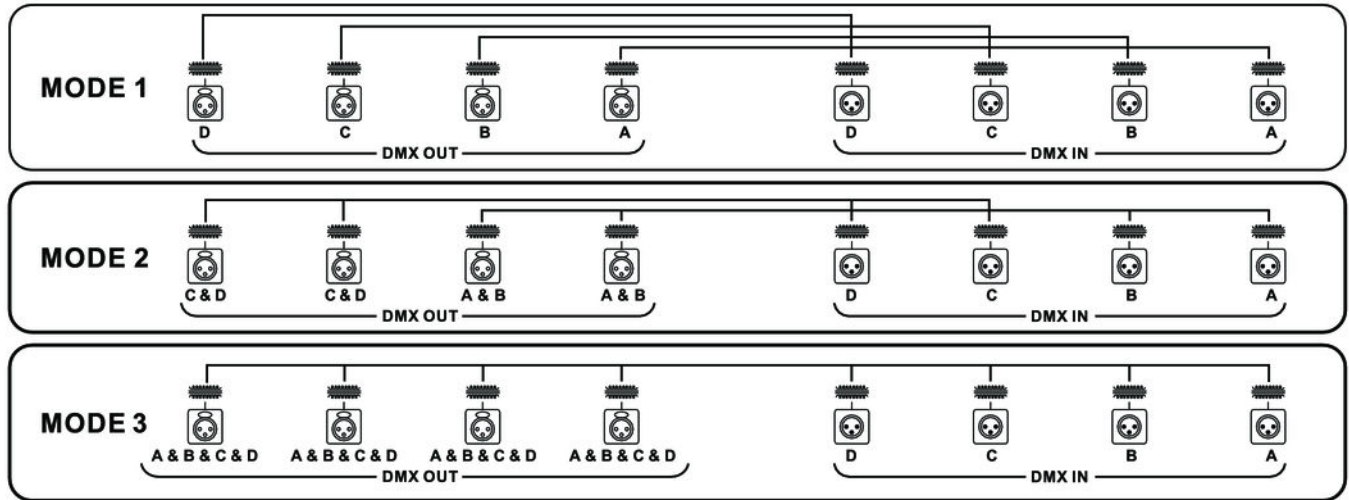


## 5 Starting up

Create all connections while the device is off. Use the shortest possible high-quality cables for all connections. Take care when running the cables to prevent tripping hazards.

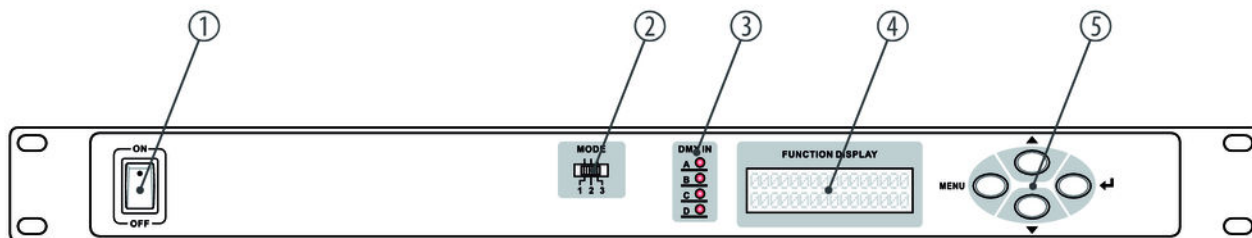
**DMX connections**

The following diagram shows the possible connection configurations (see [Chapter 7 'Operating' on page 23](#)):



## 6 Connections and controls

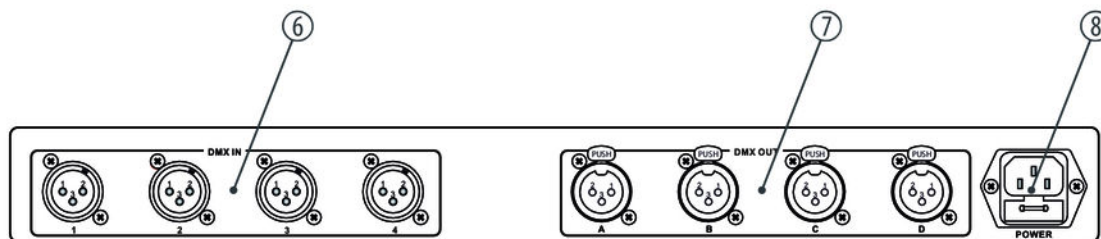
### Front panel



DM 44

1	<i>[ON/OFF]</i> Mains switch. Turns the device on and off.
2	<i>[MODE]</i> Selector switch DMX-MODE 1, MODE 2, MODE 3.
3	<i>[DMX IN]</i> Indicator LEDs for DMX input A, B, C and D. The Indicator LED of a channel lights up red as soon as a signal is present.
4	Display.
5	Function and control buttons <i>[MENU]</i> : opens the main menu. Arrow button ▲: increases the displayed value by one. Arrow button ▼: decreases the displayed value by one. <i>[ENTER]</i> : selects an option of the respective operating mode, confirms the set value.

Rear panel



DM 44

6	<i>[DMX IN]</i> 4 × 3-pin DMX input.
7	<i>[DMX OUT]</i> 4 × 3-pin DMX output.
8	IEC chassis plug for the mains cable with fuse holder.

## 7 Operating

### Main menu

Press *[MENU]* to open the main menu.

Press repeatedly *[MENU]* or ▲ or ▼ to select the desired menu item. Press *[ENTER]* to open the selected menu.

Change the currently displayed value with ▲ or ▼ and confirm any new values again with *[ENTER]*. To return to the main menu without making changes, press *[MENU]*.

All settings are retained when the power fails or if the device is disconnected from the power supply.

## 7.1 Setting parameters

### Menu item DMX MODE

In this menu you determine the settings for the active DMX mode (menu items see ↪ *Chapter 7.2 'Menu overview' on page 29*).

Press *[MENU]* to open the main menu.

Press repeatedly *[MENU]* or ▲ or ▼ until the display shows 'DMX MODE'. Press *[ENTER]* to open the subordinate menu.

Use ▲ or ▼ to select the desired subitem and confirm with *[ENTER]*. To return to the main menu without making changes, press *[MENU]*.

Parameter	Description
'HTP'	HTP mode, the highest DMX value has priority.
'LTP'	LTP mode, the latest DMX value has priority.
'BACKUP'	When there is no signal present at an input, the signal of another input is applied to this input.



Parameter	Description
'MERGE'	'M 2' In MODE 2, two inputs are routed to a common output.
	'M 3' In MODE 3, four inputs are routed to a common output.
'ADDR'	Start address for input DMX-B in MERGE mode.

### Menu item DMX TIME

In this menu you determine the DMX time.

Press *[MENU]* to open the main menu.

Press repeatedly *[MENU]* or ▲ or ▼ until the display shows 'DMX TIME'. Press *[ENTER]* to open the subordinate menu.

Set the DMX time with ▲ or ▼ in a range from 25 ms ... 50 ms and confirm with *[ENTER]*. To return to the main menu without making changes, press *[MENU]*.

### Menu item NO DMX IN

In this menu you determine how the device behaves when no DMX input signal is present.

Press *[MENU]* to open the main menu.

Press repeatedly *[MENU]* or ▲ or ▼ until the display shows 'NO DMX IN'. Press *[ENTER]* to open the subordinate menu.

Use ▲ or ▼ to select the desired mode and confirm with *[ENTER]*. To return to the main menu without making changes, press *[MENU]*.

Parameter	Description
'NULL'	No DMX output as long as no DMX input signal is present.
'HOLD'	DMX output signal is being upheld even if a DMX input signal is no longer present.
'BLACKOUT'	All DMX outputs to '0' when no DMX input signal is present.

### Menu item BACKLIGHT

In this menu you specify whether the backlight of the display remains on during operation or is being switched off automatically.

Press *[MENU]* to open the main menu.

Press repeatedly *[MENU]* or ▲ or ▼ until the display shows 'BACKLIGHT'. Press *[ENTER]* to open the subordinate menu.

Use ▲ or ▼ to select one of the options 'ON' (backlight constantly on during operation) or 'AUTO' (backlight is automatically being switched off eight seconds after the last keystroke and turned back on again on the next keystroke) and confirm with *[ENTER]*. To return to the main menu without making changes, press *[MENU]*.

### Menu item DMX TEST

Use this menu to check the channel assignment.

Press *[MENU]* to open the main menu.

Press repeatedly *[MENU]* or ▲ or ▼ until the display shows 'DMX TEST'. Press *[ENTER]* to open the subordinate menu.

Use ▲ and ▼ to switch between 'INPUT' (selection and test of the input channels A, B, C and D) and 'OUTPUT' (selection and test of the output channels 001 ... 512). Confirm with *[ENTER]*. To return to the main menu, press *[MENU]*.

### **Menu item VERSION**

This menu offers the option to display you the device version.

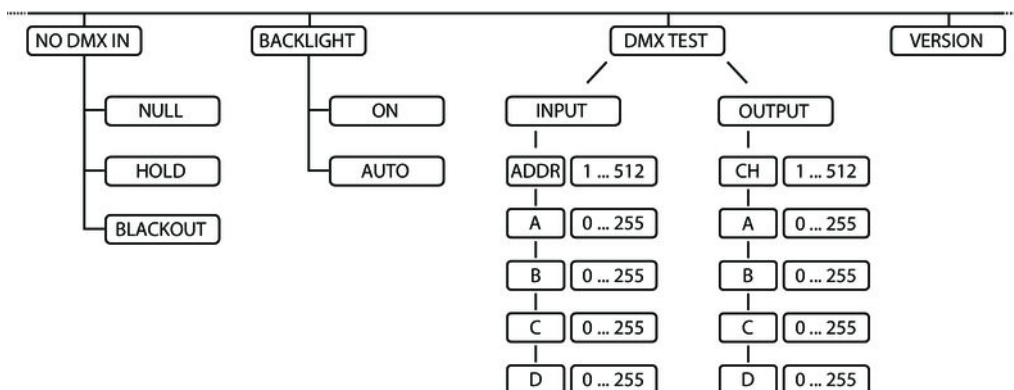
Press *[MENU]* to open the main menu.

Press repeatedly *[MENU]* or ▲ or ▼ until the display shows 'VERSION'. Press *[ENTER]* to display the device version.

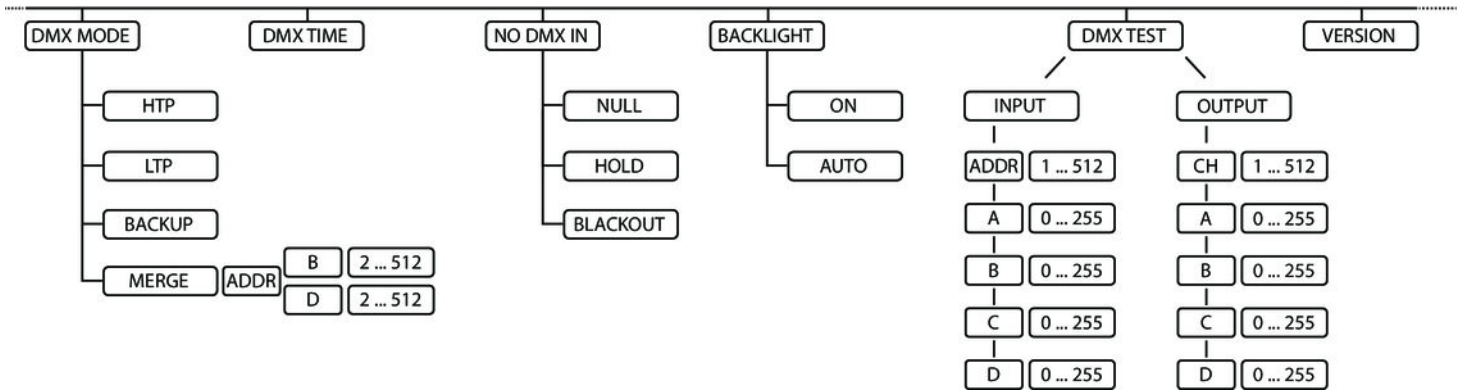
To return to the main menu, press *[MENU]*.

## 7.2 Menu overview

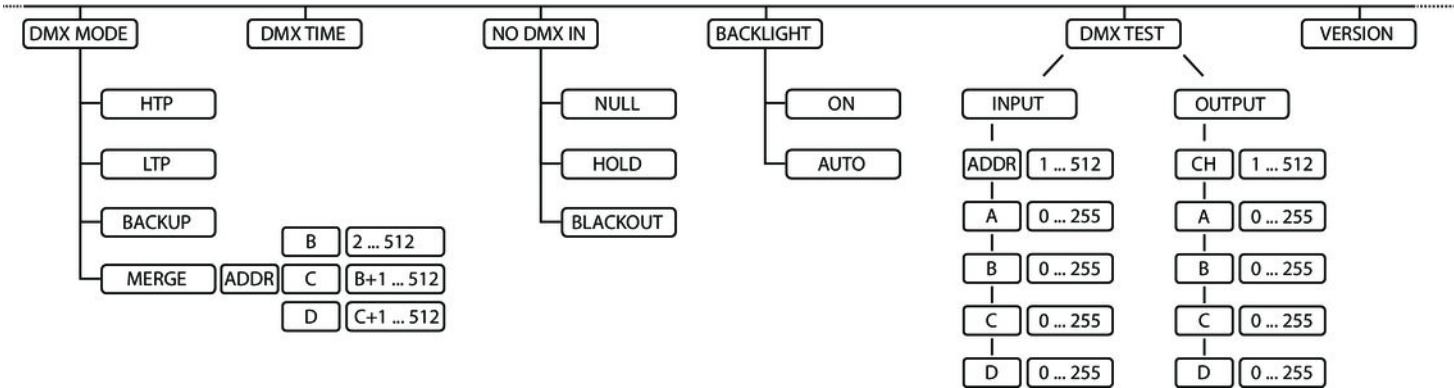
### Connection config. MODE 1



### Connection config. MODE 2



Connection config. MODE 3



## 8 Technical specifications

Operating supply voltage	AC 230 V ~ , 50 Hz
Fuse	5 mm × 20 mm, 1 A, 250 V, slow-blow
Dimensions (W × D × H)	482 mm × 145 mm × 44 mm (15.35in. × 5.31in. × 1.55in.)
Weight	3.1 kg



# 9 Plug and connection assignments

## Introduction

This chapter will help you select the right cables and plugs to connect your valuable equipment so that a perfect light experience is guaranteed.

Please take our tips, because especially in 'Sound & Light' caution is indicated: Even if a plug fits into a socket, the result of an incorrect connection may be a destroyed DMX controller, a short circuit or 'just' a not working light show!

## DMX connections



The unit offers a 3-pin XLR socket for DMX output and a 3-pin XLR plug for DMX input. Please refer to the drawing and table below for the pin assignment of a suitable XLR plug.

Pin	Configuration
1	Ground, shielding
2	Signal inverted (DMX-, 'cold signal')
3	Signal (DMX+, 'hot signal')

## 10 Protecting the environment

### Disposal of the packaging material



For the transport and protective packaging, environmentally friendly materials have been chosen that can be supplied to normal recycling.

Ensure that plastic bags, packaging, etc. are properly disposed of.

Do not just dispose of these materials with your normal household waste, but make sure that they are collected for recycling. Please follow the notes and markings on the packaging.

### Disposal of your old device



This product is subject to the European Waste Electrical and Electronic Equipment Directive (WEEE). Do not dispose with your normal household waste.

Dispose of this device through an approved waste disposal firm or through your local waste facility. When discarding the device, comply with the rules and regulations that apply in your country. If in doubt, consult your local waste disposal facility.



