



fungeneration

LED Pot Strobe 100
strobe

Musikhaus Thomann
Thomann GmbH
Hans-Thomann-Straße 1
96138 Burgebrach
Germany
Telephone: +49 (0) 9546 9223-0
E-mail: info@thomann.de
Internet: www.thomann.de

13.03.2017, ID: 383840

Table of contents

1	General notes	5
	1.1 Further information.....	6
	1.2 Notational conventions.....	7
	1.3 Symbols and signal words.....	8
2	Safety instructions	11
3	Features	16
4	Installation	17
5	Connections and controls	21
6	Operating	28
	6.1 Operating mode 'Preprogrammed automatic show'.....	28
	6.2 Operating mode 'DMX'.....	29
	6.3 Operating mode 'Slave'.....	31
	6.4 Operating mode 'Dimmer'.....	31
	6.5 Operating mode 'Sound'.....	32
	6.6 Reset to factory defaults.....	33

6.7	'Info' menu.....	34
7	Technical specifications.....	35
8	Plug and connection assignments.....	36
9	Troubleshooting.....	37
10	Cleaning.....	39
11	Protecting the environment.....	40

1 General notes

This manual contains important instructions for the safe operation of the unit. Read and follow the safety instructions and all other instructions. Keep the manual for future reference. Make sure that it is available to all those using the device. If you sell the unit please make sure that the buyer also receives this manual.

Our products are subject to a process of continuous development. Thus, they are subject to change.

1.1 Further information

On our website (www.thomann.de) you will find lots of further information and details on the following points:

Download	This manual is also available as PDF file for you to download.
Keyword search	Use the search function in the electronic version to find the topics of interest for you quickly.
Online guides	Our online guides provide detailed information on technical basics and terms.
Personal consultation	For personal consultation please contact our technical hotline.
Service	If you have any problems with the device the customer service will gladly assist you.

1.2 Notational conventions

This manual uses the following notational conventions:

Letterings

The letterings for connectors and controls are marked by square brackets and italics.

Examples: *[VOLUME]* control, *[Mono]* button.

Displays

Texts and values displayed on the device are marked by quotation marks and italics.

Examples: *'24ch'*, *'OFF'*.

Instructions



The individual steps of an instruction are numbered consecutively. The result of a step is indented and highlighted by an arrow.


Example:

1. ▶ Switch on the device.
2. ▶ Press *[Auto]*.
 - ⇒ Automatic operation is started.
3. ▶ Switch off the device.

1.3 Symbols and signal words

In this section you will find an overview of the meaning of symbols and signal words that are used in this manual.

Signal word	Meaning
DANGER!	This combination of symbol and signal word indicates an immediate dangerous situation that will result in death or serious injury if it is not avoided.
WARNING!	This combination of symbol and signal word indicates a possible dangerous situation that can result in death or serious injury if it is not avoided.
NOTICE!	This combination of symbol and signal word indicates a possible dangerous situation that can result in material and environmental damage if it is not avoided.
Warning signs	Type of danger
	Warning – high-voltage.
	Warning – suspended load.

Warning signs	Type of danger
	Warning – danger zone.

2 Safety instructions

Intended use

This device is intended to be used as an electronic illumination effect using LED technics. The device is designed for professional use and is not suitable for use in households. Use the device only as described in this user manual. Any other use or use under other operating conditions is considered to be improper and may result in personal injury or property damage. No liability will be assumed for damages resulting from improper use.

This device may be used only by persons with sufficient physical, sensorial, and intellectual abilities and having corresponding knowledge and experience. Other persons may use this device only if they are supervised or instructed by a person who is responsible for their safety.

Safety



DANGER!

Danger for children

Ensure that plastic bags, packaging, etc. are disposed of properly and are not within reach of babies and young children. Choking hazard!

Ensure that children do not detach any small parts (e.g. knobs or the like) from the unit. They could swallow the pieces and choke!

Never let children unattended use electrical devices.



DANGER!

Electric shock caused by high voltages inside

Within the device there are areas where high voltages may be present. Never remove any covers.

There are no user-serviceable parts inside.

Do not use the device if covers, protectors or optical components are missing or damaged.



DANGER!

Electric shock caused by short-circuit

Do not modify the mains cable or the plug. Failure to do so could result in electric shock/death or fire. If in doubt, seek advice from a registered electrician.



WARNING!

Eye damage caused by high light intensity

Never look directly into the light source.



WARNING!

Risk of epileptic shock

Strobe lighting can trigger seizures in photosensitive epilepsy. Sensitive persons should avoid looking at strobe lights.



NOTICE!

Risk of fire

Do not cover the device nor any ventilation slots. Do not place the device near any direct heat source. Keep the device away from naked flames.



NOTICE!

Operating conditions

This device has been designed for indoor use only. To prevent damage, never expose the device to any liquid or moisture. Avoid direct sunlight, heavy dirt, and strong vibrations.



NOTICE!

Power supply

Before connecting the device, ensure that the input voltage (AC outlet) matches the voltage rating of the device and that the AC outlet is protected by a residual current circuit breaker. Failure to do so could result in damage to the device and possibly injure the user.

Unplug the device before electrical storms occur and when it is unused for long periods of time to reduce the risk of electric shock or fire.

3 Features

Compact LED stroboscope suitable for various lighting tasks, for example at events, on rock stages or in theatres and musicals. The device is characterised by very high power and a very lightweight and rugged housing.

- 126 × SMD-LED (white)
- Control via DMX (one or three channels), buttons and display on the unit or an optionally available IR remote control
- Sound control
- Automatic mode
- Master / Slave mode

4 Installation

Unpack and carefully check that there is no transportation damage before using the unit. Keep the equipment packaging. To fully protect the device against vibration, dust and moisture during transportation or storage use the original packaging or your own packaging material suitable for transport or storage, respectively.



WARNING!

Risk of injury caused by falling objects

Make sure that the installation complies with the standards and rules that apply in your country. Always secure the device with a secondary safety attachment, such as a safety cable or a safety chain.



NOTICE!

Risk of overheating

Always ensure sufficient ventilation.

The ambient temperature must always be below 40 °C (104 °F).



NOTICE!

Use of stands

When mounting the device onto a stand, ensure that the stand is in a safe and stable position and that the weight of the device does not exceed the maximum permissible load capacity of the stand.

**NOTICE!****Possible data transmission errors**

For error-free operation make use of dedicated DMX cables and do not use ordinary microphone cables.

Never connect the DMX input or output to audio devices such as mixers or amplifiers.

Mounting options

You can install the unit in hanging or standing position. When in use, the device must always be attached to a solid surface or an approved truss. Use the openings provided on the two-piece bracket for attaching.

Always work from a stable platform whenever installing, moving or servicing the unit. In doing so, the area underneath the unit must be cordoned off.

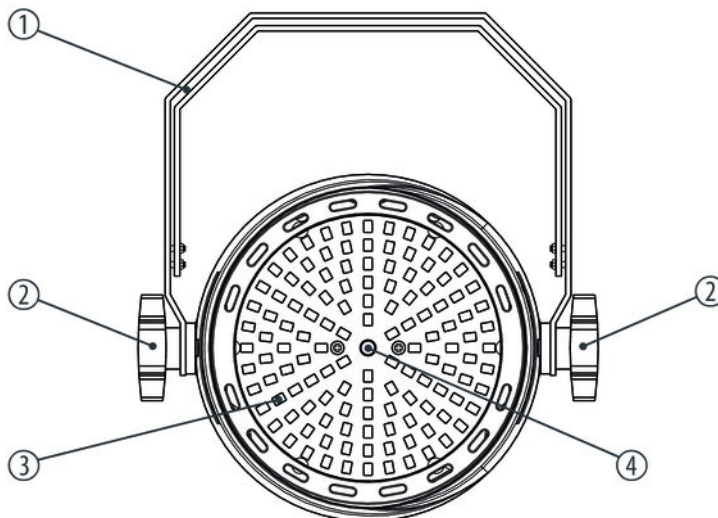
Additionally secure the device by a safety-rope against falling.



Please note that this device must not be connected to a dimmer.

5 Connections and controls

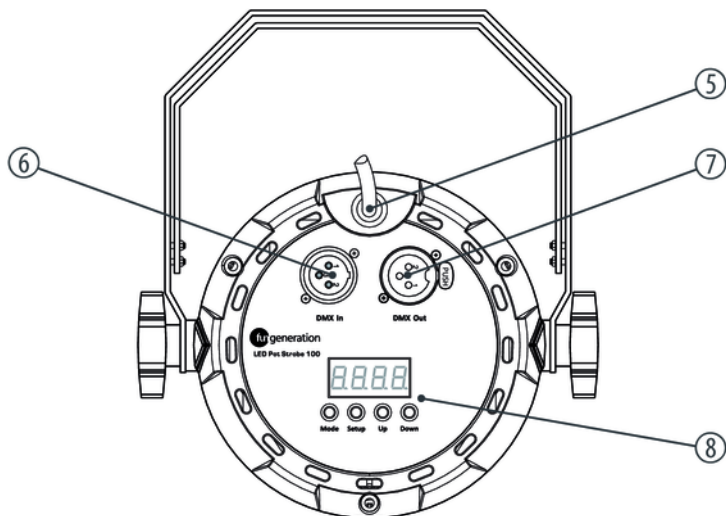
Front panel



LED Pot Strobe 100

1	Two-piece bracket for hanging or installation and for securing the safety-rope.
2	Locking screws.
3	LEDs.
4	Infrared sensor for optionally available remote control.

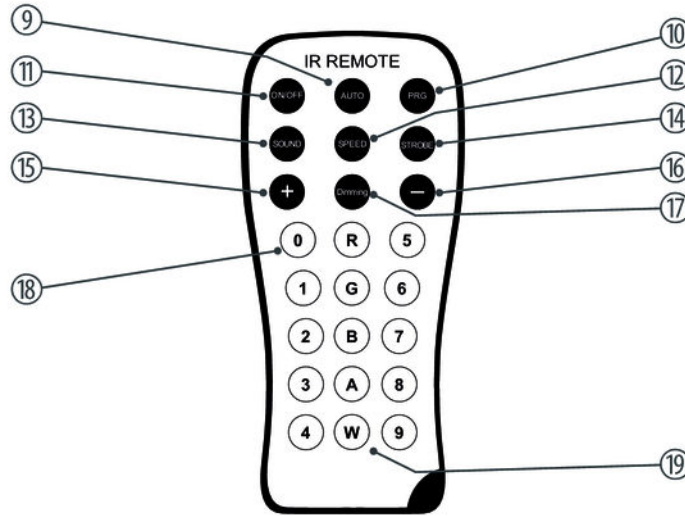
Rear panel



LED Pot Strobe 100

5	Power supply cable.
6	<i>[DMX IN]</i> DMX input.
7	<i>[DMX OUT]</i> DMX output.
8	Display and control buttons: <i>[Mode]</i> Activates the main menu and toggles between menu items. Closes an opened submenu. <i>[Setup]</i> Selects an option of the respective operating mode, confirms the set value. <i>[Up]</i> Increases the displayed value by one. <i>[Down]</i> Decreases the displayed value by one.

Remote control (optional)



9	<i>[AUTO]</i> Activates the 'Automatic' mode.
10	<i>[PRG]</i> Activates the operating mode 'Preprogrammed automatic show'. Select the desired programme with the buttons <i>[+]</i> and <i>[-]</i> .
11	<i>[ON/OFF]</i> Activates / deactivates the device.
12	<i>[SPEED]</i> Activates the setting mode for the programme speed. Adjust the speed using the buttons <i>[+]</i> and <i>[-]</i> .
13	<i>[SOUND]</i> Activates the sound-controlled mode.
14	<i>[STROBE]</i> Turns the strobe effect on / off.
15	<i>[+]</i> Increases the set value.

16	<i>[-]</i> Decreases the set value.
17	<i>[Dimming]</i> Enables the dimmer function.
18	<i>[0 ... 9]</i> Numeric buttons for direct selection of a fixed colour.
19	<i>[R], [G], [B], [A], [W]</i> Buttons to select a colour tone for the dimmer mode.

6 Operating

Connect the device to the power supply to start operation.

Press *[Mode]* to activate the main menu and select an operating mode. Use *[Up]* and *[Down]* to change the respectively indicated value.

6.1 Operating mode 'Preprogrammed automatic show'

A preprogrammed automatic show can only be activated when the unit is operating in stand-alone mode or as master in a master / slave combination. This setting is only relevant if the device is not controlled via DMX.

1. ▶ Press *[Mode]* repeatedly until the display shows 'AUTO'.
⇒ The playback of the preprogrammed shows starts automatically.
2. ▶ Press *[Setup]* repeatedly until the display shows 'SP.xx' and adjust the programme speed with *[Up]* and *[Down]* in a range from 'SP.01' ... 'SP.FL' (slow ... fast).
3. ▶ Press *[Setup]* repeatedly until the display shows 'F5.xx' and adjust the strobe frequency with *[Up]* and *[Down]* in a range from 'F5.00' ... 'F5.99' (slow ... fast).

6.2 Operating mode 'DMX'

This setting is only relevant if the device is controlled via a DMX controller.

1. ▶ Press *[Mode]* repeatedly until the display shows 'd.xxx'.
2. ▶ Use *[Up]* and *[Down]* to assign a DMX address in the range from 'd.001' ... 'd.512' to the device and confirm with *[Setup]*.
3. ▶ Use *[Up]* and *[Down]* to select the desired DMX mode:

Mode	Display	Highest possible DMX address
1-channel	'1-ch'	512
3-channel	'3-ch'	510

4. ▶ Confirm with *[Setup]*.

Functions in 1-channel operation

Channel	Value	Function
1	0 ... 255	Dimmer (0 % ... 100 %)

Functions in 3-channel operation

Channel	Value	Function
1	0 ... 255	Dimmer (0 % ... 100 %)
2	Operating mode	
	0	No function
	1 ... 127	Programme speed (0 % ... 100 %)
	128 ... 255	Sensitivity sound control (0 % ... 100 %)
3	Stroboscope effect	
	0 ... 1	No function
	2 ... 255	Strobe frequency (0 % ... 100 %)

6.3 Operating mode 'Slave'

This setting is only relevant if the device is working as Slave in a Master / Slave configuration and is not controlled via DMX.

1. ▶ Press *[Mode]* repeatedly until the display shows 'SLAv'.
 - ⇒ The device is in Slave mode.
2. ▶ Use *[Mode]* to select any other operating mode to exit Slave mode.

6.4 Operating mode 'Dimmer'

This setting is only relevant if the device is working as Slave in a Master / Slave configuration and is not controlled via DMX.

1. ▶ Press *[Mode]* repeatedly until the display shows 'Colr'.
2. ▶ Use *[Up]* and *[Down]* to adjust the LED brightness in a range from 'u.000' ... 'u.255'.

6.5 Operating mode 'Sound'

This setting is only relevant if the device is working as Slave in a Master / Slave configuration and is not controlled via DMX. In this operating mode, the device responds to acoustic pulses which are recorded by the integrated microphone.

1. ➤ Press *[Mode]* repeatedly until the display shows 'Soud'.
2. ➤ Use *[Up]* and *[Down]* to adjust the sensitivity of the built-in microphone in a range from 'SU.00' ... 'SU.31'.

6.6 Reset to factory defaults

In this menu, you can reset the device to factory default settings.

1. ▶ Press *[Mode]* until the display shows '*-rst*'.
2. ▶ Confirm with *[Setup]*.

Alternatively, you can reset the device to factory defaults during switching on. To do so, switch the device off and keep the buttons *[Mode]* and *[Setup]* pressed for approx. 2 seconds while switching on again.

6.7 'Info' menu

In this menu, you can retrieve the version number and the temperature status of the device.

- 1.** ▶ Press *[Mode]* repeatedly until the display shows *'InFo'*.
- 2.** ▶ Use *[Up]* and *[Down]* to select the option *'Ver'* to display the version number.
- 3.** ▶ Use *[Up]* and *[Down]* to select the option *'Temp'* to display the temperature status.
 - ⇒ If *'t-on'* is displayed, the device temperature is within the permissible range. If *'t-nn'* is displayed, the device must temporarily be switched off for cooling down.

7 Technical specifications

LEDs	126 × SMD-LED, 0.2 W, white light
Beam angle	45 °
Number of DMX channels	1, 3
Power consumption	38 W
Operating supply voltage	AC 100-240 V ~ 50/60 Hz
Protection class	IP20
Permitted ambient temperature	-10 ... 40 °C
Dimensions (W × H × D)	168 mm × 172 mm × 130 mm
Weight	0.8 kg

8 Plug and connection assignments

Introduction

This chapter will help you select the right cables and plugs to connect your valuable equipment so that a perfect light experience is guaranteed.

Please take our tips, because especially in 'Sound & Light' caution is indicated: Even if a plug fits into a socket, the result of an incorrect connection may be a destroyed DMX controller, a short circuit or 'just' a not working light show!

DMX connections



The unit offers a 3-pin XLR socket for DMX output and a 3-pin XLR plug for DMX input. Please refer to the drawing and table below for the pin assignment of a suitable XLR plug.

Pin	Configuration
1	Ground, shielding
2	Signal inverted (DMX-, 'cold signal')
3	Signal (DMX+, 'hot signal')

9 Troubleshooting



NOTICE!

Possible data transmission errors

For error-free operation make use of dedicated DMX cables and do not use ordinary microphone cables.

Never connect the DMX input or output to audio devices such as mixers or amplifiers.

In the following we list a few common problems that may occur during operation. We give you some suggestions for easy troubleshooting:

Symptom	Remedy
The unit does not work, no light	1. Check the mains connection and the main fuse.
	2. Check the settings in manual operation.
No response to the DMX controller	1. Check whether the DMX cables run near or parallel to high-voltage cables that may cause damage or interference to a DMX interface circuit.
	2. Try using another DMX controller.

If the procedures recommended above do not succeed, please contact our Service Center. You can find the contact information at www.thomann.de.

10 Cleaning

Optical lenses

Clean the optical lenses, that are accessible from the outside, regularly in order to optimize the light output. The frequency of cleaning depends on the operating environment: wet, smoky or particularly dirty surroundings can cause more accumulation of dirt on the optics of the device.

- Clean with a soft cloth using our lamp and lens cleaner (item no. 280122).
- Always dry the parts carefully.

Fan grids

The fan grids of the device must be cleaned on a regular basis to remove dust and dirt. Before cleaning, switch off the device and disconnect AC-powered devices from the mains. Use a lint-free damp cloth for cleaning. Never use solvents or alcohol for cleaning.

11 Protecting the environment

Disposal of the packaging material



For the transport and protective packaging, environmentally friendly materials have been chosen that can be supplied to normal recycling.

Ensure that plastic bags, packaging, etc. are properly disposed of.

Do not just dispose these materials with your normal household waste, but make sure that they are fed to a recovery. Please follow the notes and markings on the packaging.

Disposal of batteries



Batteries must not be disposed of as domestic waste or thrown into fire. Dispose of the batteries according to national or local regulations regarding hazardous waste. To protect the environment, dispose of empty batteries at your retail store or at appropriate collection sites.

Disposal of your old device



This product is subject to the European Waste Electrical and Electronic Equipment Directive (WEEE). Do not dispose with your normal household waste.

Dispose this device through an approved waste disposal firm or through your local waste facility. When discarding the device, comply with the rules and regulations that apply in your country. If in doubt, consult your local waste disposal facility.



Musikhaus Thomann · Hans-Thomann-Straße 1 · 96138 Burgebrach · Germany · www.thomann.de