



column PT  
UHF wireless system



Musikhaus Thomann  
Thomann GmbH  
Hans-Thomann-Straße 1  
96138 Burgebrach  
Germany  
Telephone: +49 (0) 9546 9223-0  
E-mail: [info@thomann.de](mailto:info@thomann.de)  
Internet: [www.thomann.de](http://www.thomann.de)

27.11.2018, ID: 400765 (V3)

# Table of contents

<b>1</b>	<b>General information</b> .....	<b>5</b>
	1.1 Further information.....	6
	1.2 Notational conventions.....	7
	1.3 Symbols and signal words.....	8
<b>2</b>	<b>Safety instructions</b> .....	<b>9</b>
<b>3</b>	<b>Features</b> .....	<b>13</b>
<b>4</b>	<b>Installation and starting up</b> .....	<b>14</b>
	4.1 General Information.....	14
	4.2 Bodypack receiver.....	16
	4.3 Bodypack transmitter and receiver.....	17
<b>5</b>	<b>Connections and controls</b> .....	<b>18</b>
	5.1 Bodypack receiver.....	18
	5.2 Bodypack transmitter.....	22
<b>6</b>	<b>Operating</b> .....	<b>26</b>
	6.1 Bodypack receiver.....	26

6.2	Bodypack transmitter.....	39
<b>7</b>	<b>Technical specifications.....</b>	<b>49</b>
7.1	Bodypack receiver.....	49
7.2	Bodypack transmitter.....	50
<b>8</b>	<b>Plug and connection assignment.....</b>	<b>52</b>
<b>9</b>	<b>Troubleshooting.....</b>	<b>54</b>
<b>10</b>	<b>Protecting the environment.....</b>	<b>57</b>

# 1 General information

This manual contains important instructions for the safe operation of the unit. Read and follow the safety instructions and all other instructions. Keep the manual for future reference. Make sure that it is available to all those using the device. If you sell the unit please make sure that the buyer also receives this manual.

Our products are subject to a process of continuous development. Thus, they are subject to change.

## 1.1 Further information

On our website ([www.thomann.de](http://www.thomann.de)) you will find lots of further information and details on the following points:

Download	This manual is also available as PDF file for you to download.
Keyword search	Use the search function in the electronic version to find the topics of interest for you quickly.
Online guides	Our online guides provide detailed information on technical basics and terms.
Personal consultation	For personal consultation please contact our technical hotline.
Service	If you have any problems with the device the customer service will gladly assist you.

## 1.2 Notational conventions

This manual uses the following notational conventions:

### Letterings

The letterings for connectors and controls are marked by square brackets and italics.

**Examples:** *[VOLUME]* control, *[Mono]* button.

### Instructions


The individual steps of an instruction are numbered consecutively. The result of a step is indented and highlighted by an arrow.

**Example:**

1. ▶ Switch on the device.
2. ▶ Press *[Auto]*.
  - ⇒ Automatic operation is started.
3. ▶ Switch off the device.

### 1.3 Symbols and signal words

In this section you will find an overview of the meaning of symbols and signal words that are used in this manual.

Signal word	Meaning
<b>DANGER!</b>	This combination of symbol and signal word indicates an immediate dangerous situation that will result in death or serious injury if it is not avoided.
<b>NOTICE!</b>	This combination of symbol and signal word indicates a possible dangerous situation that can result in material and environmental damage if it is not avoided.
Warning signs	Type of danger
	Warning – danger zone.



## 2 Safety instructions

### Intended use

This unit is used for the wireless transmission of audio signals between microphones or instruments on the one hand and video or photo cameras on the other. Use the device only as described in this user manual. Any other use or use under other operating conditions is considered to be improper and may result in personal injury or property damage. No liability will be assumed for damages resulting from improper use.

This device may be used only by persons with sufficient physical, sensorial, and intellectual abilities and having corresponding knowledge and experience. Other persons may use this device only if they are supervised or instructed by a person who is responsible for their safety.

### Safety



#### **DANGER!**

##### **Danger for children**

Ensure that plastic bags, packaging, etc. are disposed of properly and are not within reach of babies and young children. Choking hazard!

Ensure that children do not detach any small parts (e.g. knobs or the like) from the unit. They could swallow the pieces and choke!

Never let children unattended use electrical devices.



#### **NOTICE!**

##### **Operating conditions**

This device has been designed for indoor use only. To prevent damage, never expose the device to any liquid or moisture. Avoid direct sunlight, heavy dirt, and strong vibrations.



**NOTICE!**

**External power supply**

The device is powered by an external power supply. Before connecting the external power supply, ensure that the input voltage (AC outlet) matches the voltage rating of the device and that the AC outlet is protected by a residual current circuit breaker. Failure to do so could result in damage to the device and possibly the user.

Unplug the external power supply before electrical storms occur and when the device is unused for long periods of time to reduce the risk of electric shock or fire.



**NOTICE!**

**Risk of fire due to incorrect polarity**

Incorrectly inserted batteries may destroy the device or the batteries.

Ensure that proper polarity is observed when inserting batteries.



**NOTICE!**

**Possible damage by leaking batteries**

Leaking batteries can cause permanent damage to the device.

Take batteries out of the device if it is not going to be used for a longer period.

### 3 Features

The UHF wireless camera system is particularly suitable for professional sound transmission to video and photo cameras.

Your UHF wireless camera system column PT is comprised of the following components:

- Bodypack receiver
- Battery powered bodypack transmitter

The Bodypack receiver is characterized by:

- Flexible antenna for optimum reception quality
- Automatic frequency scanning
- Infrared interface for sending the frequency selection from the receiver to the transmitter
- Very high sensitivity at very high signal-to-noise ratio
- Noise barrier (squelch) adjustable in three steps
- Output: 3.5 mm phone socket
- Attaches to the camera with a fixed flash shoe adapter
- Voltage supply: 2 AA cells (LR6, 1.5 V) or corresponding rechargeable batteries

## 4 Installation and starting up

### 4.1 General Information

Unpack and check carefully there is no transportation damage before using the unit. Keep the equipment packaging. To fully protect the product against vibration, dust and moisture during transportation or storage use the original packaging or your own packaging material suitable for transport or storage, respectively.

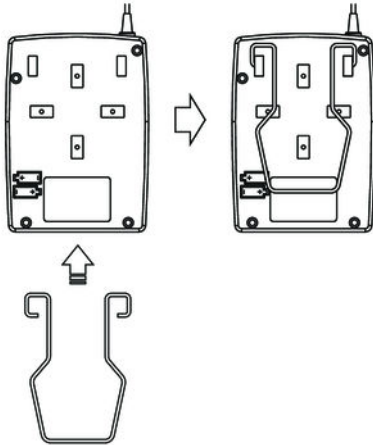
Create all connections while the device is off. Use the shortest possible high-quality cables for all connections. Take care when running the cables to prevent tripping hazards.

**Notes on wireless transmission**

- This device utilizes frequencies that are not harmonized within the European Union (EU) and therefore may only be used in certain EU member states. In all European countries, the frequencies used for the transmission of audio signals are strictly regulated. Before you start, make sure the frequencies are allowed in the respective country and check whether the operation must be reported to the appropriate authority.  
For more information, please visit: <http://www.thomann.de>.
- Make sure that transmitter and receiver are both tuned to the same channel.
- Never set multiple transmitters to the same channel.
- Make sure that there are no metal objects between the transmitter and receiver.
- Avoid interference from other radio or in-ear systems.

## 4.2 Bodypack receiver

### Installing and removing the retaining clamp and the hot shoe adapter



Attach the retaining clamp to the rear of the device as shown in the illustration.

Lift the clamp evenly with two fingers and slide the hot shoe adapter under the clamp. Slide the hot shoe adapter all the way up. Release the retaining clamp. The hot shoe adapter is fixed by the ends of the retaining clamp.





To disassemble, lift the retaining clamp and slide the hot shoe adapter downwards.

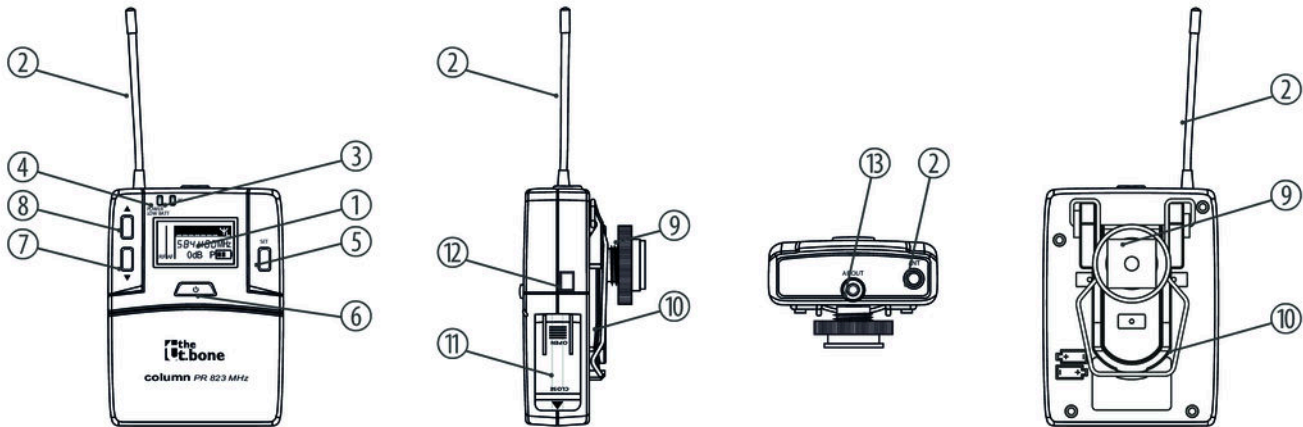
### 4.3 Bodypack transmitter and receiver

#### Inserting batteries

Open up the lateral battery compartment. Insert the batteries. Pay attention to the correct location of the poles. The correct arrangement of the batteries is shown on the back of the unit next to the battery compartment. Close the battery compartment and switch the device on.

## 5 Connections and controls

### 5.1 Bodypack receiver



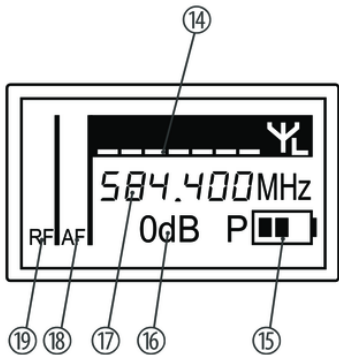
1	Display
2	Flexible antenna
3	<i>[RF]</i> Indicates that a signal is being received.
4	<i>[POWER / LOW BATT]</i> Lights up when the device is turned on. Blinks when the remaining capacity of the batteries gets too low.
5	<i>[SET]</i> Opens the menu and selects a menu item.
6	Main switch. Turns the device on and off.
7,8	▲, ▼ Toggles between the menu items of a menu level, increases or decreases the displayed value by one.
9	Flash shoe adapter for attaching to a camera.
10	Retaining clamp
11	Battery compartment for two AA batteries (LR06), 1.5 V or comparable rechargeable batteries.

12	Infrared sensor
----	-----------------

13	<i>[AF OUT]</i>
----	-----------------

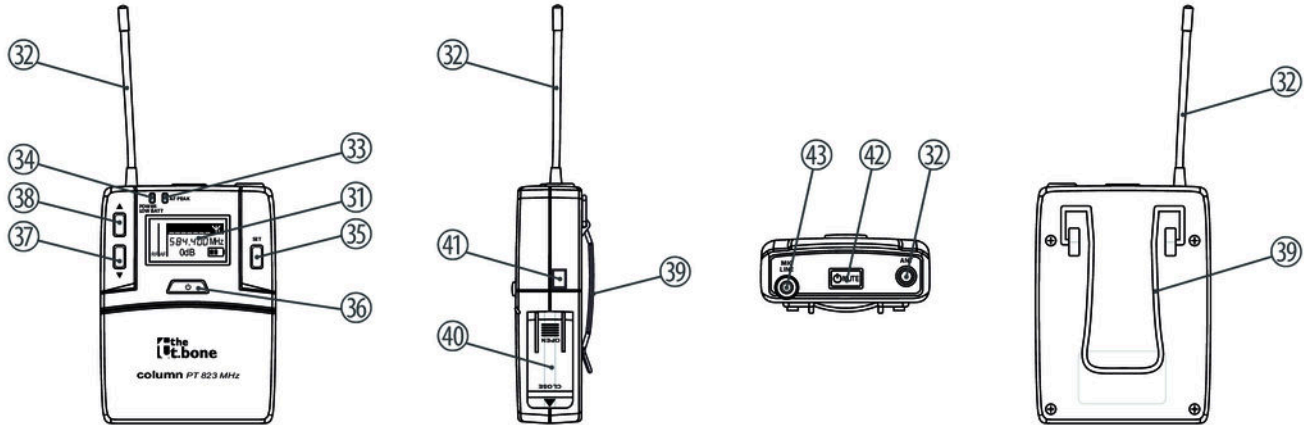
	3.5 mm TRS phone socket for audio signal output and direct connection to a camera.
--	--

Display



14	Displays the name of the transmission path, if it has been set.
15	Battery level indicator. Replace the batteries as soon as the symbol flashes. Reduces the voltage of the batteries even further if the transmitter is automatically switched off.
16	Displays the set attenuation of the audio signal level.
17	Indicates the frequency that is assigned to the set combination of frequency group and channel.
18	[AF] Indicates the audio signal level.
19	[RF] Shows the level of the radio signal received.

## 5.2 Bodypack transmitter

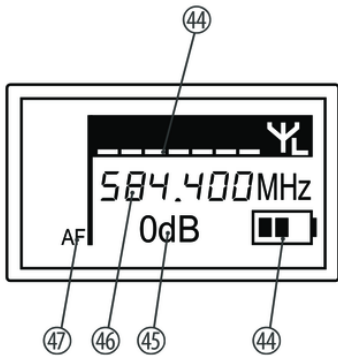


31	Display
32	Flexible antenna
33	<i>[AF PEAK]</i> Indicates that an audio signal is present at the input.
34	<i>[POWER / LOW BATT]</i> Lights up when the device is turned on. Blinks when the remaining capacity of the batteries gets too low.
35	<i>[SET]</i> Opens the menu and selects a menu item.
36	Main switch. Turns the device on and off.
37, 38	▲, ▼ Toggles between the menu items of a menu level, increases or decreases the displayed value by one.
39	Retaining clamp
40	Battery compartment for two AA batteries (LR06), 1.5 V or comparable rechargeable batteries
41	Infrared sensor

- |    |  |
|----|--|
| 42 | <i>[MUTE]</i><br>Temporarily mutes or unmutes the transmitter.       |
| 43 | <i>[MIC/LINE]</i><br>3.5 mm TRS phone socket for audio signal input. |



Display



44	Displays the name of the transmission path, if it has been set.
45	Battery level indicator. Replace the batteries as soon as the symbol flashes. Reduces the voltage of the batteries even further if the transmitter is automatically switched off.
46	Displays the set attenuation of the audio signal level.
47	Indicates the frequency that is assigned to the set combination of frequency group and channel.
48	[AF] Indicates the audio signal level.
49	[RF] Shows the level of the radio signal sent.

## 6 Operating

### 6.1 Bodypack receiver

#### Switching the device on / off

- 1.** ▶ To turn the unit on, press the main switch for two seconds.
  - ⇒ The LED [*POWER / LOW BATT*] is lit.
- 2.** ▶ To turn the unit off, press the main switch for several seconds.
  - ⇒ The '*Power&lock*' menu opens up.
- 3.** ▶ Use the arrow buttons to select the menu item '*Power off*' and confirm with '*SET*'.
  - ⇒ The message '*OFF*' appears in the display, die LED [*POWER / LOW BATT*] turns off, the device is being switched off.

## Automatic search for a free channel

1. ▶ Press *[SET]*.
  - ⇒ The main menu opens up.
2. ▶ Use the arrow buttons to select the submenu '*Scan New List*'.  
Press *[SET]* to confirm the selection.
  - ⇒ The system tests the entire frequency range and determines the free channels. As a result, the number of free channels is displayed.
3. ▶ Use the arrow keys to select one of the free channels.  
Press *[SET]* to confirm the selection.
  - ⇒ The display shows that the receiver is being adjusted to the new frequency. After a few seconds, the display shows the normal state again.
4. ▶ Press the main switch to close the menu.

### Select channel

- 1.** ▶ Press *[SET]*.  
⇒ The main menu opens up.
- 2.** ▶ Use the arrow buttons to select the submenu '*Freq. preset*'.  
Press *[SET]* to confirm the selection.  
⇒ The '*CH xxx*' display appears.
- 3.** ▶ Use the arrow buttons to select a channel between 1 and 90. The bottom line of the display shows the corresponding frequency.  
Select channel U to enter the frequency directly.  
Press *[SET]* to confirm the selection.  
⇒ The display shows that the receiver is being adjusted to the new frequency. After a few seconds, the display shows the normal state again.
- 4.** ▶ Press the main switch to close the menu.

## Entering the frequency directly (channel U)

- 1.** ▶ Press *[SET]*.  
⇒ The main menu opens up.
- 2.** ▶ Use the arrow buttons to select the submenu '*Advanced*'.  
Press *[SET]* to confirm the selection.
- 3.** ▶ Use the arrow buttons to select the submenu '*Tune*'.  
Press *[SET]* to confirm the selection.
- 4.** ▶ First use the arrow buttons to set the value before the decimal point, then press *[SET]* and set the value after the decimal point.  
Press *[SET]* to confirm the entry.  
⇒ The display shows that the receiver is being adjusted to the new frequency. After a few seconds, the display shows the normal state again.
- 5.** ▶ Press the main switch to close the menu.

### Synchronizing transmitter and receiver

1. ▶ Ensure that the transmitter is switched on.
2. ▶ Press *[SET]* on the receiver.
  - ⇒ The main menu opens up.
3. ▶ Use the arrow buttons to select the submenu 'Sync'.  
Press *[SET]* to confirm the selection.
  - ⇒ The 'sync' display appears. The receiver now synchronizes its settings with the transmitter.
4. ▶ Hold the infrared sensor of the transmitter near the infrared interface of the receiver within ten seconds.
5. ▶ When the synchronization is complete, the display returns to showing the basic state.
6. ▶ Press the main switch to close the menu.

## Setting squelch

This setting sets a threshold value in the reception sensitivity under which the receiver is muted.

- 1.** ▶ Press *[SET]*.  
⇒ The main menu opens up.
- 2.** ▶ Use the arrow buttons to select the submenu '*Advanced*'.  
Press *[SET]* to confirm the selection.
- 3.** ▶ Use the arrow buttons to select the menu item '*Squelch*'.  
Press *[SET]* to confirm the selection.
- 4.** ▶ Use the arrow buttons to choose between '*High*', '*Mid*' and '*Low*'.  
Press *[SET]* to confirm the entry.
- 5.** ▶ Press the main switch to close the menu.

### Turning the pilot tone on / off

By transmitting an inaudible pilot tone, the devices involved can automatically detect whether the radio link is working.

- 1.** ▶ Press *[SET]*.  
⇒ The main menu opens up.
- 2.** ▶ Use the arrow buttons to select the submenu '*Advanced*'.  
Press *[SET]* to confirm the selection.
- 3.** ▶ Use the arrow buttons to select the menu item '*Pilot Tone*'.  
Press *[SET]* to confirm the selection.
- 4.** ▶ Use the arrow buttons to select between '*Activate*' (pilot tone on), '*Deactivate*' (pilot tone off).  
Press *[SET]* to confirm the entry.
- 5.** ▶ Press the main switch to close the menu.



## Showing software version

- 1.** ▶ Press *[SET]*.  
⇒ The main menu opens up.
- 2.** ▶ Use the arrow buttons to select the submenu '*Advanced*'.  
Press *[SET]* to confirm the selection.
- 3.** ▶ Use the arrow buttons to select the menu item '*Software Revision*'.  
Press *[SET]* to confirm the selection.  
⇒ The software version of the device is displayed.
- 4.** ▶ Press the main switch to close the menu.

### Resetting to basic settings

- 1.** ▶ Press *[SET]*.  
⇒ The main menu opens up.
- 2.** ▶ Use the arrow buttons to select the submenu '*Advanced*'.  
Press *[SET]* to confirm the selection.
- 3.** ▶ Use the arrow buttons to select the menu item '*Reset*'.  
Press *[SET]* to confirm the selection.
- 4.** ▶ Use the arrow buttons to select the option '*Yes*'.  
Press *[SET]* to confirm the selection.  
⇒ The display shows '*Stored*', the factory settings are being restored.
- 5.** ▶ Press the main switch to close the menu.

## Adjusting the display contrast



- 1.** ▶ Press *[SET]*.  
⇒ The main menu opens up.
- 2.** ▶ Use the arrow buttons to select the submenu '*LCD contrast*'.  
Press *[SET]* to confirm the selection.
- 3.** ▶ Use the arrow keys to select a value between 1 and 15.  
Press *[SET]* to confirm the selection.  
⇒ The display shows '*Stored*', the settings are being applied.
- 4.** ▶ Press the main switch to close the menu.

### Labelling the device

To clearly identify the device in the display, you can assign a name to it

- 1.** ▶ Press *[SET]*.  
⇒ The main menu opens up.
- 2.** ▶ Use the arrow buttons to select the submenu *'Name'*.  
Press *[SET]* to confirm the selection.
- 3.** ▶ Use the arrow buttons to select a character at the current cursor position.  
Press *[SET]* to confirm the selection and move the cursor one position to the right.  
⇒ After the last digit, the display will show *'Stored'*, the setting will be applied.
- 4.** ▶ Press the main switch to close the menu.

## Locking or unlocking the buttons

- 1.** ▶ Press the main switch for two seconds.
  - ⇒ The *'Power&lock'* menu opens up.
- 2.** ▶ Use the arrow buttons to select the menu item *'Lock'* and confirm with *'SET'*.
  - ⇒ The message *'System locked'*, appears in the display, the device is getting locked. After a few seconds, the menu is closed. The symbol  appears on the display.
- 3.** ▶ Even when the buttons are locked, you can change the output level (volume) using the arrow buttons.
- 4.** ▶ To cancel the key lock, press *[SET]* until the message *'System unlock'* appears.
  - ⇒ The keys have their original function again. The symbol  is no longer visible.

### Adjusting the output level (volume)

- 1.** ▶ Press *[SET]*.  
⇒ The main menu opens up.
- 2.** ▶ Use the arrow buttons to select the submenu '*Output*'.  
Press *[SET]* to confirm the selection.
- 3.** ▶ Use the arrow buttons to select a value between 0 dB und -42 dB.  
Press *[SET]* to confirm the selection.  
⇒ The display shows '*Stored*', the settings are being applied.
- 4.** ▶ Press the main switch to close the menu.

## 6.2 Bodypack transmitter

### Switching the device on / off

1. ▶ To turn the unit on, press the main switch for several seconds.
  - ⇒ The LED [POWER / LOW BATT] is lit.
2. ▶ To turn the unit off, press the main switch for several seconds.
  - ⇒ The 'Power&lock' menu opens up.
3. ▶ Use the arrow buttons to select the menu item 'Power off' and confirm with 'SET'.
  - ⇒ The message 'OFF' appears in the display, die LED [POWER / LOW BATT] turns off, the device is being switched off.

### Select channel

- 1.** ▶ Press *[SET]*.  
⇒ The main menu opens up.
- 2.** ▶ Use the arrow buttons to select the submenu '*Freq. preset*'.  
Press *[SET]* to confirm the selection.  
⇒ The '*CH xxx*' display appears.
- 3.** ▶ Use the arrow buttons to select a channel between 1 and 90. The bottom line of the display shows the corresponding frequency.  
Select channel U to enter the frequency directly.  
Press *[SET]* to confirm the selection.  
⇒ The display shows that the receiver is being adjusted to the new frequency. After a few seconds, the display shows the normal state again.
- 4.** ▶ Press the main switch to close the menu.



## Entering the frequency directly (channel U)

- 1.** ▶ Press *[SET]*.  
⇒ The main menu opens up.
- 2.** ▶ Use the arrow buttons to select the submenu '*Advanced*'.  
Press *[SET]* to confirm the selection.
- 3.** ▶ Use the arrow buttons to select the submenu '*Tune*'.  
Press *[SET]* to confirm the selection.
- 4.** ▶ First use the arrow buttons to set the value before the decimal point, then press *[SET]* and set the value after the decimal point.  
Press *[SET]* to confirm the entry.  
⇒ The display shows that the receiver is being adjusted to the new frequency. After a few seconds, the display shows the normal state again.
- 5.** ▶ Press the main switch to close the menu.

### Turning the pilot tone on / off

By transmitting an inaudible pilot tone, the devices involved can automatically detect whether the radio link is working.

- 1.** ▶ Press *[SET]*.  
⇒ The main menu opens up.
- 2.** ▶ Use the arrow buttons to select the submenu '*Advanced*'.  
Press *[SET]* to confirm the selection.
- 3.** ▶ Use the arrow buttons to select the menu item '*Pilot Tone*'.  
Press *[SET]* to confirm the selection.
- 4.** ▶ Use the arrow buttons to select between '*Activate*' (pilot tone on), '*Deactivate*' (pilot tone off).  
Press *[SET]* to confirm the entry.
- 5.** ▶ Press the main switch to close the menu.

## Showing software version

- 1.** ▶ Press *[SET]*.  
⇒ The main menu opens up.
- 2.** ▶ Use the arrow buttons to select the submenu '*Advanced*'.  
Press *[SET]* to confirm the selection.
- 3.** ▶ Use the arrow buttons to select the menu item '*Software Revision*'.  
Press *[SET]* to confirm the selection.  
⇒ The software version of the device is displayed.
- 4.** ▶ Press the main switch to close the menu.

### Resetting to basic settings

- 1.** ▶ Press *[SET]*.  
⇒ The main menu opens up.
- 2.** ▶ Use the arrow buttons to select the submenu '*Advanced*'.  
Press *[SET]* to confirm the selection.
- 3.** ▶ Use the arrow buttons to select the menu item '*Reset*'.  
Press *[SET]* to confirm the selection.
- 4.** ▶ Use the arrow buttons to select the option '*Yes*'.  
Press *[SET]* to confirm the selection.  
⇒ The display shows '*Stored*', the factory settings are being restored.
- 5.** ▶ Press the main switch to close the menu.

## Adjusting the display contrast



- 1.** ▶ Press *[SET]*.  
⇒ The main menu opens up.
- 2.** ▶ Use the arrow buttons to select the submenu '*LCD contrast*'.  
Press *[SET]* to confirm the selection.
- 3.** ▶ Use the arrow keys to select a value between 1 and 15.  
Press *[SET]* to confirm the selection.  
⇒ The display shows '*Stored*', the settings are being applied.
- 4.** ▶ Press the main switch to close the menu.

### Labelling the device

To clearly identify the device in the display, you can assign a name to it

- 1.** ▶ Press *[SET]*.
  - ⇒ The main menu opens up.
- 2.** ▶ Use the arrow buttons to select the submenu *'Name'*.
  - Press *[SET]* to confirm the selection.
- 3.** ▶ Use the arrow buttons to select a character at the current cursor position.
  - Press *[SET]* to confirm the selection and move the cursor one position to the right.
  - ⇒ After the last digit, the display will show *'Stored'*, the setting will be applied.
- 4.** ▶ Press the main switch to close the menu.

## Locking or unlocking the buttons

- 1.** ▶ Press the main switch for several seconds.
  - ⇒ The *'Power&lock'* menu opens up.
- 2.** ▶ Use the arrow buttons to select the menu item *'Lock'* and confirm with *'SET'*.
  - ⇒ The message *'System locked'*, appears in the display, the device is getting locked. After a few seconds, the menu is closed. The symbol  appears on the display.
- 3.** ▶ To cancel the key lock, press *[SET]* until the message *'System unlock'* appears.
  - ⇒ The keys have their original function again. The symbol  is no longer visible.

### Setting the input sensitivity

- 1.** ▶ Press *[SET]*.  
⇒ The main menu opens up.
- 2.** ▶ Use the arrow buttons to select the submenu '*Sensitivity*'.  
Press *[SET]* to confirm the selection.
- 3.** ▶ Use the arrow buttons to select a value between  $-21$  dB and  $+22$  dB.  
Press *[SET]* to confirm the entry.
- 4.** ▶ Press the main switch to close the menu.



## 7 Technical specifications

### 7.1 Bodypack receiver

Frequency band	UHF band (823 MHz...832 MHz)
Bandwidth	9 MHz
Number of channels	90
Modulation type	Frequency modulation (FM)
Sensitivity (RF)	<-98 dBm (@ 30 dB)
Image frequency rejection	>75 dB
Pilot tone	32.768 kHz (switchable)
NF frequency response	50 Hz...15 kHz ( $\pm 3$ dB)
THD	< 0.5 %
Signal-to-noise ratio	> 105 dB (A)

Audio output level	0 dBV
Output impedance	600 $\Omega$
Operating supply voltage	2 AA cells (LR6, 1.5 V) or corresponding rechargeable batteries
Dimensions (W $\times$ H $\times$ D)	66 mm $\times$ 90 mm $\times$ 26 mm (15.35in. $\times$ 15.55in. $\times$ 5.31in.)
Weight (without batteries)	160 g

## 7.2 Bodypack transmitter

Transmission power	20 mW
Pilot tone	32.768 kHz (switchable)
Input impedance	5 k $\Omega$
Operating supply voltage	2 AA cells (LR6, 1.5 V) or corresponding rechargeable batteries
Operating time	> 8 h (with alkaline cells) 1300 mAh)

Dimensions (W × H × D)	66 mm × 90 mm × 26 mm (15.35in. × 15.55in. × 5.31in.)
Weight (without batteries)	160 g

Frequency band, number of channels, bandwidth, and modulation type correspond to those of the receiver.

## 8 Plug and connection assignment

### Introduction

This chapter will help you select the right cables and plugs to connect your valuable equipment in such a way that a perfect sound experience is ensured.

Please note these advices, because especially in 'Sound & Light' caution is indicated: Even if a plug fits into the socket, an incorrect connection may result in a destroyed power amp, a short circuit or 'just' in poor transmission quality!

### Balanced and unbalanced transmission

Unbalanced transmission is mainly used in semi-professional environment and in hifi use. Instrument cables with two conductors (one core plus shielding) are typical representatives of the unbalanced transmission. One conductor is ground and shielding while the signal is transmitted through the core.

Unbalanced transmission is susceptible to electromagnetic interference, especially at low levels, such as microphone signals and when using long cables.

In a professional environment, therefore, the balanced transmission is preferred, because this enables an undisturbed transmission of signals over long distances. In addition to the conductors 'Ground' and 'Signal', in a balanced transmission a second core is added. This also transfers the signal, but phase-shifted by 180°.

Since the interference affects both cores equally, by subtracting the phase-shifted signals, the interfering signal is completely neutralized. The result is a pure signal without any noise interference.

**Three-pole 1/8" mini phone jack  
(stereo, unbalanced)**



1	Signal (left)
2	Signal (right)
3	Ground, shielding

## 9 Troubleshooting

In the following we list a few common problems that may occur during operation. We give you some suggestions for easy troubleshooting:

Symptom	Remedy
No sound	<ol style="list-style-type: none"> <li>1. Check the power supply of transmitter and receiver.</li> <li>2. Make sure that transmitter and receiver are operating in the same frequency range.</li> <li>3. Are transmitter and receiver set to the same channel?</li> <li>4. Test the connection between the receiver and the connected camera. Is the connected camera turned on and does the signal level at the output of the receiver match the input requirements of the camera?</li> <li>5. See if the audio transmission works when you move the transmitter closer to the receiver.</li> <li>6. Make sure that no metal objects near the transmitter or receiver obstruct the transmission.</li> </ol>
Transmission is interrupted.	<ol style="list-style-type: none"> <li>1. Modify the orientation of the antennas.</li> <li>2. If you use more than one wireless system at the same time, check the used frequencies and channels.</li> <li>3. Interference can also be caused by other radio or in-ear systems.</li> </ol>

If the procedures recommended above do not succeed, please contact our Service Center. You can find the contact information at [www.thomann.de](http://www.thomann.de).



## 10 Protecting the environment

### Disposal of the packaging material



For the transport and protective packaging, environmentally friendly materials have been chosen that can be supplied to normal recycling.

Ensure that plastic bags, packaging, etc. are properly disposed of.

Do not just dispose these materials with your normal household waste, but make sure that they are fed to a recovery. Please follow the notes and markings on the packaging.

### Disposal of batteries



Batteries must not be disposed of as domestic waste or thrown into fire. Dispose of the batteries according to national or local regulations regarding hazardous waste. To protect the environment, dispose of empty batteries at your retail store or at appropriate collection sites.

### Disposal of your old device



This product is subject to the European Waste Electrical and Electronic Equipment Directive (WEEE) in its currently valid version. Do not dispose with your normal household waste.

Dispose this device through an approved waste disposal firm or through your local waste facility. When discarding the device, comply with the rules and regulations that apply in your country. If in doubt, consult your local waste disposal facility.



