



**thomann** generation

USB Mix 2  
mixer

Musikhaus Thomann  
Thomann GmbH  
Hans-Thomann-Straße 1  
96138 Burgebrach  
Germany  
Telephone: +49 (0) 9546 9223-0  
E-mail: [info@thomann.de](mailto:info@thomann.de)  
Internet: [www.thomann.de](http://www.thomann.de)

04.08.2021, ID: 441269 (V2)

---

## Table of contents

|          |   |           |
|----------|---|-----------|
| <b>1</b> | <b>General information</b> .....            | <b>4</b>  |
|          | 1.1 Further information.....                | 5         |
|          | 1.2 Notational conventions.....             | 6         |
|          | 1.3 Symbols and signal words.....           | 6         |
| <b>2</b> | <b>Safety instructions</b> .....            | <b>8</b>  |
| <b>3</b> | <b>Features</b> .....                       | <b>11</b> |
| <b>4</b> | <b>Installation</b> .....                   | <b>12</b> |
| <b>5</b> | <b>Connections and controls</b> .....       | <b>14</b> |
| <b>6</b> | <b>Technical specifications</b> .....       | <b>20</b> |
| <b>7</b> | <b>Plug and connection assignment</b> ..... | <b>22</b> |
| <b>8</b> | <b>Protecting the environment</b> .....     | <b>25</b> |

# 1 General information

This user manual contains important information on the safe operation of the device. Read and follow all safety notes and all instructions. Save this manual for future reference. Make sure that it is available to all persons using this device. If you sell the device to another user, be sure that they also receive this manual.

Our products and user manuals are subject to a process of continuous development. We therefore reserve the right to make changes without notice. Please refer to the latest version of the user manual which is ready for download under [www.thomann.de](http://www.thomann.de).

## 1.1 Further information

On our website ([www.thomann.de](http://www.thomann.de)) you will find lots of further information and details on the following points:

|                       |   |
|-----------------------|---|
| Download              | This manual is also available as PDF file for you to download.                                    |
| Keyword search        | Use the search function in the electronic version to find the topics of interest for you quickly. |
| Online guides         | Our online guides provide detailed information on technical basics and terms.                     |
| Personal consultation | For personal consultation please contact our technical hotline.                                   |
| Service               | If you have any problems with the device the customer service will gladly assist you.             |

## 1.2 Notational conventions

This manual uses the following notational conventions:



### Letterings

The letterings for connectors and controls are marked by square brackets and italics.

**Examples:** *[VOLUME]* control, *[Mono]* button.

## 1.3 Symbols and signal words

In this section you will find an overview of the meaning of symbols and signal words that are used in this manual.

| Signal word   | Meaning  |
|---|--|
| <b>DANGER!</b>  | This combination of symbol and signal word indicates an immediate dangerous situation that will result in death or serious injury if it is not avoided.        |
| <b>NOTICE!</b>  | This combination of symbol and signal word indicates a possible dangerous situation that can result in material and environmental damage if it is not avoided. |
| Warning signs   | Type of danger   |
|  | Warning – high-voltage.  |
|  | Warning – danger zone.   |

## 2 Safety instructions

### Intended use

This device is intended to be used for amplification, mixing and playback of signals from musical instruments and microphones. Use the device only as described in this user manual. Any other use or use under other operating conditions is considered to be improper and may result in personal injury or property damage. No liability will be assumed for damages resulting from improper use.

This device may be used only by persons with sufficient physical, sensorial, and intellectual abilities and having corresponding knowledge and experience. Other persons may use this device only if they are supervised or instructed by a person who is responsible for their safety.

### Safety



#### **DANGER!**

#### **Danger for children**

Ensure that plastic bags, packaging, etc. are disposed of properly and are not within reach of babies and young children. Choking hazard! Ensure that children do not detach any small parts (e.g. knobs or the like) from the unit. They could swallow the pieces and choke! Never let children unattended use electrical devices.



**DANGER!****Electric shock caused by high voltages inside**

Within the device there are areas where high voltages may be present. Never remove any covers. There are no user-serviceable parts inside. Do not use the device if covers, protectors or optical components are missing or damaged.

**DANGER!****Electric shock caused by short-circuit**

Always use proper ready-made insulated mains cabling (power cord) with a protective contact plug. Do not modify the mains cable or the plug. Failure to do so could result in electric shock/death or fire. If in doubt, seek advice from a registered electrician.

**NOTICE!****Risk of fire**

Do not block areas of ventilation. Do not install the device near any direct heat source. Keep the device away from naked flames.

**NOTICE!****Operating conditions**

This device has been designed for indoor use only. To prevent damage, never expose the device to any liquid or moisture. Avoid direct sunlight, heavy dirt, and strong vibrations. Only operate the device within the ambient conditions specified in the chapter 'Technical specifications' of this user manual. Avoid heavy temperature fluctuations and do not switch the device on immediately after it was exposed to temperature fluctuations (for example after transport at low outside temperatures). Dust and dirt inside can damage the unit. When operated in harmful ambient conditions (dust, smoke, nicotine, fog, etc.), the unit should be maintained by qualified service personnel at regular intervals to prevent overheating and other malfunction.



### **NOTICE!**

#### **External power supply**

The device is powered by an external power supply. Before connecting the external power supply, ensure that the input voltage (AC outlet) matches the voltage rating of the device and that the AC outlet is protected by a residual current circuit breaker. Failure to do so could result in damage to the device and possibly the user. Unplug the external power supply before electrical storms occur and when the device is unused for long periods of time to reduce the risk of electric shock or fire.

### 3 Features

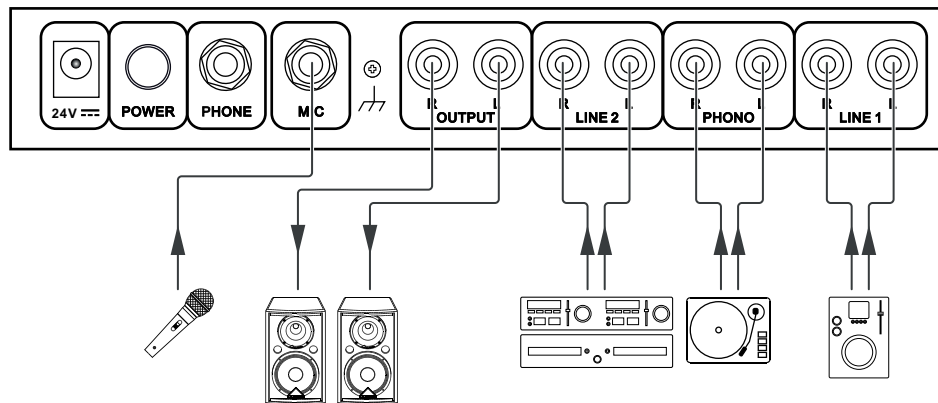
- 2-channel DJ mixer with USB player and FX
- 2 × stereo inputs: 1 phono / line input (RCA sockets), 1 line / input (RCA sockets)
- 1 × USB port
- 1 × microphone input (1/4" phone sockets)
- 1 × headphones output (stereo, as 1/4" phone jack)
- 1 × master output (RCA sockets)
- 1 × USB port for playback

## 4 Installation

Unpack and check carefully there is no transportation damage before using the unit. Keep the equipment packaging. To fully protect the product against vibration, dust and moisture during transportation or storage use the original packaging or your own packaging material suitable for transport or storage, respectively.

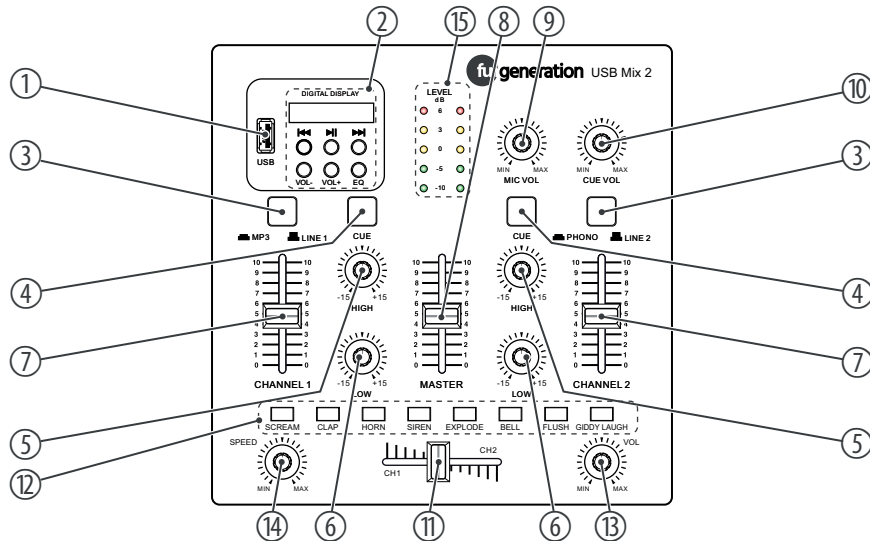
Create all connections while the device is off. Use the shortest possible high-quality cables for all connections. Take care when running the cables to prevent tripping hazards.

Connection options



## 5 Connections and controls

### Front panel



1 *[USB]*  
Connection for recording or playback via a USB device

2 Display and operating the MP3 player



Starts or pauses playback.



Selects the next track for playback.



Selects the previous track for playback.

*[VOL+]*

Increases the volume of the music being played.

*[VOL-]*

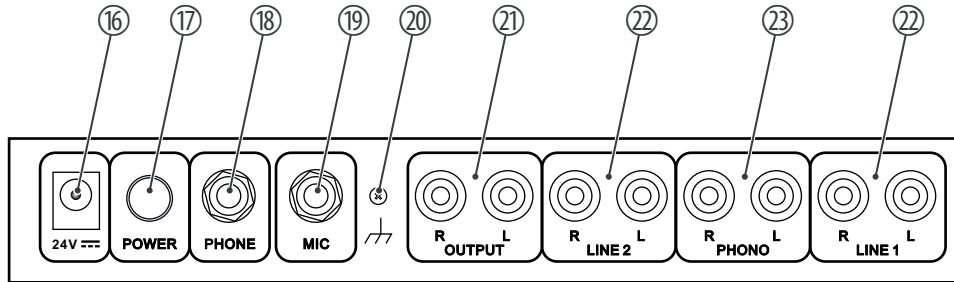
Decreases the volume of the music being played.

|   |  |
|---|--|
|   | <i>[EQ]</i><br>EQ selection  |
| 3 | <i>[MP3 / LINE 1][PHONO / LINE 2]</i><br>Input source selector switch for the respective channel |
| 4 | <i>[CUE]</i><br>Selects the channel that can be heard through the headphones.                    |
| 5 | <i>[HIGH]</i><br>Rotary control for adjusting the high frequencies in the input channel          |
| 6 | <i>[LOW]</i><br>Rotary control for adjusting the low frequencies in the input channel            |
| 7 | <i>[CHANNEL 1 / CHANNEL 2]</i><br>Sliders for adjusting the volume of the respective channel     |
| 8 | <i>[MASTER]</i><br>Control for adjusting the master out volume                                   |



|    |  |
|----|--|
| 9  | <i>[MIC VOL]</i><br>Rotary control for adjusting the volume of the microphone input signal.  |
| 10 | <i>[CUE VOL]</i><br>Rotary control for adjusting the headphones volume   |
| 11 | Crossfader<br>Slider for mixing the signals of the left and right channel If the controller is in middle position, both channels can be heard. |
| 12 | Sound effects<br>8 preprogrammed special sound effects   |
| 13 | <i>[VOL]</i><br>Rotary control for adjusting the sound effects volume.   |
| 14 | <i>[SPEED]</i><br>Rotary control for adjusting the sound effects pitch.  |
| 15 | Level meter<br>Shows the volume of the output channel or the currently selected solo channel   |

## Rear panel



16 [24 V] ~  
Socket for connecting the power adapter

17 [POWER]  
Main switch. Turns the device on and off.

|    |   |
|----|---|
| 18 | <i>[PHONE]</i><br>Output for connecting headphones  |
| 19 | <i>[MIC]</i><br>Microphone input, designed as 1/4" phone socket   |
| 20 | Grounding screw to reduce hum noise when connecting turntables  |
| 21 | <i>[OUTPUT]</i><br>Master output for connecting an amplifier, designed as RCA sockets                   |
| 22 | <i>[LINE 2 / LINE 1]</i><br>Inputs for line level signals (e.g., CD, DVD, MP3), designed as RCA sockets |
| 23 | <i>[PHONO]</i><br>Inputs for signals with phono level (e. g. turntables), designed as RCA sockets       |

## 6 Technical specifications

|                    |                    |           |                      |
|--------------------|--------------------|-----------|----------------------|
| Input connections  | Power supply       |           | Power adapter        |
|                    | Microphone input   | Type      | 1 × 1/4" jack socket |
|                    |                    | Impedance | 2.2 kΩ               |
|                    | Line input         | Type      | 2 × RCA socket       |
|                    |                    | Impedance | 47 kΩ                |
|                    | Phono / Line input | Type      | 1 × RCA socket       |
|                    |                    | Impedance | 47 kΩ                |
| USB                |                    | USB-A     |                      |
| Output connections | Master output      | Type      | 1 × RCA socket       |
|                    |                    | Impedance | 600 Ω                |
|                    | Headphones output  | Type      | 1 × 1/4" jack socket |
|                    |                    | Level     | 10 dBu               |

|                                 |                   |  |
|---------------------------------|-------------------|--|
|                                 | Impedance         | 16–32 Ω  |
| Frequency range                 |                   | 20 Hz ... 20 kHz                                       |
| Signal-to-noise ratio           |                   | > 70 dB  |
| Total harmonic distortion (THD) |                   | < 0.02 %   |
| Power consumption               |                   | 3.6 W  |
| Voltage supply                  |                   | External power adapter, 100 - 240 V ~ 50/60 Hz         |
| Operating voltage               |                   | 24 V $\overline{\text{---}}$ / 250 mA, centre positive |
| Dimensions (W × H × D)          |                   | 207 mm × 206 mm × 50 mm                                |
| Weight                          |                   | 1.35 kg  |
| Ambient conditions              | Temperature range | –10 °C...45 °C   |
|                                 | Relative humidity | 20 %...80 % (non-condensing)                           |

## 7 Plug and connection assignment

### Introduction

This chapter will help you select the right cables and plugs to connect your valuable equipment in such a way that a perfect sound experience is ensured.

Please note these advices, because especially in 'Sound & Light' caution is indicated: Even if a plug fits into the socket, an incorrect connection may result in a destroyed power amp, a short circuit or 'just' in poor transmission quality!

### Balanced and unbalanced transmission

Unbalanced transmission is mainly used in semi-professional environment and in hifi use. Instrument cables with two conductors (one core plus shielding) are typical representatives of the unbalanced transmission. One conductor is ground and shielding while the signal is transmitted through the core.

Unbalanced transmission is susceptible to electromagnetic interference, especially at low levels, such as microphone signals and when using long cables.

In a professional environment, therefore, the balanced transmission is preferred, because this enables an undisturbed transmission of signals over long distances. In addition to the conductors 'Ground' and 'Signal', in a balanced transmission a second core is added. This also transfers the signal, but phase-shifted by 180°.

Since the interference affects both cores equally, by subtracting the phase-shifted signals, the interfering signal is completely neutralized. The result is a pure signal without any noise interference.

**1/4" TS phone plug (mono, unbalanced)**



|   |                   |
|---|-------------------|
| 1 | Signal            |
| 2 | Ground, shielding |

**1/4" TRS phone plug (mono, balanced)**



|   |                          |
|---|--------------------------|
| 1 | Signal (in phase, +)     |
| 2 | Signal (out of phase, -) |
| 3 | Ground                   |

## RCA connection



Drawing and table indicate the pin assignment of an RCA plug.

|   |                   |
|---|-------------------|
| 1 | Signal            |
| 2 | Ground, shielding |



## 8 Protecting the environment

### Disposal of the packaging material



For the transport and protective packaging, environmentally friendly materials have been chosen that can be supplied to normal recycling.

Ensure that plastic bags, packaging, etc. are properly disposed of.

Do not just dispose of these materials with your normal household waste, but make sure that they are collected for recycling. Please follow the notes and markings on the packaging.

### Disposal of your old device



This product is subject to the European Waste Electrical and Electronic Equipment Directive (WEEE) in its currently valid version. Do not dispose with your normal household waste.

Dispose of this device through an approved waste disposal firm or through your local waste facility. When discarding the device, comply with the rules and regulations that apply in your country. If in doubt, consult your local waste disposal facility.





Musikhaus Thomann · Hans-Thomann-Straße 1 · 96138 Burgebrach · Germany · [www.thomann.de](http://www.thomann.de)