



Hero Spot 90  
Hero Spot 90 WH

moving head

Musikhaus Thomann  
Thomann GmbH  
Hans-Thomann-Straße 1  
96138 Burgebrach  
Germany  
Telephone: +49 (0) 9546 9223-0  
E-mail: [info@thomann.de](mailto:info@thomann.de)  
Internet: [www.thomann.de](http://www.thomann.de)

25.11.2021, ID: 449224, 481677 (V4)

---

# Table of contents

<b>1</b>	<b>General information</b> .....	<b>6</b>
	1.1 Further information.....	7
	1.2 Notational conventions.....	8
	1.3 Symbols and signal words.....	9
<b>2</b>	<b>Safety instructions</b> .....	<b>11</b>
<b>3</b>	<b>Features</b> .....	<b>16</b>
<b>4</b>	<b>Installation</b> .....	<b>18</b>
<b>5</b>	<b>Starting up</b> .....	<b>22</b>
<b>6</b>	<b>Connections and controls</b> .....	<b>25</b>
<b>7</b>	<b>Operating</b> .....	<b>31</b>
	7.1 Starting the device.....	31
	7.2 Main menu.....	32
	7.3 Functions in 6-channel DMX mode.....	41
	7.4 Functions in 16-channel DMX mode.....	43
	7.5 Rotatable gobos.....	50

7.6	Static gobos.....	51
<b>8</b>	<b>Technical specifications.....</b>	<b>52</b>
<b>9</b>	<b>Plug and connection assignments.....</b>	<b>56</b>
<b>10</b>	<b>Troubleshooting.....</b>	<b>57</b>
<b>11</b>	<b>Cleaning.....</b>	<b>59</b>
<b>12</b>	<b>Protecting the environment.....</b>	<b>60</b>



# 1 General information

This user manual contains important information on the safe operation of the device. Read and follow all safety notes and all instructions. Save this manual for future reference. Make sure that it is available to all persons using this device. If you sell the device to another user, be sure that they also receive this manual.

Our products and user manuals are subject to a process of continuous development. We therefore reserve the right to make changes without notice. Please refer to the latest version of the user manual which is ready for download under [www.thomann.de](http://www.thomann.de).

## 1.1 Further information

On our website ([www.thomann.de](http://www.thomann.de)) you will find lots of further information and details on the following points:

Download	This manual is also available as PDF file for you to download.
Keyword search	Use the search function in the electronic version to find the topics of interest for you quickly.
Online guides	Our online guides provide detailed information on technical basics and terms.
Personal consultation	For personal consultation please contact our technical hotline.
Service	If you have any problems with the device the customer service will gladly assist you.

## 1.2 Notational conventions

This manual uses the following notational conventions:

### Letterings

The letterings for connectors and controls are marked by square brackets and italics.

**Examples:** *[VOLUME]* control, *[Mono]* button.


### Displays

Texts and values displayed on the device are marked by quotation marks and italics.

**Examples:** *'24ch'*, *'OFF'*.

### Cross-references

References to other locations in this manual are identified by an arrow and the specified page number. In the electronic version of the manual, you can click the cross-reference to jump to the specified location.





Example: See  *'Cross-references'* on page 8.



## 1.3 Symbols and signal words

In this section you will find an overview of the meaning of symbols and signal words that are used in this manual.

Signal word	Meaning
<b>DANGER!</b>	This combination of symbol and signal word indicates an immediate dangerous situation that will result in death or serious injury if it is not avoided.
<b>WARNING!</b>	This combination of symbol and signal word indicates a possible dangerous situation that can result in death or serious injury if it is not avoided.
<b>CAUTION!</b>	This combination of symbol and signal word indicates a possible dangerous situation that can result in minor injury if it is not avoided.
<b>NOTICE!</b>	This combination of symbol and signal word indicates a possible dangerous situation that can result in material and environmental damage if it is not avoided.

Warning signs	Type of danger
	Warning – high-voltage.
	Warning – dangerous optical radiation.
	Warning – suspended load.
	Warning – danger zone.

## 2 Safety instructions

### Intended use

This device is intended for use as a freely moving multifunctional spotlight. The device is designed for professional use and is not suitable for use in households. Use the device only as described in this user manual. Any other use or use under other operating conditions is considered to be improper and may result in personal injury or property damage. No liability will be assumed for damages resulting from improper use.

This device may be used only by persons with sufficient physical, sensorial, and intellectual abilities and having corresponding knowledge and experience. Other persons may use this device only if they are supervised or instructed by a person who is responsible for their safety.



*Extend the operating life of the device by regular breaks and by avoiding frequent switching on and off. The device is not suitable for continuous operation.*

### Safety



#### **DANGER!**

##### **Danger for children**

Ensure that plastic bags, packaging, etc. are disposed of properly and are not within reach of babies and young children. Choking hazard! Ensure that children do not detach any small parts (e.g. knobs or the like) from the unit. They could swallow the pieces and choke! Never let children unattended use electrical devices.



#### **DANGER!**

##### **Electric shock caused by high voltages inside**

Within the device there are areas where high voltages may be present. Never remove any covers. There are no user-serviceable parts inside. Do not use the device if covers, protectors or optical components are missing or damaged.



#### **DANGER!**

##### **Electric shock caused by short-circuit**

Always use proper ready-made insulated mains cabling (power cord) with a protective contact plug. Do not modify the mains cable or the plug. Failure to do so could result in electric shock/death or fire. If in doubt, seek advice from a registered electrician.



#### **WARNING!**

##### **Eye damage caused by high light intensity**

Never look directly into the light source.



**WARNING!**

**Risk of epileptic shock**

Strobe lighting can trigger seizures in photosensitive epilepsy. Sensitive persons should avoid looking at strobe lights.



**WARNING!**

**Risk of injury caused by falling objects**

Make sure that the installation complies with the standards and rules that apply in your country. Always secure the device with a secondary safety attachment, such as a safety cable or a safety chain. The load capacity of trusses or other fixtures must be sufficient for the intended number of devices. Note that the movement of the head places additional loads on the load-bearing parts.



**CAUTION!**

**Risk of injury due to movements of the device**

The head of the device can move quickly (pan, tilt) and can produce very bright light. This is also valid immediately after you turn on the device, when the device operates in automatic mode or under remote control and when you turn off a DMX controller that is connected to the device. Persons staying near the device could be injured or frightened. Before you turn on the device and during the operation, always ensure that nobody stays close to the device. If work has to be performed in the area of movement or in the near vicinity of the device, it must remain turned off.



**NOTICE!**

**Risk of fire**

Do not block areas of ventilation. Do not install the device near any direct heat source. Keep the device away from naked flames.



### **NOTICE!**

#### **Operating conditions**

This device has been designed for indoor use only. To prevent damage, never expose the device to any liquid or moisture. Avoid direct sunlight, heavy dirt, and strong vibrations. Only operate the device within the ambient conditions specified in the chapter 'Technical specifications' of this user manual. Avoid heavy temperature fluctuations and do not switch the device on immediately after it was exposed to temperature fluctuations (for example after transport at low outside temperatures). Dust and dirt inside can damage the unit. When operated in harmful ambient conditions (dust, smoke, nicotine, fog, etc.), the unit should be maintained by qualified service personnel at regular intervals to prevent overheating and other malfunction. The device must not be moved during use.



### **NOTICE!**

#### **Power supply**

Before connecting the device, ensure that the input voltage (AC outlet) matches the voltage rating of the device and that the AC outlet is protected by a residual current circuit breaker. Failure to do so could result in damage to the device and possibly injure the user. Unplug the device before electrical storms occur and when it is unused for long periods of time to reduce the risk of electric shock or fire.



### **NOTICE!**

#### **Possible staining**

The plasticiser contained in the rubber feet of this product may possibly react with the coating of your surface and after some time cause permanent dark stains. In case of doubt, do not put the rubber feet directly on the surface and use a suitable underlay if necessary, i.e. felt-pad floor protectors or similar.



**NOTICE!**

**Risk of overheating**



The distance between light output and the illuminated surface must be more than 1.5 m (19.7in). Provide sufficient ventilation. The ambient temperature must always be below 40 °C (104 °F).



**NOTICE!**

**Possible damage due to installation of a wrong fuse**



The use of different types of fuses can cause serious damage to the unit. Fire hazard! Only fuses of the same type may be used.



**NOTICE!**

**Risk of fire due to incorrect polarity**



Incorrectly inserted batteries may destroy the device or the batteries. Ensure that proper polarity is observed when inserting batteries.



**NOTICE!**

**Possible damage by leaking batteries**



Leaking batteries can cause permanent damage to the device. Take batteries out of the device if it is not going to be used for a longer period.

## 3 Features

Special features of the device:

- 1 × 90 W LED
- Beam angle 15°
- Motorised focus
- Two movable axles with 16 bit resolution:
  - Tilt (230 °)
  - Pan (540 °)
- Control via DMX (6 or 16 channels), via buttons and display on the unit or via IR remote control (item no. 470388, optional)
- Built-in automatic show programmes
- Sound control
- Master / Slave mode
- 3-facet prism
- Gobo wheel with 6 rotatable gobos
- Gobo wheel with 8 static gobos
- Gobo Flow
- Colour wheel with 7 colours plus white



- Electronic dimmer
- Robust metal and plastic housing

For technological reasons, the light output of LEDs decreases over their lifetime. This effect increases with higher operating temperature. You can extend the service life of the illuminants by providing adequate ventilation and operating the LEDs with the lowest possible brightness.

# 4 Installation

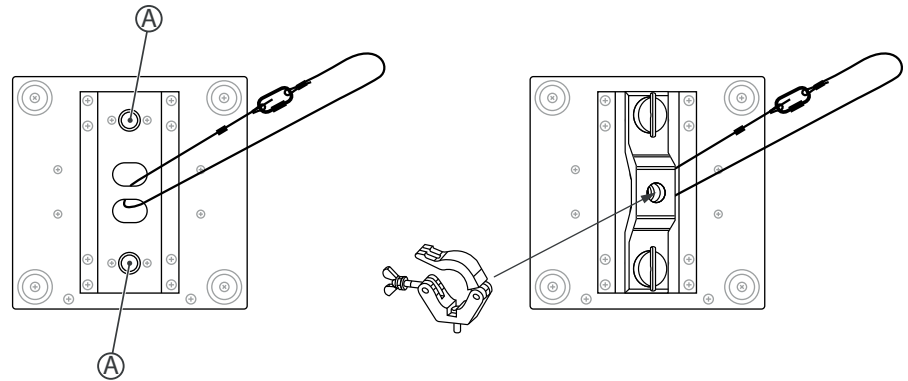
Unpack and check carefully there is no transportation damage before using the unit. Keep the equipment packaging. To fully protect the product against vibration, dust and moisture during transportation or storage use the original packaging or your own packaging material suitable for transport or storage, respectively.

Lift the device only at the base. When lifted at the rotatable mounting, the device may be damaged.

You can install the device standing or hanging. When in use, the device must be mounted at a solid surface or clamped to an approved truss.

Work from a stable platform whenever you install or move the device or when you perform any kind of maintenance. Block access under the work area.

## Mounting options



The threads on the bottom side of the housing (A) allow the secure attachment of the included mounting bracket. There, you can fasten adapters such as half couplers, trigger clamps, c-hooks etc. The safety cable is threaded through the cut-outs on the bottom of the housing.

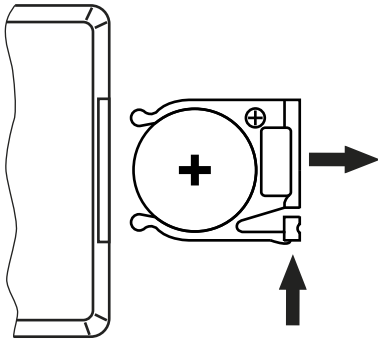


*Please note that this device must not be connected to a dimmer.*

### Inserting the battery into the remote control

Press the lock of the battery holder to the centre of the housing and pull out the battery holder like a drawer. Insert the battery. The battery is correct if the positive pole points to the housing base of the remote control. Slide the battery holder back into the remote until it clicks into place.

When shipping, the battery is already installed in the remote and protected against discharge by a transparent plastic foil. Remove the plastic foil prior to first use.

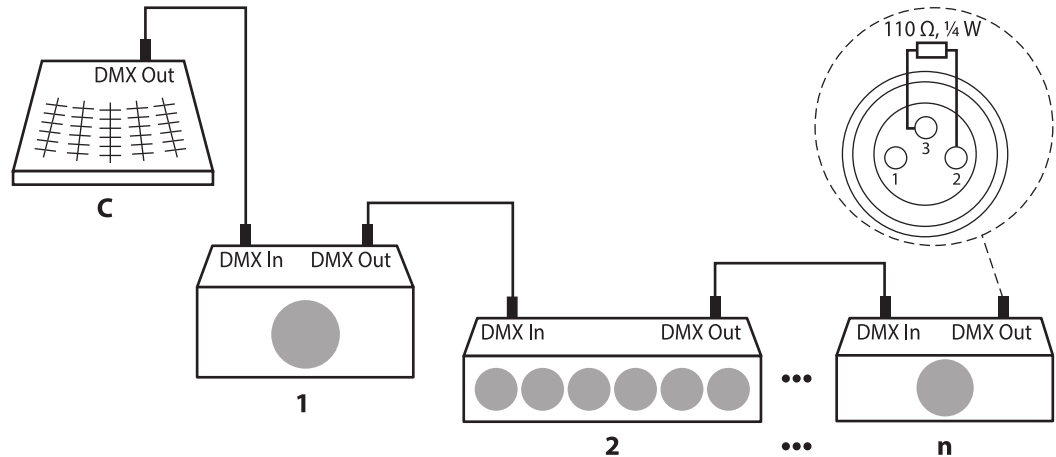


## 5 Starting up

Create all connections while the device is off. Use the shortest possible high-quality cables for all connections. Take care when running the cables to prevent tripping hazards.

**Connections in DMX mode**

Connect the DMX input of the device to the DMX output of a DMX controller or another DMX device. Connect the output of the first DMX device to the input of the second one, and so on to form a daisy chain. Always ensure that the output of the last DMX device in the daisy chain is terminated with a resistor ( $110\ \Omega$ ,  $\frac{1}{4}\ \text{W}$ ).

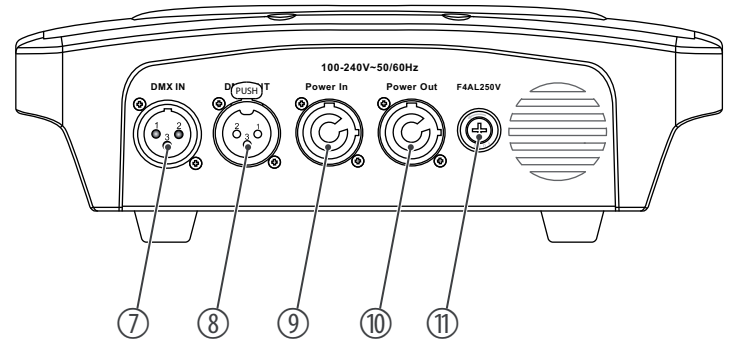
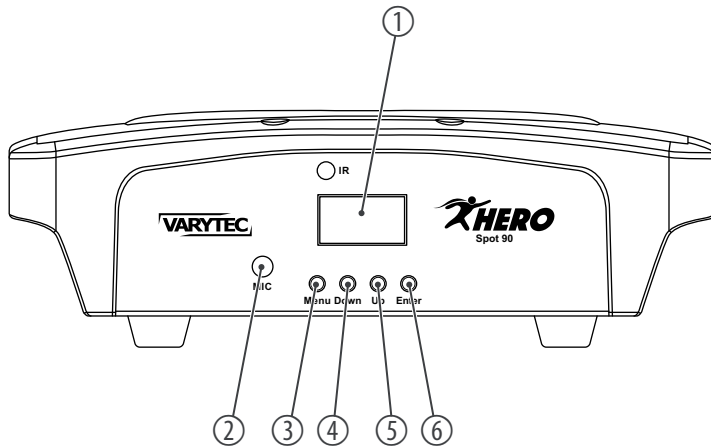


### **Connections in master/slave mode**

When you configure a group of devices in master/slave mode, the first unit will control the other units for an automatic, sound-activated, synchronized show. This function is ideal when you want to start a show immediately. Connect the DMX output of the master device to the DMX input of the first slave device. Then connect the DMX output of the first slave device to the DMX input of the second slave device and so on.



## 6 Connections and controls



1	Display
2	Built-in microphone for sound control
3	<i>[MENU]</i> Activates the main and the settings menu and toggles between menu items. Closes an open submenu without saving any changes.
4	<i>[DOWN]</i> Decreases the displayed value by one.
5	<i>[UP]</i> Increases the displayed value by one.
6	<i>[ENTER]</i> Selects an option of the respective operating mode, confirms the set value.
7	<i>[DMX IN]</i> DMX input
8	<i>[DMX OUT]</i> DMX output

9 *[POWER IN]*

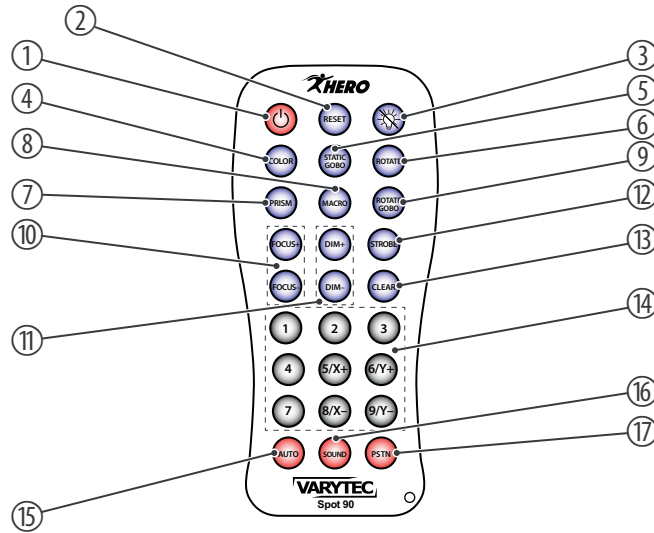
Lockable input socket (Power Twist) for mains power supply

10 *[POWER OUT]*

Lockable output socket (Power Twist) for powering a connected device

11 Fuse holder

## Remote control



	Button	Function
1	⏻	Turns the remote control on and off.
2	[RESET]	Performs a device reset (duration approx. 45 s).
3	☼	Switches LEDs in the manual colour mixing mode on or off.
4	[COLOR]	
	Colour macros	2 × split colour
		2 × colour gradient quickly
		1 × colour gradient slowly
5	[STATIC GOBO]	Switches the static gobo wheel on or off.
6	[ROTATE]	Adjusts the gobo wheel rotation.
7	[PRISM]	No function
8	[MACRO]	Sets the colour and gobo macro combinations.
9	[ROTATE GOBO]	Switches the rotating gobo wheel on or off.
10	[FOCUS+] / [FOCUS-]	Adjusts the focus.

	<b>Button</b>	<b>Function</b>
11	<i>[DIM+] / [DIM-]</i>	Dims the overall intensity in the manual colour mixing mode.
12	<i>[STROBE]</i>	Adjusts the strobe effect in eight steps.
13	<i>[CLEAR]</i>	Switches off all set functions.
14	Numeric keypad	
	<i>[1] [2] [3] [4] [5/X+] [6/Y+] [7] [8/X-] [9/Y-]</i>	When <i>[AUTO]</i> is activated: Selects the automatic programmes <i>[1] ... [9]</i> .
	<i>[5/X+] [6/Y+] [8/X-] [9/Y-]</i>	When <i>[PSTN]</i> is activated: Manually sets the static position.
15	<i>[AUTO]</i>	Activates the selection of automatic programmes.
16	<i>[SOUND]</i>	Activates the sound-control.
17	<i>[PSTN]</i>	Activates the manual static position adjustment.

## 7 Operating

### 7.1 Starting the device



#### **CAUTION!**

#### **Risk of injury due to movements of the device**

The head of the device can move quickly (pan, tilt) and can produce very bright light. This is also valid immediately after you turn on the device, when the device operates in automatic mode or under remote control and when you turn off a DMX controller that is connected to the device. Persons staying near the device could be injured or frightened.

Before you turn on the device and during the operation, always ensure that nobody stays close to the device. If work has to be performed in the area of movement or in the near vicinity of the device, it must remain turned off.

Connect the device to the power supply to start operation. After a few seconds, the fans start to work, the head moves to the home positions for rotation (pan) and inclination (tilt). After a few more seconds, the display shows '001'. The device is now ready for operation.

## 7.2 Main menu

Press *[ENTER]* to activate the main menu.

Use *[UP]* and *[DOWN]* to change the respectively indicated value. When the display shows the desired value press *[ENTER]*.

To exit the menu item without making changes, press *[MENU]*.

If you don't press any button for 30 seconds the display turns off. Then press *[MENU]*, *[ENTER]*, *[UP]* or *[DOWN]* briefly to turn it on again.

All previous settings are retained even when you switch the device off and disconnect it from the mains.

### DMX address

Use the 'DMX Address' menu to set the DMX address.

Press *[ENTER]* to activate the main menu and use *[UP]* or *[DOWN]* until the display shows 'DMX Address'. Confirm the selection with *[ENTER]* and use *[UP]* or *[DOWN]* to select a value between 1 and 512 to set the desired DMX address.

When the display shows the desired value confirm the setting with *[ENTER]*. To exit the menu item without making changes, press *[MENU]*.

Make sure that this number matches the configuration of your DMX controller.



**DMX mode**

Use the *'DMX Channel'* menu to set the DMX mode.

Press *[ENTER]* to activate the main menu and use *[UP]* or *[DOWN]* until the display shows *'DMX Channel'*. Confirm the setting with *[ENTER]* and use *[UP]* or *[DOWN]* to select one of two DMX modes (6-channel mode or 16-channel mode, display shows *'DMX 6 Ch'* or *'DMX 16 Ch'*).

When the display shows the desired value confirm the setting with *[ENTER]*. To exit the menu item without making changes, press *[MENU]*.

### Operating mode

Use the *'Running Mode'* menu to set the operating mode.

Press *[ENTER]* to activate the main menu and use *[UP]* or *[DOWN]* until the display shows *'Running Mode'*. Confirm the selection with *[ENTER]* and use *[UP]* or *[DOWN]* to select one of the four operating modes (*'DMX'*, *'Auto'*, *'Sound'*, *'Slave'*).

Operating mode	Function
<i>'DMX'</i>	DMX control In this mode the device is controlled via a DMX controller.
<i>'Auto'</i>	Auto programmes In this mode, the unit plays the preprogrammed shows.
<i>'Sound'</i>	Sound control In this mode, the unit follows the rhythm of the background music or sounds detected by the built-in microphone.
<i>'Slave'</i>	Slave function In this mode, the device follows exactly the operation of the master that it is connected to.

---

When the display shows the desired value confirm the setting with *[ENTER]*. To exit the menu item without making changes, press *[MENU]*.

### **Auto programmes**

Use the *'Programs'* to select one of the preprogrammed shows.

Press *[ENTER]* to activate the main menu and use *[UP]* or *[DOWN]* until the display shows *'Programs'*. Confirm the setting with *[ENTER]* and use *[UP]* or *[DOWN]* to select one of the eight preprogrammed shows (display shows *'Program1' ... 'Program8'*).


When the display shows the desired value confirm the setting with *[ENTER]*. The device plays the selected show as an endless loop. To exit the menu item without making changes, press *[MENU]*.

## Settings

Use the 'Settings' menu to adjust the device parameters.

Press [ENTER] to activate the main menu and use [UP] or [DOWN] until the display shows 'Settings'. Confirm the selection with [ENTER] and use [UP] or [DOWN] to select the desired parameter.

Parameter	Function
'Pan Rev'	Pan inversion Use [UP] or [DOWN] to select 'YES' (reverse rotation) or 'NO' (normal rotation).
'Tilt Rev'	Tilt inversion Use [UP] or [DOWN] to select 'YES' (reverse direction of inclination) or 'NO' (normal direction of inclination).
'Display Rev'	Display inversion Use [UP] or [DOWN] to select 'YES' (text in the display appears upside down) or 'NO' (text in the display appears normal).

Parameter	Function
'Sensitivity'	Microphone sensitivity Use <i>[UP]</i> or <i>[DOWN]</i> to select a value from 0 (sound control off) to 100 (microphone sensitivity high).
'Dmx Fail'	Behaviour on DMX control failure Use <i>[UP]</i> or <i>[DOWN]</i> to select 'OFF' (blackout in case of DMX failure) or 'HOLD' (last DMX signal is being held).
'Calibration'	Calibrating Detailed information about this menu item can be found under  'Calibrating' on page 38.
'Factory Reset'	Reset to factory defaults Use <i>[UP]</i> or <i>[DOWN]</i> to select 'YES' (factory reset) or 'NO' (no factory reset).
'Reset Motor'	Resetting the motor

When the display shows the desired value confirm the setting with *[ENTER]*. To exit the menu item without making changes, press *[MENU]*.

### Calibrating

Use the 'Calibration' menu to adjust the start parameters of the device.

Press *[ENTER]* to activate the main menu and use *[UP]* or *[DOWN]* until the display shows 'Settings'. Confirm the selection with *[ENTER]* and use *[UP]* or *[DOWN]* to select the submenu 'Calibration'.

Confirm the selection with *[ENTER]*. The device prompts you to enter a password. Press *[UP]* or *[DOWN]* repeatedly until the display shows '018' and confirm the selection with *[ENTER]*.

Use *[UP]* or *[DOWN]* to select the desired parameter you want to set.

Parameter	Function
'All To Origin'	Resets all parameters of the calibration to factory settings.
'Pan'	Sets the home position of the rotation.
'Tilt'	Sets the home position of the inclination movement.
'Spot Color'	Sets the initial colour of the spot.
'Gobo'	Sets the first gobo.

Parameter	Function
'Focus'	Sets the default setting of the light bundling.
'Prism'	Adjusts the prism.

When the display shows the desired parameter confirm the setting with *[ENTER]*. Use *[UP]* or *[DOWN]* to select the desired value for the selected parameter (0 ... 120) and confirm the setting with *[ENTER]*. To exit the menu item without making changes, press *[MENU]*.

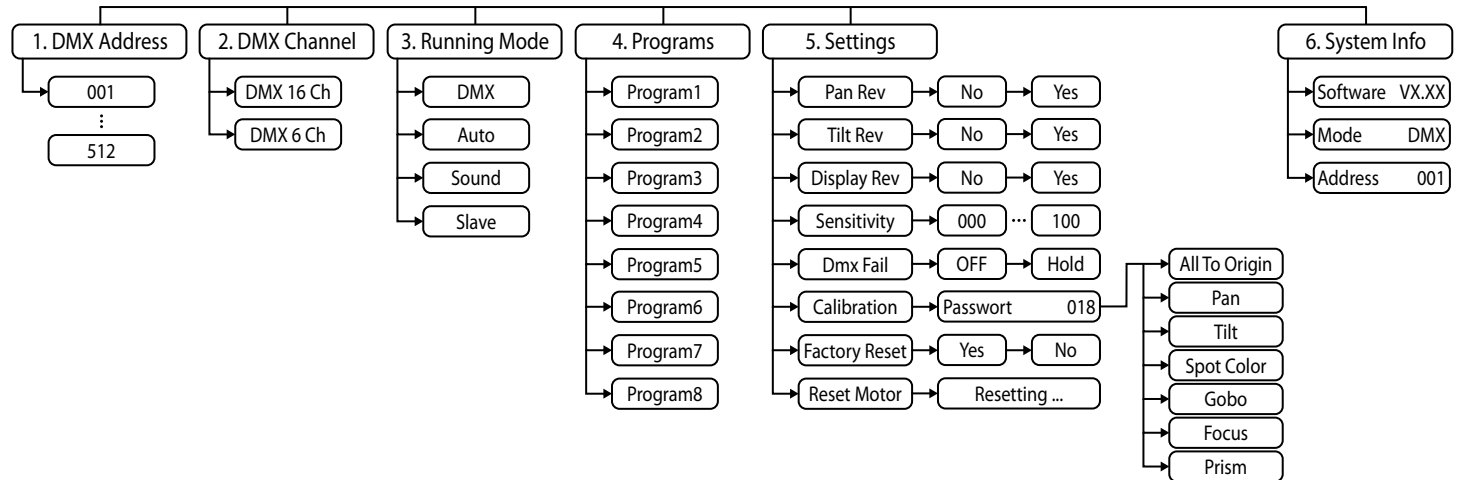
## System information

Use the 'System Info' menu to call up information about the system.

Press *[ENTER]* to activate the main menu and use *[UP]* or *[DOWN]* until the display shows 'System Info'. Confirm the selection with *[ENTER]*.

The display shows the current software version, the current operating mode and the DMX start address.

**Menu overview**





### 7.3 Functions in 6-channel DMX mode

Channel	Value	Function
1	0...255	Rotation (pan) (0° up to the maximum value of the Pan area. middle position: 128)
2	0...255	Inclination (tilt) (0° up to the maximum value of the Tilt area. middle position: 128)
3	0...255	Dimmer intensity from dark (0) to bright (255)
4	Stroboscope / shutter	
	0...4	Shutter closed
	5...250	Stroboscope, increasing speed (0 ... 20 Hz)
	251...255	Shutter open
5	0...7	No function
	8...47	Preprogrammed automatic show 1
	48...87	Preprogrammed automatic show 2
	88...127	Preprogrammed automatic show 3

Channel	Value	Function
	128...167	Preprogrammed automatic show 4
	168...207	Preprogrammed automatic show 5
	208...247	Preprogrammed automatic show 6
	248...255	Sound control colour gobo
6	0...7	No function
	8...32	Pan-Tilt auto programme 1
	33...58	Pan-Tilt auto programme 2
	59...84	Pan-Tilt auto programme 3
	85...110	Pan-Tilt auto programme 4
	111...136	Pan-Tilt auto programme 5
	137...162	Pan-Tilt auto programme 6
	163...188	Pan-Tilt auto programme 7
189...214	Pan-Tilt auto programme 8	

---

Channel	Value	Function
	215...240	Pan-Tilt auto programme 9
	241...255	Sound control Pan and Tilt

## 7.4 Functions in 16-channel DMX mode

Channel	Value	Function
1	0...255	Rotation (pan) (0° up to the maximum value of the Pan area. middle position: 128)
2	0...255	Fine adjustment rotation (pan) 16 bit
3	0...255	Inclination (tilt) (0° up to the maximum value of the Tilt area. middle position: 128)
4	0...255	Fine adjustment inclination (pan) 16 bit
5	0...255	Speed of rotation (pan) and inclination (tilt), fast (0) to slow (255)
6	0...255	Dimmer intensity from dark (0) to bright (255)

Channel	Value	Function
7	Shutter	
	0...4	Shutter closed
	5...250	Stroboscope, increasing speed (0 ... 20 Hz)
	251...255	Shutter open
8	0...4	Open (white)
	5...13	White, red
	14...22	Red
	23...31	Red, orange
	32...40	Orange
	41...49	Orange, green
	50...58	Green
	59...67	Green, blue
	68...76	Blue

Channel	Value	Function
	77...85	Blue, yellow
	86...94	Yellow
	95...103	Yellow, light blue
	104...112	Light blue
	113...121	Light blue, purple
	122...130	Purple
	131...139	Open (white)
	140...195	Rainbow effect, rotation clockwise, decreasing speed
	196...199	Stop rotation
	200...255	Rainbow effect, rotation counter-clockwise, increasing speed
9	0...5	Open (white)
	6...21	Gobo 1
	22...37	Gobo 2

Channel	Value	Function
	38...53	Gobo 3
	54...69	Gobo 4
	70...85	Gobo 5
	86...101	Gobo 6
	102...117	Gobo 7
	118...133	Gobo 8
	134...194	Rainbow effect, rotation clockwise, decreasing speed
	195...255	Rainbow effect, rotation counter-clockwise, increasing speed
10	0...7	Open (white)
	8...28	Gobo 1
	29...49	Gobo 2
	50...70	Gobo 3
	71...91	Gobo 4

Channel	Value	Function
	92...112	Gobo 5
	113...133	Gobo 6
	134...194	Rainbow effect, rotation clockwise, decreasing speed
	195...255	Rainbow effect, rotation counter-clockwise, increasing speed
11	0...9	Stop
	10...129	Gobo 2, rotation clockwise, decreasing speed
	130...134	Stop
	135...255	Gobo 2, rotation counter-clockwise, increasing speed
12	0...255	Focus
13	0...7	Open (white)
	8...134	Prism
	135...255	Prism, rotation clockwise, increasing speed
14	0...7	No function

Channel	Value	Function
	8...47	Preprogrammed automatic show 1
	48...87	Preprogrammed automatic show 2
	88...127	Preprogrammed automatic show 3
	128...167	Preprogrammed automatic show 4
	168...207	Preprogrammed automatic show 5
	208...247	Preprogrammed automatic show 6
	248...255	Sound control colour gobo
15	0...7	No function
	8...32	Pan-Tilt auto programme 1
	33...58	Pan-Tilt auto programme 2
	59...84	Pan-Tilt auto programme 3
	85...110	Pan-Tilt auto programme 4
	111...136	Pan-Tilt auto programme 5

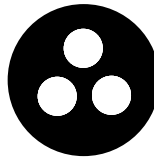


---

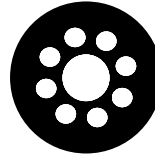
<b>Channel</b>	<b>Value</b>	<b>Function</b>
	137...162	Pan-Tilt auto programme 6
	163...188	Pan-Tilt auto programme 7
	189...214	Pan-Tilt auto programme 8
	215...240	Pan-Tilt auto programme 9
	241...255	Sound control Pan and Tilt
16	250...255	Reset (after 10 seconds)

## 7.5 Rotatable gobos

①



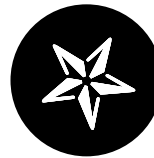
②



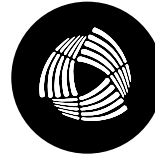
③



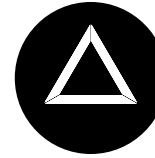
④



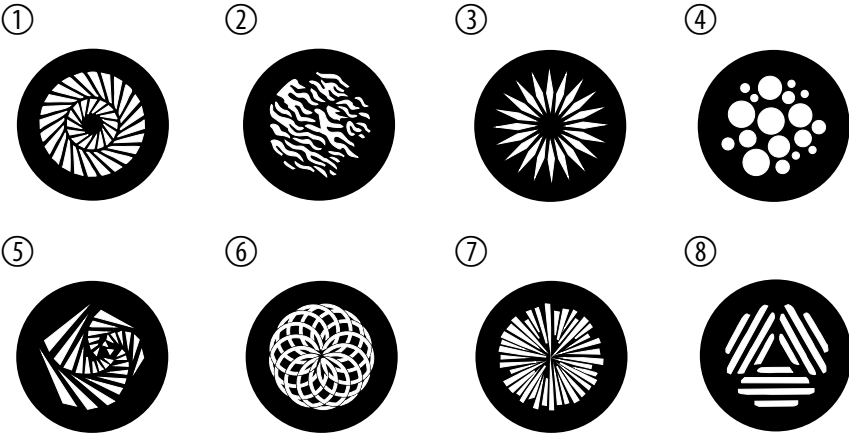
⑤



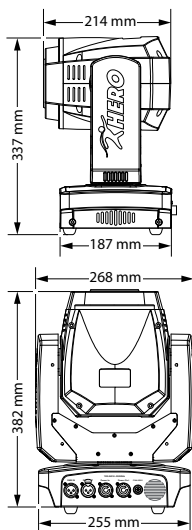
⑥



### 7.6 Static gobos



## 8 Technical specifications



Light source	1 × LED, 90 W	
Light source properties	Colour temperature	8000 K
	Colour rendering index	82.4
Optical properties	Beam angle	15 °
Rotation angle (pan), max.		540 °
Inclination angle (tilt), max.		230 °
Control protocol	DMX-512	
Control	DMX	
	Buttons and display on the unit	
	IR remote control (item no. 470388, optional)	
Number of DMX channels	6, 16	

Input connections	Power supply	Lockable input socket (Power Twist)
	DMX control	XLR chassis plug, 3-pin
Output connections	Power supply	Lockable output socket (Power Twist)
	DMX control	XLR chassis socket, 3-pin
Power consumption	120 W	
Supply voltage	100 - 240 V ~ 50/60 Hz	
Fuse	5 mm × 20 mm, 4 A, 250 V, fast-acting	
Degree of protection	IP20	
Battery remote control	Lithium button cell CR 2025, 3 V	
Mounting options	Hanging, standing	
Dimensions (W × H × D)	255 mm × 382 mm × 187 mm	
Weight	7.2 kg	

Device colour	Item no. 449224: Black	
	Item no. 481677: White	
Ambient conditions	Temperature range	0 °C...40 °C (32 °C...104 °F)
	Relative humidity	20 %...80 % (non-condensing)

### Further information

Illuminant type	LED
Rotating gobos	Yes
Static gobos	Yes
Motorized focus	Yes
Colour mixture	Colour wheel
Prism	Yes
Iris	No

Zoom	No
Number of colour wheels	1

## 9 Plug and connection assignments

### Introduction

This chapter will help you select the right cables and plugs to connect your valuable equipment so that a perfect light experience is guaranteed.

Please take our tips, because especially in 'Sound & Light' caution is indicated: Even if a plug fits into a socket, the result of an incorrect connection may be a destroyed DMX controller, a short circuit or 'just' a not working light show!

### DMX connections

The unit offers a 3-pin XLR socket for DMX output and a 3-pin XLR plug for DMX input. Please refer to the drawing and table below for the pin assignment of a suitable XLR plug.



Pin	Configuration
1	Ground, shielding
2	Signal inverted (DMX-, 'cold signal')
3	Signal (DMX+, 'hot signal')



## 10 Troubleshooting



### **NOTICE!**

#### **Possible data transmission errors**

For error-free operation make use of dedicated DMX cables and do not use ordinary microphone cables.

Never connect the DMX input or output to audio devices such as mixers or amplifiers.

In the following we list a few common problems that may occur during operation. We give you some suggestions for easy troubleshooting:

Symptom	Remedy
The unit does not work, no light, the fan does not run	Check the mains power connection and the main fuse.
No response to the DMX controller	<ol style="list-style-type: none"><li>1. The DMX indicator should light up. If it doesn't, check DMX connectors and cables for proper connection.</li><li>2. If the DMX indicator lights up but with no response, check the address settings and DMX polarity.</li><li>3. Try using another DMX controller.</li><li>4. Check whether the DMX cables lie near or adjacent to high voltage cables, which could cause damage or interference with a DMX interface circuit.</li></ol>

If the procedures recommended above do not succeed, please contact our Service Center. You can find the contact information at [www.thomann.de](http://www.thomann.de).

# 11 Cleaning

## Optical lenses

Clean the optical lenses, that are accessible from the outside, regularly in order to optimize the light output. The frequency of cleaning depends on the operating environment: wet, smoky or particularly dirty surroundings can cause more accumulation of dirt on the optics of the device.

- Clean with a soft cloth using our lamp and lens cleaner (item no. 280122).
- Always dry the parts carefully.

## Fan grids

The fan grids of the device must be cleaned of any contamination, such as dust, etc. on a regular basis. Before cleaning, switch off the device and disconnect mains-operated devices from the mains. Only use pH-neutral, solvent-free and non-abrasive cleaning agents. Clean the unit with a slightly damp lint-free cloth.

## 12 Protecting the environment

### Disposal of the packaging material



For the packaging, environmentally friendly materials have been chosen that can be supplied to normal recycling.

Ensure that plastic bags, packaging, etc. are properly disposed of.

Do not just dispose of these materials with your normal household waste, but make sure that they are collected for recycling. Please follow the notes and markings on the packaging.

### Disposal of batteries



Batteries must not be thrown away or incinerated; they must be disposed of in accordance with local regulations for the disposal of hazardous waste. Use the existing collection points for this.

Only dispose of lithium batteries when they are discharged. Remove replaceable lithium batteries from the device before disposal. Protect used lithium batteries against short circuits, for example by covering the poles with adhesive tape. Permanently built-in lithium batteries must be disposed of together with the device. Please inquire about an appropriate collection point.

### Disposal of your old device



This product is subject to the European Waste Electrical and Electronic Equipment Directive (WEEE) in its currently valid version. Do not dispose with your normal household waste.

Dispose of this device through an approved waste disposal firm or through your local waste facility. When discarding the device, comply with the rules and regulations that apply in your country. If in doubt, consult your local waste disposal facility.





