



Event Par IP65 4in1 14x8W,

Event Par IP65 4in1 14x8W WDMX

LED PAR

Musikhaus Thomann
Thomann GmbH
Hans-Thomann-Straße 1
96138 Burgebrach
Germany
Telephone: +49 (0) 9546 9223-0
E-mail: info@thomann.de
Internet: www.thomann.de

16.09.2019, ID: 452127_435626

Table of contents

1	General information	6
	1.1 Further information.....	7
	1.2 Notational conventions.....	8
	1.3 Symbols and signal words.....	9
2	Safety	12
3	Features	17
4	Installation	19
5	Starting up	23
6	Connections and controls	27
7	Operating	34
	7.1 Starting the device.....	34
	7.2 Main menu.....	34
	7.3 Menu overview.....	38
	7.4 Functions in 4-channel DMX mode.....	41
	7.5 Functions in 7-channel DMX mode.....	41

7.6	Functions in 9-channel DMX mode.....	43
7.7	Remote control.....	45
8	Technical specifications.....	48
9	Plug and connection assignments.....	51
10	Troubleshooting.....	52
11	Cleaning.....	54
12	Protecting the environment.....	55



Event Par IP65 4in1 14x8W, Event Par IP65 4in1 14x8W WDMX
LED PAR

1 General information

This user manual contains important information on the safe operation of the device. Read and follow all safety notes and all instructions. Save this manual for future reference. Make sure that it is available to all persons using this device. If you sell the device to another user, be sure that they also receive this manual.

Our products and user manuals are subject to a process of continuous development. We therefore reserve the right to make changes without notice. Please refer to the latest version of the user manual which is ready for download under www.thomann.de.

1.1 Further information

On our website (www.thomann.de) you will find lots of further information and details on the following points:

Download	This manual is also available as PDF file for you to download.
Keyword search	Use the search function in the electronic version to find the topics of interest for you quickly.
Online guides	Our online guides provide detailed information on technical basics and terms.
Personal consultation	For personal consultation please contact our technical hotline.
Service	If you have any problems with the device the customer service will gladly assist you.

1.2 Notational conventions

This manual uses the following notational conventions:

Letterings

The letterings for connectors and controls are marked by square brackets and italics.

Examples: *[VOLUME]* control, *[Mono]* button.

Displays

Texts and values displayed on the device are marked by quotation marks and italics.

Examples: *'24ch'*, *'OFF'*.

Instructions



The individual steps of an instruction are numbered consecutively. The result of a step is indented and highlighted by an arrow.




Example:

1. ▶ Switch on the device.
2. ▶ Press *[Auto]*.
 - ⇒ Automatic operation is started.
3. ▶ Switch off the device.

1.3 Symbols and signal words

In this section you will find an overview of the meaning of symbols and signal words that are used in this manual.

Signal word	Meaning
DANGER!	This combination of symbol and signal word indicates an immediate dangerous situation that will result in death or serious injury if it is not avoided.
WARNING!	This combination of symbol and signal word indicates a possible dangerous situation that can result in death or serious injury if it is not avoided.
NOTICE!	This combination of symbol and signal word indicates a possible dangerous situation that can result in material and environmental damage if it is not avoided.
Warning signs	Type of danger
	Warning – high-voltage.
	Warning – hot surface.

Warning signs	Type of danger
	<p>Warning – dangerous optical radiation.</p>
	<p>Warning – suspended load.</p>
	<p>Warning – danger zone.</p>

2 Safety

Intended use

This device is intended for use as an electronic lighting effect by means of LED technology. The device is designed for professional use and is not suitable for use in households. Use the device only as described in this user manual. Any other use or use under other operating conditions is considered to be improper and may result in personal injury or property damage. No liability will be assumed for damages resulting from improper use.

This device may be used only by persons with sufficient physical, sensorial, and intellectual abilities and having corresponding knowledge and experience. Other persons may use this device only if they are supervised or instructed by a person who is responsible for their safety.

Extend the life of the device by regular breaks in operation and avoid switching it on and off frequently. This device is not suitable for continuous use.

Safety**DANGER!****Danger for children**

Ensure that plastic bags, packaging, etc. are disposed of properly and are not within reach of babies and young children. Choking hazard!

Ensure that children do not detach any small parts (e.g. knobs or the like) from the unit. They could swallow the pieces and choke!

Never let children unattended use electrical devices.

**DANGER!****Electric shock caused by short-circuit**

Do not modify the mains cable or the plug. Failure to do so could result in electric shock/death or fire. If in doubt, seek advice from a registered electrician.



DANGER!

Electric shock caused by high voltages inside

Within the device there are areas where high voltages may be present. Never remove any covers.

There are no user-serviceable parts inside.

Do not use the device if covers, protectors or optical components are missing or damaged.



WARNING!

Eye damage caused by high light intensity

Never look directly into the light source.



WARNING!

Risk of epileptic shock

Strobe lighting can trigger seizures in photosensitive epilepsy. Sensitive persons should avoid looking at strobe lights.



WARNING!

Risk of burns

The surface of the device can become very hot during operation.

Do not touch the device with bare hands during operation, and after switching off wait for at least 15 minutes.



NOTICE!

Risk of fire

Do not block areas of ventilation. Do not install the device near any direct heat source. Keep the device away from naked flames.



NOTICE!

Power supply

Before connecting the device, ensure that the input voltage (AC outlet) matches the voltage rating of the device and that the AC outlet is protected by a residual current circuit breaker. Failure to do so could result in damage to the device and possibly injure the user.

Unplug the device before electrical storms occur and when it is unused for long periods of time to reduce the risk of electric shock or fire.

3 Features

Silent stage spotlight, ideal for use on stages and in noise-sensitive environments.

Special features of the device:

- 14 × 4in1-LEDs (RGBW, 8 W each)
- Control via DMX, buttons and display on the unit as well as via remote control (included)
- Built-in automatic show programmes
- Master / Slave operation
- Protection class IP65
- Sturdy double bracket for secure attachment to trusses or firm footing on the ground
- Rugged die-cast aluminium housing

Varytec Event Par IP65 4in1 14x8W WDMX also:

- Built-in wireless solution receiver module (G5) for wireless control
- W-DMX transmitter optionally available (item number 366876)

Information about protection class IP65

Equipment with protection class IP65 are dust-tight and completely protected against contact (first code number). They are also protected against splash water from any angle (second code digit). That is why this equipment can also be used outdoors. Event technology equipment is generally only designed for temporary use however (event lighting) and not for permanent use outdoors.

The specified protection class does not make a statement about the weather resistance of the equipment (resistance to changing ambient conditions as well as against the effects of sunlight and UV rays).

The seals and screw connections of the equipment must be checked regularly to ensure a fault-free operation. In cases of doubt, consult a specialist workshop in due time.

For technological reasons, the light output of LEDs decreases over their lifetime. This effect increases with higher operating temperature. You can extend the service life of the illuminants by providing adequate ventilation and operating the LEDs with the lowest possible brightness.

4 Installation

Unpack and check carefully there is no transportation damage before using the unit. Keep the equipment packaging. To fully protect the product against vibration, dust and moisture during transportation or storage use the original packaging or your own packaging material suitable for transport or storage, respectively.



WARNING!

Risk of injury caused by falling objects

Make sure that the installation complies with the standards and rules that apply in your country. Always secure the device with a secondary safety attachment, such as a safety cable or a safety chain.



NOTICE!

Risk of overheating

Always ensure sufficient ventilation.

The ambient temperature must not exceed the limits stated in the chapter Technical Specifications of the User Manual.



NOTICE!

Use of stands

When mounting the device onto a stand, ensure that the stand is in a safe and stable position and that the weight of the device does not exceed the maximum permissible load capacity of the stand.



NOTICE!

Possible data transmission errors

For error-free operation make use of dedicated DMX cables and do not use ordinary microphone cables.

Never connect the DMX input or output to audio devices such as mixers or amplifiers.



NOTICE!

Possible damage due to moisture

Moisture entering into open connectors (plugs and couplers) of DMX or power cords can cause short circuits.

Close unused connectors with end caps intended for this purpose (www.thomann.de).

Mounting options

You can install the unit in hanging or standing position. When in use, the device must always be attached to a solid surface or an approved truss. Use the openings provided on the two-piece bracket for attaching.

Always work from a stable platform whenever installing, moving or servicing the unit. In doing so, the area underneath the unit must be cordoned off.



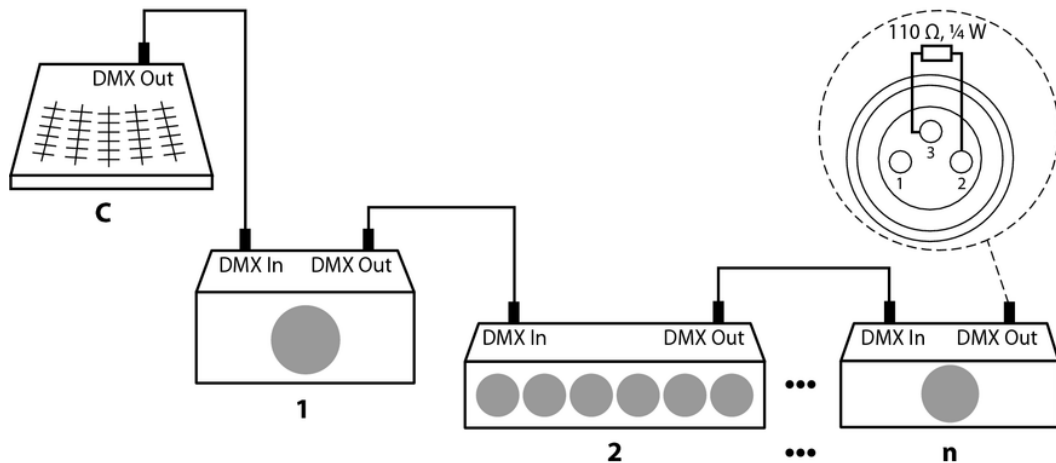
Please note that this device must not be connected to a dimmer.

5 Starting up

Create all connections while the device is off. Use the shortest possible high-quality cables for all connections. Take care when running the cables to prevent tripping hazards.

Connections in DMX mode

Connect the DMX input of the device to the DMX output of a DMX controller or another DMX device. Connect the output of the first DMX device to the input of the second one, and so on to form a daisy chain. Always ensure that the output of the last DMX device in the daisy chain is terminated with a resistor ($110\ \Omega$, $\frac{1}{4}\text{ W}$).



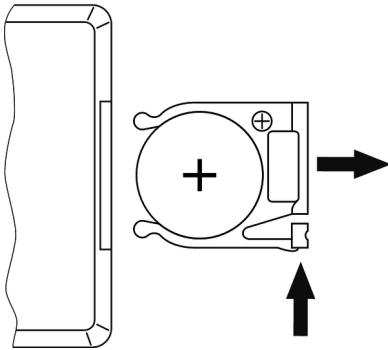
Connections in master/slave mode

When you configure a group of devices in master/slave mode, the first unit will control the other units for an automatic, sound-activated, synchronized show. This function is ideal when you want to start a show immediately. Connect the DMX output of the master device to the DMX input of the first slave device. Then connect the DMX output of the first slave device to the DMX input of the second slave device and so on.

Inserting the battery into the remote control

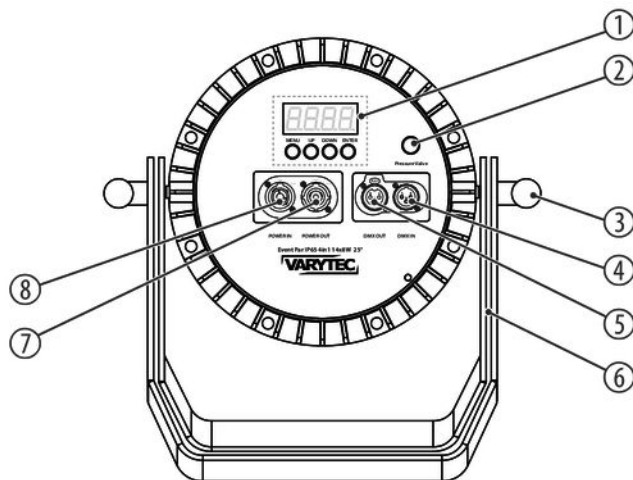
Press the lock of the battery holder to the centre of the housing and pull out the battery holder like a drawer. Insert the battery. The battery is correct if the positive pole points to the housing base of the remote control. Slide the battery holder back into the remote until it clicks into place.

When shipping, the battery is already installed in the remote and protected against discharge by a transparent plastic foil. Remove the plastic foil prior to first use.



6 Connections and controls

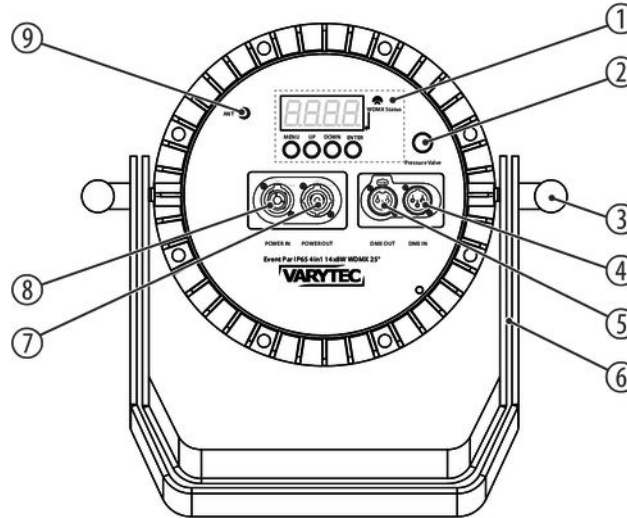
**Varytec Event Par IP65 4in1
14x8W (item number 435626)**



1	Display and keypad
	<i>[MENU]</i> Activates the main menu, changes between menu levels or closes a submenu.
	<i>[DOWN]</i> Decreases the displayed value by one.
	<i>[UP]</i> Increases the displayed value by one.
	<i>[ENTER]</i> Opens a submenu or confirms a value.
2	Pressure compensation element
3	Locking screws for the brackets.
4	<i>[DMX IN]</i> DMX input, designed as 3-pin XLR chassis-mounted plug (IP65)

5	<i>[DMX OUT]</i> DMX output, designed as 3-pin XLR chassis-mounted coupling (IP65)
6	Two-piece bracket for hanging or floor setup
7	<i>[POWER OUT]</i> Lockable output socket (Power Twist TR1 IP65) for the power supply of further devices
8	<i>[POWER IN]</i> Lockable input socket (Power Twist TR1 IP65) for powering the device

**Varytec Event Par IP65 4in1
14x8W WDMX (item number
452127)**



1	Display and keypad
	<i>[MENU]</i> Activates the main menu, changes between menu levels or closes a submenu.
	<i>[DOWN]</i> Decreases the displayed value by one.
	<i>[UP]</i> Increases the displayed value by one.
	<i>[ENTER]</i> Opens a submenu or confirms a value.
2	Pressure compensation element
3	Locking screws for the brackets.
4	<i>[DMX IN]</i> DMX input, designed as 3-pin XLR chassis-mounted plug (IP65)

5	<i>[DMX OUT]</i> DMX output, designed as 3-pin XLR chassis-mounted coupling (IP65)
6	Two-piece bracket for hanging or floor setup
7	<i>[POWER OUT]</i> Lockable output socket (Power Twist TR1 IP65) for the power supply of further devices
8	<i>[POWER IN]</i> Lockable input socket (Power Twist TR1 IP65) for powering the device
9	<i>[ANT]</i> Antenna for wireless control via W-DMX

7 Operating

7.1 Starting the device

Connect the device to the power supply to start operation. The display shows the current DMX address. The device is operational.

7.2 Main menu

Press *[MENU]* to activate the main menu. Use *[UP]* or *[DOWN]* to select a submenu or a value. When the display shows the desired submenu or value, press *[ENTER]* to open the submenu or to select the desired value. To close the main menu, press *[MENU]*.

All previously made settings are retained even when you disconnect the device from the power grid.

The following table shows the setting options.

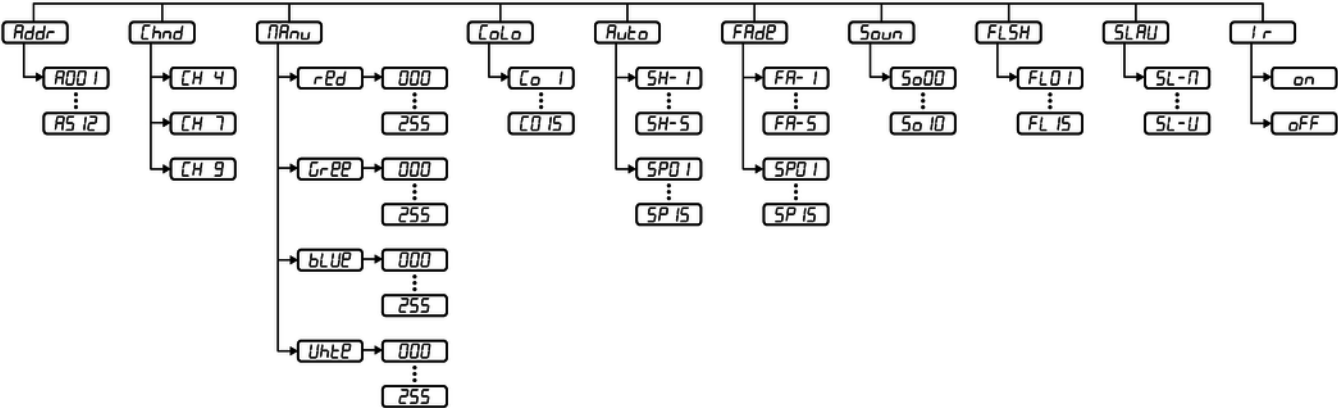
Display	Function
'Addr'	Sets a DMX address between between 1 and 512. Display: 'A001' ...- 'A512'
'Chnd'	Sets the channel modes in operating mode DMX. Display: 'CH4', 'CH7', 'CH9'
'MAnu'	Adjusts the intensity of the colours red, green, blue and white. Display: 'red', 'Gree', 'bLUe', 'Whte'
'CoLo'	Defines a default colour. Display: 'Co1' ... 'CO15'
'Auto'	Adjusts an effect. Display: 'SH-1' ... 'SH-5'
	Adjusts the effect speed. Display: 'SP01' ... 'SP05'

Display	Function
'FAde'	Adjusts the fader. Display: 'FA-1' ... 'FA-5'
	Adjusts the fader speed. Display: 'SP01' ... 'SP05'
'Soun'	Adjusts the microphone sensitivity for sound control. Display: 'So00' ... 'S010'
'FLSH'	Adjusts the strobe speed. Display: 'FL01' ... 'FL15'
'SLAU'	Enables / disables the slave mode. In slave mode, the device automatically follows the settings of the master device. Slave mode enabled: 'SL n' Slave mode disabled: SL u

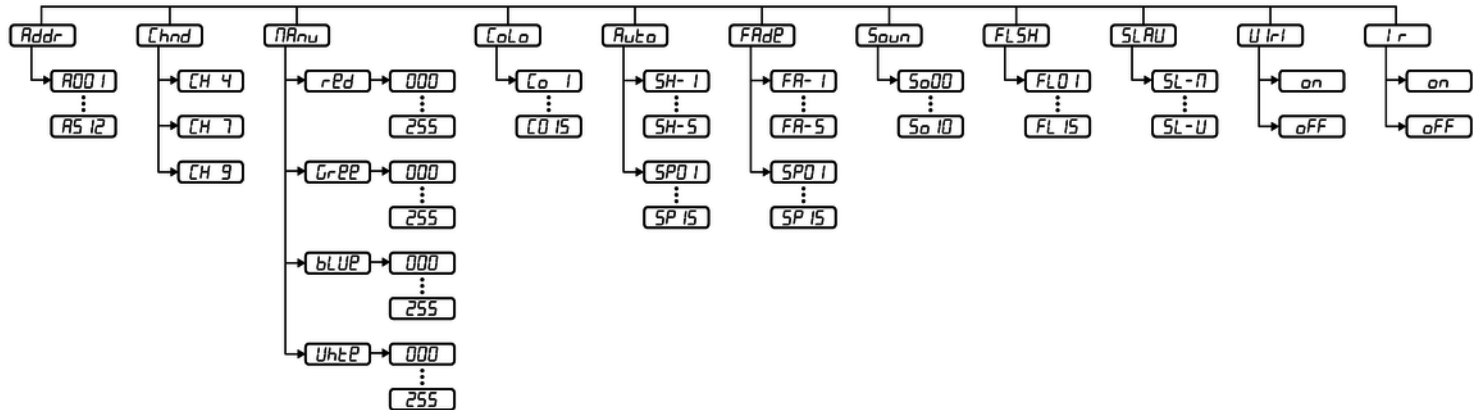
Display	Function
<i>'Ulr'</i>	Enables wireless control via WDMX (available only for Varytec Event Par IP65 4in1 14x8W WDMX). WDMX enabled: <i>'on'</i> WDMX disabled: off
<i>'lr'</i>	Enables or disables the remote control. Remote control enabled: <i>'on'</i> Remote control disabled: off

7.3 Menu overview

**Varytec Event Par IP65 4in1
14x8W (item number 435626)**



**Varytec Event Par IP65 4in1
14x8W WDMX (item number
452127)**



7.4 Functions in 4-channel DMX mode

Channel	Value	Function
1	0...255	Intensity red (0 % to 100 %)
2	0...255	Intensity green (0 % to 100 %)
3	0...255	Intensity blue (0 % to 100 %)
4	0...255	Intensity white (0 % to 100 %)

7.5 Functions in 7-channel DMX mode

Channel	Value	Function
1	0...255	Intensity red (0 % to 100 %)
2	0...255	Intensity green (0 % to 100 %)

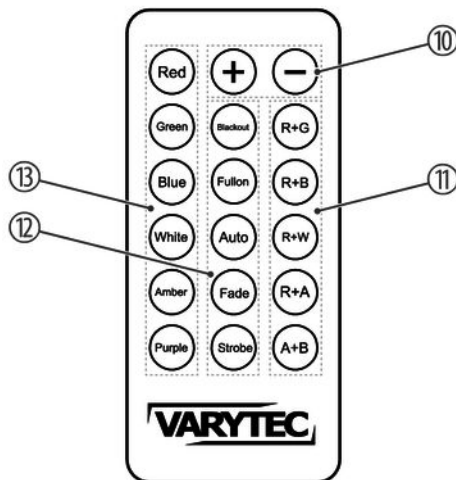
Channel	Value	Function
3	0...255	Intensity blue (0 % to 100 %)
4	0...255	Intensity white (0 % to 100 %)
5	0...255	Master dimmer (0 % bis 100 %)
6	0...10	open
	11...255	Strobe effect, increasing speed
7	0...10	Without function
	11...100	Colour change, increasing speed
	101...200	Colour change with cross-fade, increasing speed
	201...255	Sound control

7.6 Functions in 9-channel DMX mode

Channel	Value	Function
1	0...255	Intensity red (0 % to 100 %)
2	0...255	Intensity green (0 % to 100 %)
3	0...255	Intensity blue (0 % to 100 %)
4	0...255	Intensity white (0 % to 100 %)
5	0...255	Master dimmer (0 % bis 100 %)
6	0...10	open
	11...255	Strobe effect, increasing speed
7	0...10	Without function
	11...32	Colour change with 7 colours
	33...50	Colour change red orange
	51...68	Colour change with 15 colours

Channel	Value	Function
	69...86	Colour change with blackout, 4 colours
	87...100	Colour change with 15 colours
	101...200	Colour change with cross-fade, increasing speed
	201...255	Sound control
8	0...255	Colour change or fade programme speed if channel 7 = 11...200
9	0...14	No function
	15...255	Sound control, increasing sensitivity

7.7 Remote control



10 *[+], [-]*

Increases or decreases the value set.

11 *[R+G], [R+B], [R+W], [R+A], [A+B]*

Activates the default colour schemes red/green, red/blue, red/white, amber/blue.

12 *[BLACKOUT]*

Activates the blackout function and deactivates it again.

[FULLON]

Activates all colours.

[AUTO]

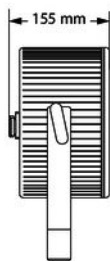
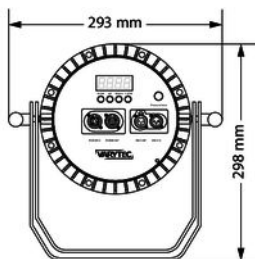
Starts / stops "Automatic" mode.

[FADE]

Activates the fader.

	<i>[STROBE]</i> Starts or stops the flashing light function (strobe effect) with the last colour selected.
13	<i>[Red], [Green], [Blue], [White], [Amber], [Purple]</i> Activates the colours red, green, blue, white, amber, purple.

8 Technical specifications



Item no.		435626	452127
Light source		14 × 4in1-RBGW-LED, 8 W each	
Optical properties	Beam angle	25°	
Control		DMX	DMX
			W-DMX
		IR remote control	IR remote control
Number of DMX channels		4, 7, 9	
Input connections	Voltage supply	Lockable Power Twist input socket TR1 IP65	
	DMX control	XLR chassis-mounted socket (IP65), 3-pin	
Output connections	Voltage supply	Lockable Power Twist output socket TR1 IP65	

Item no.		435626	452127
	DMX control	XLR chassis-mounted coupling (IP65), 3-pin	
Power consumption		112 W	
Supply voltage		100 – 240 V ~ 50/60 Hz	
Battery remote control	Battery type	Lithium button cell, 3 V, CR 2025	
Degree of protection		IP65	
Mounting options		Hanging, standing	
Dimensions (W × H × D)		293 mm × 298 mm × 155 mm	
Weight		4.8 kg	
Ambient conditions	Temperature range	0 °C...40 °C	
	Relative humidity	50 %, non-condensing	

Further information

Item no.	435626	452127
Design	Outdoor housing	Outdoor housing
Colour mixture	RGBW	RGBW
LED type	x-in-1	x-in-1
Base housing	Yes	Yes
Fanless	Yes	Yes
Remote control	Included	Included
Wireless DMX	No	Yes
Housing colour	Black	Black

9 Plug and connection assignments

Introduction

This chapter will help you select the right cables and plugs to connect your valuable equipment so that a perfect light experience is guaranteed.

Please take our tips, because especially in 'Sound & Light' caution is indicated: Even if a plug fits into a socket, the result of an incorrect connection may be a destroyed DMX controller, a short circuit or 'just' a not working light show!

DMX connections

The unit offers a 3-pin XLR socket for DMX output and a 3-pin XLR plug for DMX input. Please refer to the drawing and table below for the pin assignment of a suitable XLR plug.



Pin	Configuration
1	Ground, shielding
2	Signal inverted (DMX-, 'cold signal')
3	Signal (DMX+, 'hot signal')

10 Troubleshooting



NOTICE!

Possible data transmission errors

For error-free operation make use of dedicated DMX cables and do not use ordinary microphone cables.

Never connect the DMX input or output to audio devices such as mixers or amplifiers.

In the following we list a few common problems that may occur during operation. We give you some suggestions for easy troubleshooting:

Symptom	Remedy
The unit does not work, no light.	Check the mains connection and the fuse.
No response to the DMX controller.	1. Check the DMX ports and cables for proper connection.
	2. Check the address settings and the DMX polarity.
	3. Try using another DMX controller.
	4. Check to see if the DMX cables run near or alongside to high voltage cables that may cause damage or interference to DMX interface circuits.

If the procedures recommended above do not succeed, please contact our Service Center. You can find the contact information at www.thomann.de.

11 Cleaning

Optical lenses

Clean the optical lenses, that are accessible from the outside, regularly in order to optimize the light output. The frequency of cleaning depends on the operating environment: wet, smoky or particularly dirty surroundings can cause more accumulation of dirt on the optics of the device.

- Clean with a soft cloth using our lamp and lens cleaner (item no. 280122).
- Always dry the parts carefully.

12 Protecting the environment

Disposal of the packaging material



For the transport and protective packaging, environmentally friendly materials have been chosen that can be supplied to normal recycling.

Ensure that plastic bags, packaging, etc. are properly disposed of.

Do not just dispose these materials with your normal household waste, but make sure that they are fed to a recovery. Please follow the notes and markings on the packaging.

Disposal of batteries



Batteries must not be disposed of as domestic waste or thrown into fire. Dispose of the batteries according to national or local regulations regarding hazardous waste. To protect the environment, dispose of empty batteries at your retail store or at appropriate collection sites.

Disposal of your old device



This product is subject to the European Waste Electrical and Electronic Equipment Directive (WEEE) in its currently valid version. Do not dispose with your normal household waste.

Dispose this device through an approved waste disposal firm or through your local waste facility. When discarding the device, comply with the rules and regulations that apply in your country. If in doubt, consult your local waste disposal facility.

