



Typhoon True Kid 720Z RGBW IP65

LED Outdoor PAR

Thomann GmbH

Hans-Thomann-Straße 1

96138 Burgebrach

Germany

Telephone: +49 (0) 9546 9223-0

Internet: www.thomann.de

02.05.2023, ID: 470178 (V2)

Table of contents

1	General information.....	6
	1.1 Further information.....	7
	1.2 Notational conventions.....	7
	1.3 Symbols and signal words.....	8
2	Safety.....	10
3	Features.....	13
4	Installation.....	15
5	Starting up.....	18
6	Connections and controls.....	20
7	Operating.....	22
	7.1 Starting the device.....	22
	7.2 Main menu.....	22
	7.3 Menu overview.....	26
	7.4 Functions in 2-channel DMX mode.....	27
	7.5 Functions in 4-channel DMX mode.....	30
	7.6 Functions in 8-channel DMX mode.....	31
	7.7 Functions in 17-channel DMX mode.....	32
	7.8 Functions in 19-channel DMX mode.....	35
8	Technical specifications.....	42

9	Plug and connection assignment.....	44
10	Troubleshooting.....	45
11	Cleaning.....	47
12	Protecting the environment.....	48



Typhoon True Kid 720Z RGBW IP65
LED Outdoor PAR

1 General information

This user manual contains important information on the safe operation of the device. Read and follow all safety notes and all instructions. Save this manual for future reference. Make sure that it is available to all persons using this device. If you sell the device to another user, be sure that they also receive this manual.

Our products and user manuals are subject to a process of continuous development. We therefore reserve the right to make changes without notice. Please refer to the latest version of the user manual which is ready for download under www.thomann.de.

1.1 Further information

On our website (www.thomann.de) you will find lots of further information and details on the following points:

Download	This manual is also available as PDF file for you to download.
Keyword search	Use the search function in the electronic version to find the topics of interest for you quickly.
Online guides	Our online guides provide detailed information on technical basics and terms.
Personal consultation	For personal consultation please contact our technical hotline.
Service	If you have any problems with the device the customer service will gladly assist you.

1.2 Notational conventions

This manual uses the following notational conventions:

Letterings

The letterings for connectors and controls are marked by square brackets and italics.

Examples: *[VOLUME]* control, *[Mono]* button.

Displays






Texts and values displayed on the device are marked by quotation marks and italics.

Examples: '24ch', 'OFF'.

1.3 Symbols and signal words

In this section you will find an overview of the meaning of symbols and signal words that are used in this manual.

Signal word	Meaning
DANGER!	This combination of symbol and signal word indicates an immediate dangerous situation that will result in death or serious injury if it is not avoided.
WARNING!	This combination of symbol and signal word indicates a possible dangerous situation that can result in death or serious injury if it is not avoided.
NOTICE!	This combination of symbol and signal word indicates a possible dangerous situation that can result in material and environmental damage if it is not avoided.

Warning signs	Type of danger
	Warning – high-voltage.
	Warning – hot surface.
	Warning – dangerous optical radiation.
	Warning – suspended load.
	Warning – danger zone.

2 Safety

Intended use

This device is intended for use as an electronic lighting effect by means of LED technology. The device is designed for professional use only and is not suitable for use in households. Use the device only as described in this user manual. Any other use or use under other operating conditions is considered to be improper and may result in personal injury or property damage. No liability will be assumed for damages resulting from improper use.

This device may be used only by persons with sufficient physical, sensorial, and intellectual abilities and having corresponding knowledge and experience. Other persons may use this device only if they are supervised or instructed by a person who is responsible for their safety.



Extend the operating life of the device by regular breaks and by avoiding frequent switching on and off. The device is not suitable for continuous operation.

Safety



DANGER!

Risk of injury and choking hazard for children!

Children can suffocate on packaging material and small parts. Children can injure themselves when handling the device. Never allow children to play with the packaging material and the device. Always store packaging material out of the reach of babies and small children. Always dispose of packaging material properly when it is not in use. Never allow children to use the device without supervision. Keep small parts away from children and make sure that the device does not shed any small parts (such knobs) that children could play with.

**DANGER!****Danger to life due to electric current!**

A short circuit could lead to a fire hazard and risk of death. Do not modify the mains cable or the plug! In case of isolation damage, disconnect immediately the power supply and arrange repair. If in doubt, seek advice from a qualified electrician.

**DANGER!****Danger to life due to electric current!**

Within the device there are areas where high voltages may be present. Never remove any covers. There are no user-serviceable parts inside. Do not use the device when covers, safety equipment or optical components are missing or damaged.

**WARNING!****Eye damage caused by high light intensity**

Never look directly into the light source.

**WARNING!****Risk of epileptic shock**

Strobe lighting can trigger seizures in photosensitive epilepsy. Sensitive persons should avoid looking at strobe lights.

**WARNING!****Risk of burns**

The surface of the device can become very hot during operation. Do not touch the device with bare hands during operation, and after switching off wait for at least 15 minutes.

**NOTICE!****Risk of fire**

Do not block areas of ventilation. Do not install the device near any direct heat source. Keep the device away from naked flames.



NOTICE!

Power supply

Before connecting the device, ensure that the input voltage (AC outlet) matches the voltage rating of the device and that the AC outlet is protected by a residual current circuit breaker. Failure to do so could result in damage to the device and possibly injure the user. Unplug the device before electrical storms occur and when it is unused for long periods of time to reduce the risk of electric shock or fire.



NOTICE!

Fire hazard due to exceedance of the maximum current

The device can power other devices of identical construction. The current consumption of all other devices connected in series must not exceed the values indicated in the technical specifications. Otherwise you risk injuries and irreparable damages to the device. Only connect so many identical devices that the maximum current consumption is not exceeded. Ensure the sufficient dimensioning (wire cross section) of the power cables used for all devices connected in series.

3 Features

Thanks to flicker-free and noiseless operation, the Outdoor LED PAR with motorized zoom is ideal for professional lighting tasks for film and television.

Special features of the device:

- 7 × four-colour LEDs (RGBW, 20 W each)
- 42 mm PMMA lenses
- Control via DMX and via buttons and display on the device
- Built-in automatic show programmes
- Master / Slave operation
- Active power factor correction for increased efficiency
- Sturdy double bracket for secure attachment to trusses or firm footing on the ground
- Degree of protection IP65
- Temperature protection circuit for safe operation
- Safety glass screen
- Connectors for power supply and DMX control via splashproof lockable plugs and couplings
- Rugged die-cast aluminium housing

Information about protection class IP65

Equipment with protection class IP65 are dust-tight and completely protected against contact (first code number). They are also protected against splash water from any angle (second code digit). That is why this equipment can also be used outdoors. Event technology equipment is generally only designed for temporary use however (event lighting) and not for permanent use outdoors.

The specified protection class does not make a statement about the weather resistance of the equipment (resistance to changing ambient conditions as well as against the effects of sunlight and UV rays).

The seals and screw connections of the equipment must be checked regularly to ensure a fault-free operation. In cases of doubt, consult a specialist workshop in due time.

For technological reasons, the light output of LEDs decreases over their lifetime. This effect increases with higher operating temperature. You can extend the service life of the illuminants by providing adequate ventilation and operating the LEDs with the lowest possible brightness.

4 Installation

Unpack and check carefully there is no transportation damage before using the unit. Keep the equipment packaging. To fully protect the product against vibration, dust and moisture during transportation or storage use the original packaging or your own packaging material suitable for transport or storage, respectively.



WARNING!

Risk of injury caused by falling objects

Make sure that the installation complies with the standards and rules that apply in your country. Always secure the device with a secondary safety attachment, such as a safety cable or a safety chain.



NOTICE!

Risk of overheating

Always ensure sufficient ventilation.

The ambient temperature must not exceed the limits stated in the chapter Technical Specifications of the User Manual.



NOTICE!

Use of stands

When mounting the device onto a stand, ensure that the stand is in a safe and stable position and that the weight of the device does not exceed the maximum permissible load capacity of the stand.



NOTICE!

Possible data transmission errors

For error-free operation make use of dedicated DMX cables and do not use ordinary microphone cables.

Never connect the DMX input or output to audio devices such as mixers or amplifiers.



NOTICE!

Possible damage due to moisture

Moisture entering into open connectors (plugs and couplers) of DMX or power cords can cause short circuits.

Close unused connectors with end caps intended for this purpose (www.thomann.de).

Mounting options

You can install the unit in hanging or standing position. When in use, the device must always be attached to a solid surface or an approved truss. Use the openings provided on the two-piece bracket for attaching.

Always work from a stable platform whenever installing, moving or servicing the unit. In doing so, the area underneath the unit must be cordoned off.

The safety cable must be attached to the safety eyelet.



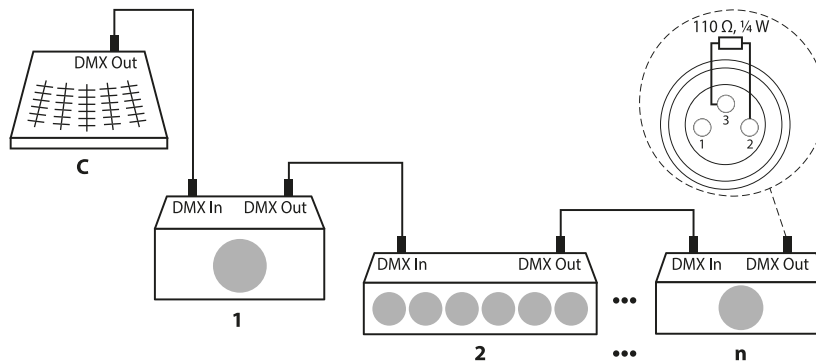
Please note that this device must not be connected to a dimmer.

5 Starting up

Create all connections while the device is off. Use the shortest possible high-quality cables for all connections. Take care when running the cables to prevent tripping hazards.

Connections in DMX mode

Connect the DMX input of the device to the DMX output of a DMX controller or another DMX device. Connect the output of the first DMX device to the input of the second one, and so on to form a daisy chain. Always ensure that the output of the last DMX device in the daisy chain is terminated with a resistor ($110\ \Omega$, $\frac{1}{4}\ \text{W}$).

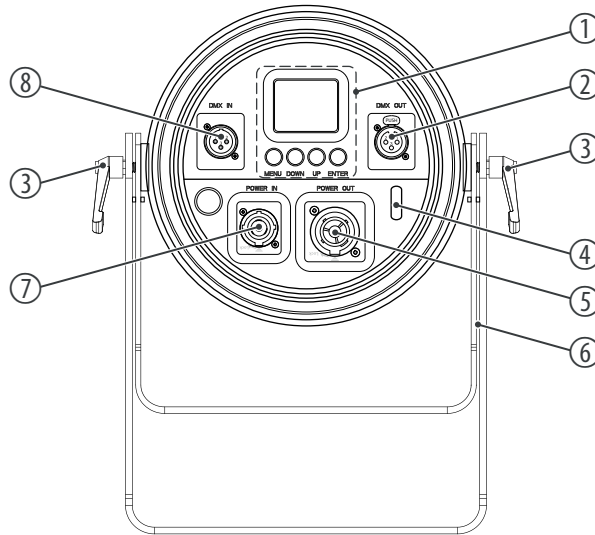


Connections in 'Master / Slave' mode

When you configure a group of devices in 'Master / Slave' mode, the first unit will control the others. This feature is especially useful to start a show without much programming. Connect the DMX output of the master unit to the DMX input of the first slave unit. Then connect the DMX output of the first slave unit to the DMX input of the second slave unit and so on.

6 Connections and controls

Rear panel



1 Display and keypad

The header displays the current operating mode, for example 'DMX' or 'SLAVE'. The dot-shaped DMX indicator lights green when a DMX signal is received and red when transmission is interrupted. The display shows the current device temperature top right. If the maximum permissible temperature is exceeded, the text appears in yellow.

In the middle of the display are selected menus and set values.

In the status bar at the bottom of the display, the message on the key lock appears. 'Key lock open' means that the key lock function is off. 'Key lock open' means that the key lock function is on.

[MENU]	Activates the main menu and toggles between menu items.
--------	---

[DOWN]	Decreases the displayed value by one.
--------	---------------------------------------

[UP]	Increases the displayed value by one.
------	---------------------------------------

[ENTER]	Selects an option of the respective operating mode.
---------	---

2 [DMX OUT]	DMX output
-------------	------------

3 Locking screws for the brackets.

4 Safety cable eyelet.

5 [POWER OUT]	Connection supply voltage outgoing (Power Twist IP65)
---------------	---

6 Two-piece bracket for hanging or installation and for securing the safety cable

7 [POWER IN]	Connection supply voltage incoming (Power Twist IP65)
--------------	---

8 [DMX IN]	DMX input
------------	-----------

7 Operating

7.1 Starting the device

Connect the device to the power supply to start operation. After a few seconds, the display indicates that a reset is in progress. The device is then ready for use. The display shows the operating mode that was selected when the unit was last powered off.

7.2 Main menu

Press *[ENTER]* to activate the main menu. Use the buttons *[UP]* and *[DOWN]* to select a submenu. When the display shows the desired submenu, press *[ENTER]* to open it up. Use *[UP]* or *[DOWN]* to select a value or a setting. Confirm the desired value or setting with *[ENTER]*. To close the main menu, press *[MODE]*.

All previously made settings are retained even when you disconnect the device from the power grid.

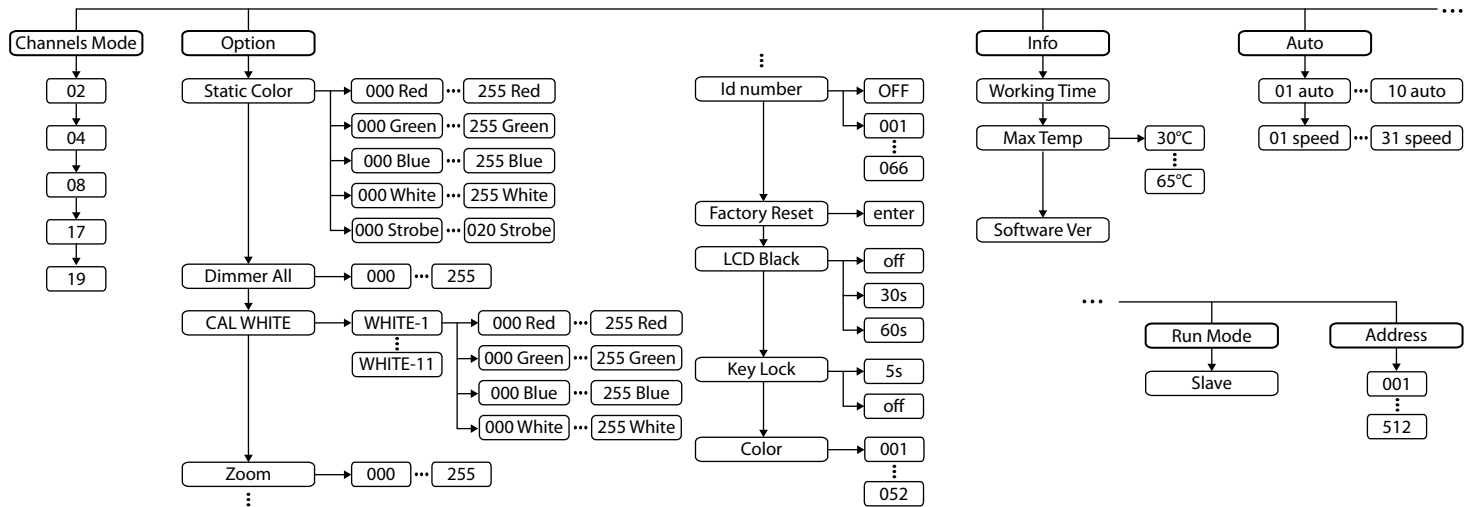
The following table shows the setting options.

Main menu	Menu level 2	Menu level 3	Menu level 4	Meaning
'Address'	'001' ... 'ADDRESS 512'			Setting the DMX address
'Run Mode'	'Slave'			Operating mode 'Slave'
'Auto'	Preprogrammed automatic show			
	'Speed'	'01' ... '31'		Speed of a preprogrammed automatic show
	'Auto'	'01' ... '10'		Selecting a preprogrammed automatic show
'Info'	'Working Time'			Display of operating hours
	'Max Temp'	'30° C' ... '65° C'		Display of maximum operating temperature
	'Software Ver'			Display of software version
'Option'	'Colour'	'001' ... '052'		Setting a colour
	'Key Lock'	'5s'		Key lock is activated after 5 seconds. To unlock the keys, press successively [DOWN] [UP] [DOWN] [UP].
		'off'		Key lock is off
	'LCD Black'	'off'		Automatic display shutdown when not in use disabled

Main menu	Menu level 2	Menu level 3	Menu level 4	Meaning
		'30s'		Automatic display shutdown when not in use after 30 seconds
		'60s'		Automatic display shutdown when not in use after 60 seconds
	'Factory Reset'	[Enter]		Reset to factory defaults. Press [ENTER] to start a reset.
	'ID number'	Setting an individual device ID. This allows groups of devices with the same DMX address to be controlled individually via DMX channel 16.		
		'OFF'		No ID assigned
		'001' ... '066'		Individual device ID
	'Zoom'	'000' ... '255'		Setting the zoom
	'CAL WHITE'	White balance		
		'WHITE-1' ... 'WHITE-11'		Selection of white tone to be set
			'000 Red' ... '255 Red'	Amount red (0 % to 100 %)
			'000 Green' ... '255 Green'	Amount green (0 % to 100 %)
			'000 Blue' ... '255 Blue'	Amount blue (0 % to 100 %)

Main menu	Menu level 2	Menu level 3	Menu level 4	Meaning
			'000 White' ... '255 White'	Amount white (0 % to 100 %)
	'Dimmer All'	'000' ... '255'		Maximum overall brightness (0 % to 100 %)
	'Static Color'	'000 Red' ... '255 Red'		Amount red (0 % to 100 %)
		'000 Green' ... '255 Green'		Amount green (0 % to 100 %)
		'000 Blue' ... '255 Blue'		Amount blue (0 % to 100 %)
		'000 White' ... '255 White'		Amount white (0 % to 100 %)
		'000 Strobe' ... '020 Strobe'		Stroboscope effect with increasing speed
'Channels Mode'	Selecting a DMX mode			
	'CHANNEL 02'			2-channel DMX mode
	'CHANNEL 04'			4-channel DMX mode
	'CHANNEL 08'			08-channel DMX mode
	'CHANNEL 17'			17-channel DMX mode
	'CHANNEL 19'			19-channel DMX mode

7.3 Menu overview



7.4 Functions in 2-channel DMX mode

Channel	Value	Function
1	Colour selection	
	0...9	None
	10...13	Red
	14...17	Green
	18...21	Blue
	22...25	Yellow
	26...29	Cyan
	30...33	Magenta
	34...37	White
	38...41	Orange
	42...45	Pink
	46...49	Purple
	50...53	Aquamarine
54...57	Sky-blue	

Channel	Value	Function
	58...61	White
	62...65	Cold white
	66...69	Warm white
	70...73	White 3200
	74...77	White 2500
	78...81	Yellow 2
	82...85	Straw
	86...89	Orange 2
	90...93	Light pink
	94...97	Dark pink
	98...101	Magenta 2
	102...105	Blue 2
	106...109	Medium teal
	110...113	Dark blue
	114...117	Bright pink
	118...121	Medium blue

Channel	Value	Function
	122...125	Golden amber
	126...129	Deep golden amber
	130...133	Bright lavender
	134...137	Apricot
	138...141	Dark lavender
	142...145	Chocolate
	146...149	Simple blue
	150...153	Bright Pink
	154...157	Scarlet
	158...161	Peach-coloured
	162...165	Fire
	166...169	English pink
	170...173	Mauve
	174...177	Beaming blue
	178...181	Alice blue
	182...185	Indigo rosé

Channel	Value	Function
	186...189	Urban blue
	190...193	Cold blue
	194...197	Light salmon-coloured
	198...201	Maya Sun
	202...205	Cherry rosé
	206...209	Flesh-coloured
	210...213	Skeleton Exotic Sangria
	214...255	RGBW
2	0...255	Zoom (0 % to 100 %)

7.5 Functions in 4-channel DMX mode

Channel	Value	Function
1	0...255	Saturation (0 % to 100 %)
2	0...255	Brightness (0 % to 100 %)

Channel	Value	Function
3	0...255	Hue (0 % to 100 %)
4	0...255	Zoom (0 % to 100 %)

7.6 Functions in 8-channel DMX mode

Channel	Value	Function
1	0...255	Brightness (0 % to 100 %)
2	0...255	Intensity red (0 % to 100 %)
3	0...255	Intensity green (0 % to 100 %)
4	0...255	Intensity blue (0 % to 100 %)
5	0...255	Intensity white (0 % to 100 %)
6	Strobe effect	
	0...8	Open, no stroboscope effect
	9...255	Stroboscope effect, increasing speed

Channel	Value	Function
7	0...255	Zoom (0 % to 100 %)
8	0...255	Motor speed (0 % to 100 %)

7.7 Functions in 17-channel DMX mode

Channel	Value	Function
1	0...255	Brightness (0 % to 100 %)
2	0...255	None
3	0...255	Intensity red (0 % to 100 %)
4	0...255	Intensity red fine (0 % to 100 %)
5	0...255	Intensity green (0 % to 100 %)
6	0...255	Intensity green fine (0 % to 100 %)
7	0...255	Intensity blue (0 % to 100 %)
8	0...255	Intensity blue fine (0 % to 100 %)
9	0...255	Intensity white (0 % to 100 %)

Channel	Value	Function
10	0...255	Intensity white fine (0 % to 100 %)
11	Dimmer curves with afterglow effect	
	0...49	Standard
	50...99	Dimmer mode 1 (slight afterglow)
	100...149	Dimmer mode 2
	150...199	Dimmer mode 3
	200...255	Dimmer mode 4 (strong afterglow)
12	Strobe effect	
	0...8	Open, no stroboscope effect
	9...255	Stroboscope effect, increasing speed
13	0...255	Zoom (0 % to 100 %)
14	0...255	Motor speed (0 % to 100 %)
15	Automatic shows	
	0...7	Standard
	8...10	Programme 1
	11...20	Programme 2

Channel	Value	Function
	21...30	Programme 3
	31...40	Programme 4
	41...50	Programme 5
	51...60	Programme 6
	61...70	Programme 7
	71...80	Programme 8
	81...90	Programme 9
	91...100	Programme 10
	101...109	Programme 11
	110...255	None
16	0...255	Auto programme running speed
17	0...200	No function
	201...220	Motor Reset
	221...255	No function

7.8 Functions in 19-channel DMX mode

Channel	Value	Function
1	0...255	Brightness (0 % to 100 %)
2	0...255	None
3	0...255	Intensity red (0 % to 100 %)
4	0...255	Intensity red fine (0 % to 100 %)
5	0...255	Intensity green (0 % to 100 %)
6	0...255	Intensity green fine (0 % to 100 %)
7	0...255	Intensity blue (0 % to 100 %)
8	0...255	Intensity blue fine (0 % to 100 %)
9	0...255	Intensity white (0 % to 100 %)
10	0...255	Intensity white fine (0 % to 100 %)
11	Dimmer curves with afterglow effect	
	0...49	Standard
	50...99	Dimmer mode 1 (slight afterglow)
	100...149	Dimmer mode 2

Channel	Value	Function
	150...199	Dimmer mode 3
	200...255	Dimmer mode 4 (strong afterglow)
12	0...255	Colour macros 36 colours
13	Strobe effect	
	0...8	Open, no stroboscope effect
	9...255	Stroboscope effect, increasing speed
14	0...255	Zoom (0 % to 100 %)
15	0...255	Motor speed (0 % to 100 %)
16	Device ID	
	0...9	all IDs
	10...19	ID1
	20...29	ID2
	30...39	ID3
	40...49	ID4
	50...59	ID5
	60...69	ID6

Channel	Value	Function
	70...79	ID7
	80...89	ID8
	90...99	ID9
	100...109	ID10
	110...119	ID11
	120...129	ID12
	130...139	ID13
	140...149	ID14
	150...159	ID15
	160...169	ID16
	170...179	ID17
	180...189	ID18
	190...199	ID19
	200...209	ID20
	210	ID21
	211	ID22

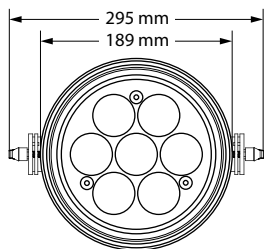
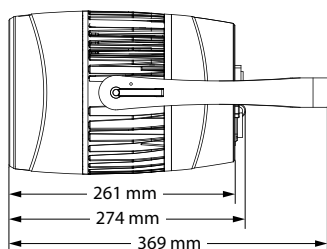
Channel	Value	Function
	212	ID23
	213	ID24
	214	ID25
	215	ID26
	216	ID27
	217	ID28
	218	ID29
	219	ID30
	220	ID31
	221	ID32
	222	ID33
	223	ID34
	224	ID35
	225	ID36
	226	ID37
	227	ID38

Channel	Value	Function
	228	ID39
	229	ID40
	230	ID41
	231	ID42
	232	ID43
	233	ID44
	234	ID45
	235	ID46
	236	ID47
	237	ID48
	238	ID49
	239	ID50
	240	ID51
	241	ID52
	242	ID53
	243	ID54

Channel	Value	Function
	244	ID55
	245	ID56
	246	ID57
	247	ID58
	248	ID59
	249	ID60
	250	ID61
	251	ID62
	252	ID63
	253	ID64
	254	ID65
	255	ID66
17	Automatic shows	
	0...7	Standard
	8...10	Programme 1
	11...20	Programme 2

Channel	Value	Function
	21...30	Programme 3
	31...40	Programme 4
	41...50	Programme 5
	51...60	Programme 6
	61...70	Programme 7
	71...80	Programme 8
	81...90	Programme 9
	91...100	Programme 10
	101...109	Programme 11
	110...255	None
18	0...255	Auto programme running speed
19	0...200	No function
	201...220	Motor Reset
	221...255	No function

8 Technical specifications



Light source	7 × 4-in-1 LEDs (RGBW), each 20 W	
Light source properties	Light output at 2 m/8°	27 700 lux
	Light output at 2 m/50°	1380 lux
Optical properties	Beam angle	8°...50°
	Control	DMX Buttons and display on the unit
Number of DMX channels	2, 4, 8, 17, 19	
Input connections	Power supply	Lockable input socket Power Twist TR1 IP65
	DMX control	XLR chassis plug, 5-pin
Output connections	Power supply	Lockable output socket Power Twist TR1 IP65
	DMX control	XLR chassis socket, 5-pin
Power consumption	150 W	
Supply voltage	100 - 240 V ~ 50/60 Hz	
Degree of protection	IP65	

Mounting options	Hanging, standing	
Dimensions (W × H × D), with bracket	295 mm × 189 mm × 369 mm	
Weight	5.0 kg	
Ambient conditions	Temperature range	0 °C...40 °C
	Relative humidity	20 %...80 % (non-condensing)

Further information

Design	Outdoor housing
LED type	x-in-1
Base housing	yes
Fanless	yes
Remote control	not possible
Wireless DMX	no
Housing colour	black

9 Plug and connection assignment

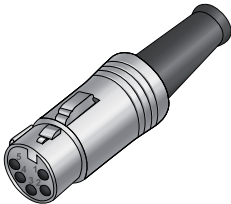
Introduction

This chapter will help you select the right cables and plugs to connect your valuable equipment so that a perfect light experience is guaranteed.

Please take our tips, because especially in 'Sound & Light' caution is indicated: Even if a plug fits into a socket, the result of an incorrect connection may be a destroyed DMX controller, a short circuit or 'just' a not working light show!

DMX connections

A five-pin XLR socket serves as DMX output, a five-pin XLR plug serves as DMX input. The drawing below and the table show the pin assignment of a matching coupling.



Pin	Assignment
1	Ground (shielding)
2	Signal inverted (DMX-, 'cold')
3	Signal (DMX+, 'hot')
4	unused / second connection (DMX-)
5	unused / second connection (DMX+)

10 Troubleshooting



NOTICE!

Possible data transmission errors

For error-free operation make use of dedicated DMX cables and do not use ordinary microphone cables.

Never connect the DMX input or output to audio devices such as mixers or amplifiers.

In the following we list a few common problems that may occur during operation. We give you some suggestions for easy troubleshooting:

Symptom	Remedy
The unit does not work, no light.	Check the mains connection and the fuse.
No response to the DMX controller.	1. Check the DMX ports and cables for proper connection.
	2. Check the address settings and the DMX polarity.
	3. Try using another DMX controller.
	4. Check to see if the DMX cables run near or alongside to high voltage cables that may cause damage or interference to DMX interface circuits.

If the procedures recommended above do not succeed, please contact our Service Center. You can find the contact information at www.thomann.de.

11 Cleaning

Optical lenses

Clean the optical lenses, that are accessible from the outside, regularly in order to optimize the light output. The frequency of cleaning depends on the operating environment: wet, smoky or particularly dirty surroundings can cause more accumulation of dirt on the optics of the device.

- Clean with a soft cloth using our lamp and lens cleaner (item no. 280122).
- Always dry the parts carefully.

12 Protecting the environment

Disposal of the packaging material



For the transport and protective packaging, environmentally friendly materials have been chosen that can be supplied to normal recycling.

Ensure that plastic bags, packaging, etc. are properly disposed of.

Do not just dispose of these materials with your normal household waste, but make sure that they are collected for recycling. Please follow the notes and markings on the packaging.

Disposal of your old device



This product is subject to the European Waste Electrical and Electronic Equipment Directive (WEEE) in its currently valid version. Do not dispose with your normal household waste.

Dispose of this device through an approved waste disposal firm or through your local waste facility. When discarding the device, comply with the rules and regulations that apply in your country. If in doubt, consult your local waste disposal facility.

