

ignition

2bright Pint TW200 IP MK II

LED PAR

Thomann GmbH  
Hans-Thomann-Straße 1  
96138 Burgebrach  
Germany  
Telephone: +49 (0) 9546 9223-0  
Internet: [www.thomann.de](http://www.thomann.de)

25.04.2023, ID: 556156

# Table of contents

<b>1</b>	<b>General information</b> .....	<b>6</b>
	1.1 Further information.....	7
	1.2 Notational conventions.....	7
	1.3 Symbols and signal words.....	9
<b>2</b>	<b>Safety instructions</b> .....	<b>11</b>
<b>3</b>	<b>Features</b> .....	<b>14</b>
<b>4</b>	<b>Installation</b> .....	<b>16</b>
<b>5</b>	<b>Starting up</b> .....	<b>19</b>
<b>6</b>	<b>Connections and controls</b> .....	<b>20</b>
<b>7</b>	<b>Operating</b> .....	<b>22</b>
	7.1 Starting the device.....	22
	7.2 Operating on the unit.....	22
	7.3 Menu overview.....	39
	7.4 Functions in 1-channel DMX mode.....	40
	7.5 Functions in 2-channel DMX mode, variant A.....	40
	7.6 Functions in 2-channel DMX mode, variant B.....	41
	7.7 Functions in 3-channel DMX mode.....	41
	7.8 Functions in 4-channel DMX mode.....	42
	7.9 Functions in 5-channel DMX mode.....	43

	7.10 Functions in 8-channel DMX mode.....	47
<b>8</b>	<b>Technical specifications.....</b>	<b>52</b>
<b>9</b>	<b>Plug and connection assignments.....</b>	<b>55</b>
<b>10</b>	<b>Troubleshooting.....</b>	<b>56</b>
<b>11</b>	<b>Cleaning.....</b>	<b>58</b>
<b>12</b>	<b>Protecting the environment.....</b>	<b>59</b>



2bright Pint TW200 IP MK II  
LED PAR

# 1 General information

This user manual contains important information on the safe operation of the device. Read and follow all safety notes and all instructions. Save this manual for future reference. Make sure that it is available to all persons using this device. If you sell the device to another user, be sure that they also receive this manual.

Our products and user manuals are subject to a process of continuous development. We therefore reserve the right to make changes without notice. Please refer to the latest version of the user manual which is ready for download under [www.thomann.de](http://www.thomann.de).

## 1.1 Further information

On our website ([www.thomann.de](http://www.thomann.de)) you will find lots of further information and details on the following points:

Download	This manual is also available as PDF file for you to download.
Keyword search	Use the search function in the electronic version to find the topics of interest for you quickly.
Online guides	Our online guides provide detailed information on technical basics and terms.
Personal consultation	For personal consultation please contact our technical hotline.
Service	If you have any problems with the device the customer service will gladly assist you.

## 1.2 Notational conventions

This manual uses the following notational conventions:

### Letterings

The letterings for connectors and controls are marked by square brackets and italics.

**Examples:** *[VOLUME]* control, *[Mono]* button.

### Displays

Texts and values displayed on the device are marked by quotation marks and italics.

**Examples:** '24ch', 'OFF'.

### Text input

Text inputs that are carried out on the device are indicated by typewriter font.

**Example:** 2323

### Instructions

The individual steps of an instruction are numbered consecutively. The result of a step is indented and highlighted by an arrow.



**Example:**




1. ▶ Switch on the device.
2. ▶ Press *[Auto]*.
  - ⇒ Automatic operation is started.
3. ▶ Switch off the device.



## 1.3 Symbols and signal words

In this section you will find an overview of the meaning of symbols and signal words that are used in this manual.

Signal word	Meaning
<b>DANGER!</b>	This combination of symbol and signal word indicates an immediate dangerous situation that will result in death or serious injury if it is not avoided.
<b>WARNING!</b>	This combination of symbol and signal word indicates a possible dangerous situation that can result in death or serious injury if it is not avoided.
<b>NOTICE!</b>	This combination of symbol and signal word indicates a possible dangerous situation that can result in material and environmental damage if it is not avoided.
Warning signs	Type of danger
	Warning – high-voltage.
	Warning – hot surface.

Warning signs	Type of danger
 A yellow triangular warning sign with a black border, containing a black sunburst symbol with a central dot, representing dangerous optical radiation.	Warning – dangerous optical radiation.
 A yellow triangular warning sign with a black border, containing a black silhouette of a crane hook lifting a rectangular load, representing a suspended load.	Warning – suspended load.
 A yellow triangular warning sign with a black border, containing a black exclamation mark, representing a general danger zone.	Warning – danger zone.

## 2 Safety instructions

### Intended use

This device is intended for use as an electronic lighting effect by means of LED technology. The device is designed for professional use only and is not suitable for use in households. Use the device only as described in this user manual. Any other use or use under other operating conditions is considered to be improper and may result in personal injury or property damage. No liability will be assumed for damages resulting from improper use.

This device may be used only by persons with sufficient physical, sensorial, and intellectual abilities and having corresponding knowledge and experience. Other persons may use this device only if they are supervised or instructed by a person who is responsible for their safety.



*Extend the operating life of the device by regular breaks and by avoiding frequent switching on and off. The device is not suitable for continuous operation.*

### Safety



#### **DANGER!**

#### **Risk of injury and choking hazard for children!**

Children can suffocate on packaging material and small parts. Children can injure themselves when handling the device. Never allow children to play with the packaging material and the device. Always store packaging material out of the reach of babies and small children. Always dispose of packaging material properly when it is not in use. Never allow children to use the device without supervision. Keep small parts away from children and make sure that the device does not shed any small parts (such knobs) that children could play with.



**DANGER!**

**Risk of death from electrical current!**

A short circuit can cause fires and loss of life. Always use properly insulated, tripe-core mains cable. Do not modify the mains cable. If the insulation is damaged, immediately switch off the power supply and have it repaired. If in doubt, contact a qualified electrician.



**DANGER!**

**Danger to life due to electric current!**

Within the device there are areas where high voltages may be present. Never remove any covers. There are no user-serviceable parts inside. Do not use the device when covers, safety equipment or optical components are missing or damaged.



**WARNING!**

**Eye damage caused by high light intensity**

Never look directly into the light source.



**WARNING!**

**Risk of epileptic shock**

Strobe lighting can trigger seizures in photosensitive epilepsy. Sensitive persons should avoid looking at strobe lights.



**WARNING!**

**Risk of burns**

The surface of the device can become very hot during operation. Do not touch the device with bare hands during operation, and after switching off wait for at least 15 minutes.



**WARNING!**

**Risk of injury caused by falling objects**

Make sure that the installation complies with the standards and rules that apply in your country. Always secure the device with a secondary safety attachment, such as a safety cable or a safety chain. Secure the barn door with a safety cable on the spotlight after installation. The safety cable must run outside the barn door and must not interfere with the light emission.



**NOTICE!**

**Risk of fire**

Do not block areas of ventilation. Do not install the device near any direct heat source. Keep the device away from naked flames.



**NOTICE!**

**Risk of fire and overheating**

The use with closed barn doors can cause fire or overheating in the spotlight. The lifetime of the LEDs will be reduced when using the device with closed barn doors. Otherwise, the integrated thermostat causes a thermally reasonable shutdown. Use the device only with open barn doors.



**NOTICE!**

**Power supply**

Before connecting the device, ensure that the input voltage (AC outlet) matches the voltage rating of the device and that the AC outlet is protected by a residual current circuit breaker. Failure to do so could result in damage to the device and possibly injure the user. Unplug the device before electrical storms occur and when it is unused for long periods of time to reduce the risk of electric shock or fire.



**NOTICE!**

**Fire hazard due to exceedance of the maximum current**

The device can power other devices of identical construction. The current consumption of all other devices connected in series must not exceed the values indicated in the technical specifications. Otherwise you risk injuries and irreparable damages to the device. Only connect so many identical devices that the maximum current consumption is not exceeded. Ensure the sufficient dimensioning (wire cross section) of the power cables used for all devices connected in series.

### 3 Features

The device is suitable as a blinder, strobe and floodlight for stages and all kinds of events.

Special features of the device:

- 1 × 2in1 WW/CW COB LED (200 watt)
- Adjustable colour temperature from 2700 to 7000 K
- Control via DMX, RDM and via buttons and display on the unit
- Blinder channel for halogen effect
- Intense pulse and strobe effects
- Selectable dimmer curves and dimmer speeds
- Adjustable LED repetition rates from 900 to 10.000 Hz
- Fan control with "Silent mode"
- Double bracket with omega bracket
- Degree of protection IP65
- Optional barn door (item no. 490514) and 6-in-1 case (item no. 505511)

#### **Information about protection class IP65**

Equipment with protection class IP65 are dust-tight and completely protected against contact (first code number). They are also protected against splash water from any angle (second code digit). That is why this equipment can also be used outdoors. Event technology equipment is generally only designed for temporary use however (event lighting) and not for permanent use outdoors.

The specified protection class does not make a statement about the weather resistance of the equipment (resistance to changing ambient conditions as well as against the effects of sunlight and UV rays).

The seals and screw connections of the equipment must be checked regularly to ensure a fault-free operation. In cases of doubt, consult a specialist workshop in due time.

For technological reasons, the light output of LEDs decreases over their lifetime. This effect increases with higher operating temperature. You can extend the service life of the illuminants by providing adequate ventilation and operating the LEDs with the lowest possible brightness.

## 4 Installation

Unpack and check carefully there is no transportation damage before using the unit. Keep the equipment packaging. To fully protect the product against vibration, dust and moisture during transportation or storage use the original packaging or your own packaging material suitable for transport or storage, respectively.



### **WARNING!**

#### **Risk of injury caused by falling objects**

Make sure that the installation complies with the standards and rules that apply in your country. Always secure the device with a secondary safety attachment, such as a safety cable or a safety chain.

Secure the barn door with a safety cable on the spotlight after installation. The safety cable must run outside the barn door and must not interfere with the light emission.



### **NOTICE!**

#### **Risk of overheating**

Always ensure sufficient ventilation.

The ambient temperature must not exceed the limits stated in the chapter Technical Specifications of the User Manual.



**NOTICE!****Use of stands**

When mounting the device onto a stand, ensure that the stand is in a safe and stable position and that the weight of the device does not exceed the maximum permissible load capacity of the stand.

**NOTICE!****Possible data transmission errors**

For error-free operation make use of dedicated DMX cables and do not use ordinary microphone cables.

Never connect the DMX input or output to audio devices such as mixers or amplifiers.

**NOTICE!****Possible damage due to moisture**

Moisture entering into open connectors (plugs and couplers) of DMX or power cords can cause short circuits.

Close unused connectors with end caps intended for this purpose ([www.thomann.de](http://www.thomann.de)).

### Mounting options

You can install the device in hanging or standing position. When in use, the device must always be attached to a solid surface or an approved truss. Use the openings of the bracket provided for mounting.

Always work from a stable platform whenever installing, moving or servicing the device. In doing so, the area underneath the device must be cordoned off.

The safety cable must be attached to the bracket.



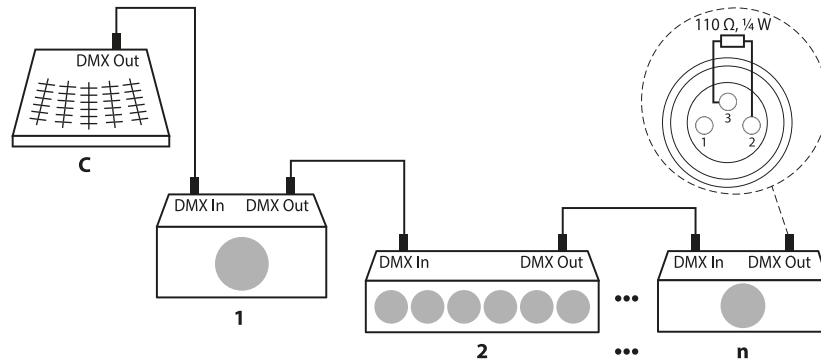
*Please note that this device must not be connected to a dimmer.*

## 5 Starting up

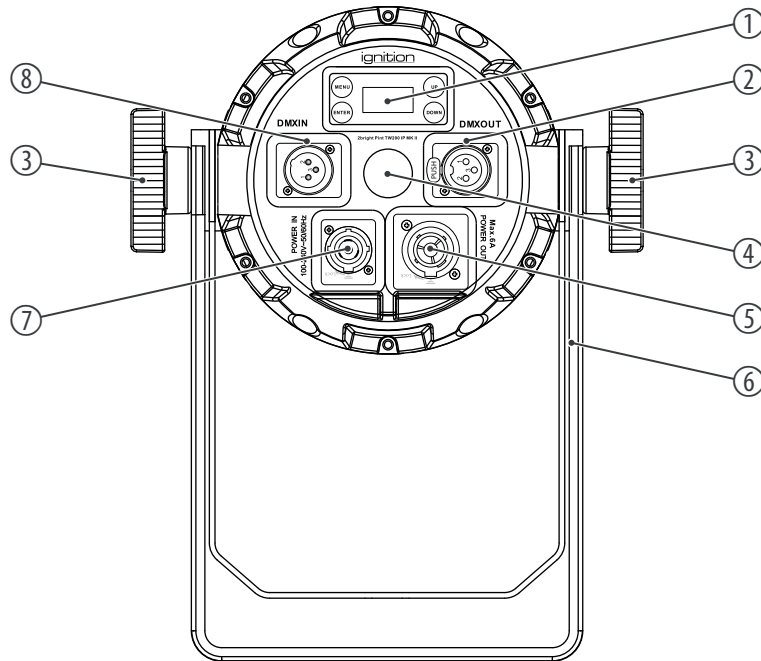
Create all connections while the device is off. Use the shortest possible high-quality cables for all connections. Take care when running the cables to prevent tripping hazards.

### Connections in DMX mode

Connect the DMX input of the device to the DMX output of a DMX controller or another DMX device. Connect the output of the first DMX device to the input of the second one, and so on to form a daisy chain. Always ensure that the output of the last DMX device in the daisy chain is terminated with a resistor ( $110\ \Omega$ ,  $\frac{1}{4}\text{ W}$ ).



## 6 Connections and controls



1	Display and function buttons. <i>[MENU]</i>   activates the main menu, toggles between the menu levels or closes a submenu. <i>[DOWN]</i>   decreases the displayed value by one. <i>[UP]</i>   increases the displayed value by one. <i>[ENTER]</i>   opens a submenu or confirms a value.
2	<i>[DMX OUT]</i>   DMX output, designed as 3-pin XLR panel plug (IP65)
3	Locking screws for the brackets
4	Pressure compensation element
5	<i>[POWER OUT]</i>   lockable chassis socket (Power Twist TR1 IP65) for the power supply of another device
6	Bracket for floor placement or hanging
7	<i>[POWER IN]</i>   lockable chassis socket (Power Twist TR1 IP65) for the power supply of the device
8	<i>[DMX IN]</i>   DMX input, designed as 3-pin XLR panel plug (IP65)

## 7 Operating

### 7.1 Starting the device

Connect the device to the power supply to start operation. The device is immediately operational.

### 7.2 Operating on the unit

#### Navigating in the menu

1. ▶ Press *[MENU]* to activate the main menu.
2. ▶ Press *[UP]* or *[DOWN]* to select the desired menu item or to change the respectively displayed value.
3. ▶ Press *[ENTER]* to select the desired menu item or to apply the displayed value.
4. ▶ To exit a menu item without making changes, press *[MENU]*.

All set values are retained even when you switch the device off and disconnect it from the mains.

## Setting the DMX address

1. Press *[MENU]* and then *[UP]* or *[DOWN]* repeatedly until the display shows 'DMX Address'. Confirm with *[ENTER]*.
2. Use *[UP]* or *[DOWN]* to select the desired DMX address between '001' and '512'.
3. Press *[ENTER]* to accept the selection.

This setting is only relevant when the device is controlled via DMX. Make sure that this number matches the configuration of your DMX controller. The following table shows the highest possible DMX address for the various DMX modes.

Mode	Display	Highest possible DMX address
1-channel	'1CH'	512
2-channel, variant A	'2CH A'	511
2-channel, variant B	'2CH B'	511
3-channel	'3CH'	510
4-channel	'4CH'	509
5-channel	'5CH'	508
8-channel	'8CH'	505

### Setting the DMX mode

1. ➤ Press *[MENU]* and then *[UP]* or *[DOWN]* repeatedly until the display shows 'DMX Mode'. Confirm with *[ENTER]*.
2. ➤ Use *[UP]* or *[DOWN]* to select the desired DMX mode (1, 2, 3, 4, 5 or 8 channels). Depending on the selected mode, the display shows '1CH', '2CH A', '2CH B', '3CH', '4CH', '5CH' or '8CH'.
3. ➤ Press *[ENTER]* to accept the selection.

This setting is only relevant when the device is controlled via DMX.



## Manual mode / stand-alone operation

1. ➤ Press *[MENU]* and then *[UP]* or *[DOWN]* repeatedly until the display shows 'Stand Alone'. Confirm with *[ENTER]*.
2. ➤ Press *[UP]* or *[DOWN]* to select the desired submenu or the desired value. The following sub menus are available:

Menu level 2	Menu level 3	Function
'CTC'	'OFF'	"Colour temperature control" function off
	'2700...7000 K'	Setting the colour temperature
'Warm White'	'0...255'	Warm white LED brightness
'Cold White'	'0...255'	Cold white LED brightness
'Dimmer'	'0...255'	Dimmer intensity (0 % to 100 %)
'Strobe'	'0...30Hz'	Strobe effect frequency from 0 to 30 Hz
'AutoFade'	'No fade'	"Automatic fade" function off
	'0.5s...30s'	Automatic fade in a time from 0.5 s to 30 s. Overwrites the dimmer and the strobe effect settings.

3. ➤ Press *[ENTER]* to accept the selection.

### Rotating the Display

1. ▶ Press *[MENU]* and then *[UP]* or *[DOWN]* repeatedly until the display shows 'Settings'. Confirm with *[ENTER]*.
2. ▶ Press *[UP]* or *[DOWN]* repeatedly until the display shows 'Display Reverse'. Confirm with *[ENTER]*.
3. ▶ Use *[UP]* or *[DOWN]* to select either 'On' (display rotated by 180 °) or 'Off' (display not rotated).
4. ▶ Press *[ENTER]* to accept the selection.

### Setting display illumination

1. ▶ Press *[MENU]* and then *[UP]* or *[DOWN]* repeatedly until the display shows 'Settings'. Confirm with *[ENTER]*.
2. ▶ Press *[UP]* or *[DOWN]* repeatedly until the display shows 'Display Backlight'. Confirm with *[ENTER]*.
3. ▶ Use *[UP]* or *[DOWN]* to select either 'On' (display permanently on) or 'oFF' (display turns off after a few seconds in case of inactivity).
4. ▶ Press *[ENTER]* to accept the selection.

## Setting the behaviour on DMX control failure

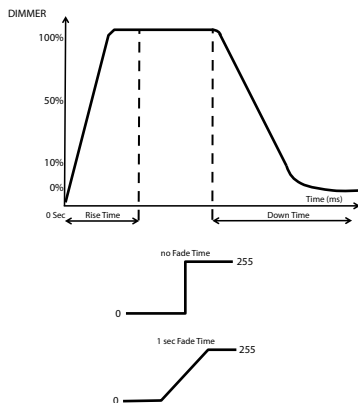
1. ➤ Press *[MENU]* and then *[UP]* or *[DOWN]* repeatedly until the display shows 'Settings'. Confirm with *[ENTER]*.
2. ➤ Press *[UP]* or *[DOWN]* repeatedly until the display shows 'DMX Fail'. Confirm with *[ENTER]*.
3. ➤ Use *[UP]* or *[DOWN]* to select either 'Hold', 'Blackout' or 'Emergency Light' to make the setting to be used when the DMX controller fails.

The following sub menus are available:

Menu level 3	Function
'Hold'	The last received signal is held.
'Blackout'	The spotlight is turned off.
'ManualMode'	The device calls up the values set in the 'Stand Alone' menu.

4. ➤ Press *[ENTER]* to accept the selection.

## Setting the dimmer curve



1. ➤ Press *[MENU]* and then *[UP]* or *[DOWN]* repeatedly until the display shows 'Settings'. Confirm with *[ENTER]*.
2. ➤ Press *[UP]* or *[DOWN]* repeatedly until the display shows 'Dimmer Curve'. Confirm with *[ENTER]*.
3. ➤ Use *[UP]* or *[DOWN]* to select the desired dimmer curve.

The following sub menus are available:

Menu level 3	Function
'Linear'	without fade time: Rise time 0 ms, fall time 0 ms
	Fade time 1 s: Rise time 0 ms, fall time 0 ms
'Stage'	without fade time: Rise time 780 ms, fall time 1100 ms
	Fade time 1 s: Rise time 1540 ms, fall time 1660 ms
'TV'	without fade time: Rise time 1180 ms, fall time 1520 ms
	Fade time 1 s: Rise time 1860 ms, fall time 1940 ms
'Architectural'	without fade time: Rise time 1380 ms, fall time 1730 ms
	Fade time 1 s: Rise time 2040 ms, fall time 2120 ms
'Theatre'	without fade time: Rise time 1580 ms, fall time 1940 ms
	Fade time 1 s: Rise time 2230 ms, fall time 2280 ms

Menu level 3	Function
'Stage2'	without fade time: Rise time 0 ms, fall time 1100 ms
	Fade time 1 s: Rise time 0 ms, fall time 1660 ms

**4.** ▶ Press *[ENTER]* to accept the selection.

## Setting the dimmer speed

The dimmer speed can only be set for the 'Stage2' dimmer curve.

- 1.** ▶ Press *[MENU]* and then *[UP]* or *[DOWN]* repeatedly until the display shows 'Settings'. Confirm with *[ENTER]*.
- 2.** ▶ Press *[UP]* or *[DOWN]* repeatedly until the display shows 'Dimmer Speed'. Confirm with *[ENTER]*.
- 3.** ▶ Use *[UP]* or *[DOWN]* to select a dimmer speed between 0.1...0.9 seconds and 1...10 seconds (display shows '0.1-0.9s'... '1-10s').
- 4.** ▶ Press *[ENTER]* to accept the selection.

### Enabling keylock

1. ➤ Press *[MENU]* and then *[UP]* or *[DOWN]* repeatedly until the display shows 'Settings'. Confirm with *[ENTER]*.
2. ➤ Press *[UP]* or *[DOWN]* repeatedly until the display shows 'AutoLock'. Confirm with *[ENTER]*.
3. ➤ Use *[UP]* or *[DOWN]* to select either 'On' (keylock on) and 'Off' (keylock off).
4. ➤ Press *[ENTER]* to accept the selection.



*To release the key lock, press simultaneously [UP] and [DOWN] for 5 seconds.*

## Setting fan mode

1. ➤ Press *[MENU]* and then *[UP]* or *[DOWN]* repeatedly until the display shows 'Settings'. Confirm with *[ENTER]*.
2. ➤ Press *[UP]* or *[DOWN]* repeatedly until the display shows 'Fan Mode'. Confirm with *[ENTER]*.
3. ➤ Use *[UP]* or *[DOWN]* to select the desired fan mode.

The following sub menus are available:

Menu level 3	Function
'Smart'	The fan speed is controlled automatically depending on the device temperature.
'Silent'	The fan is off (silent mode). The device temperature is controlled by reducing the power consumption to a maximum of 70 W.
'Max'	The fan runs at maximum speed.

4. ➤ Press *[ENTER]* to accept the selection.

## Setting LED repetition rate (PWM)

1. ➤ Press *[MENU]* and then *[UP]* or *[DOWN]* repeatedly until the display shows 'Settings'. Confirm with *[ENTER]*.
2. ➤ Press *[UP]* or *[DOWN]* repeatedly until the display shows 'PWM Rate'. Confirm with *[ENTER]*.
3. ➤ Use *[UP]* or *[DOWN]* to select a value for the LED repetition rate. The following table shows the available options.

Menu level 3	Function
'900Hz'	PWM 900 Hz
'1000Hz'	PWM 1.0 kHz
'1100Hz'	PWM 1.1 kHz
'1200Hz'	PWM 1.2 kHz
'1300Hz'	PWM 1.3 kHz
'1400Hz'	PWM 1.4 kHz
'1500Hz'	PWM 1.5 kHz
'2500Hz'	PWM 2.5 kHz
'4000Hz'	PWM 4 kHz
'5000Hz'	PWM 5 kHz



Menu level 3	Function
'6000Hz'	PWM 6 kHz
'10000Hz'	PWM 10 kHz

4. ▶ Press *[ENTER]* to accept the selection.

## Resetting the device to factory defaults

1. ▶ Press *[MENU]* and then *[UP]* or *[DOWN]* repeatedly until the display shows 'Settings'. Confirm with *[ENTER]*.
2. ▶ Press *[UP]* or *[DOWN]* repeatedly until the display shows 'Service'. Confirm with *[ENTER]*.
3. ▶ Press *[UP]* or *[DOWN]* repeatedly until the display shows 'Reset'. Confirm with *[ENTER]*.
  - ⇒ You are prompted to enter a password.
4. ▶ Enter the password 11.
5. ▶ Press *[ENTER]*.
  - ⇒ The device is reset to factory default settings.

## Calibrating colour temperature

1. ➤ Press *[MENU]* and then *[UP]* or *[DOWN]* repeatedly until the display shows 'Settings'. Confirm with *[ENTER]*.
2. ➤ Press *[UP]* or *[DOWN]* repeatedly until the display shows 'Service'. Confirm with *[ENTER]*.
3. ➤ Press *[UP]* or *[DOWN]* repeatedly until the display shows 'Calibration'. Confirm with *[ENTER]*.  
⇒ You are prompted to enter a password.
4. ➤ Enter the password 50. Confirm with *[ENTER]*.
5. ➤ Use *[UP]* or *[DOWN]* to select a value for the calibration of the colour temperature. The following table shows the available options.

Menu level 4	Menu level 5	Function
'Warm'	'000...255'	Calibrating warm white
'Cold'	'000...255'	Calibrating cold white

6. ➤ Press *[ENTER]* to accept the selection.

### Firmware version display

1. ➤ Press *[MENU]* and then *[UP]* or *[DOWN]* repeatedly until the display shows 'System Info'. Confirm with *[ENTER]*.
2. ➤ Press *[UP]* or *[DOWN]* until the display shows 'Firmware'.  
⇒ The current firmware version is displayed.

### LED operating hours display

1. ➤ Press *[MENU]* and then *[UP]* or *[DOWN]* repeatedly until the display shows 'System Info'. Confirm with *[ENTER]*.
2. ➤ Press *[UP]* or *[DOWN]* until the display shows 'LED On Time'.  
⇒ The operation hours of the LED are displayed.

### Device operating hours display

1. ➤ Press *[MENU]* and then *[UP]* or *[DOWN]* repeatedly until the display shows 'System Info'. Confirm with *[ENTER]*.
2. ➤ Press *[UP]* or *[DOWN]* until the display shows 'Total Operation Hours'.  
⇒ The operation hours of the device are displayed.

### Show device temperature

- 1.** ▶ Press *[MENU]* and then *[UP]* or *[DOWN]* repeatedly until the display shows 'System Info'. Confirm with *[ENTER]*.
- 2.** ▶ Press *[UP]* or *[DOWN]* until the display shows 'Temperature'.  
⇒ The current device temperature is displayed.

## RDM function

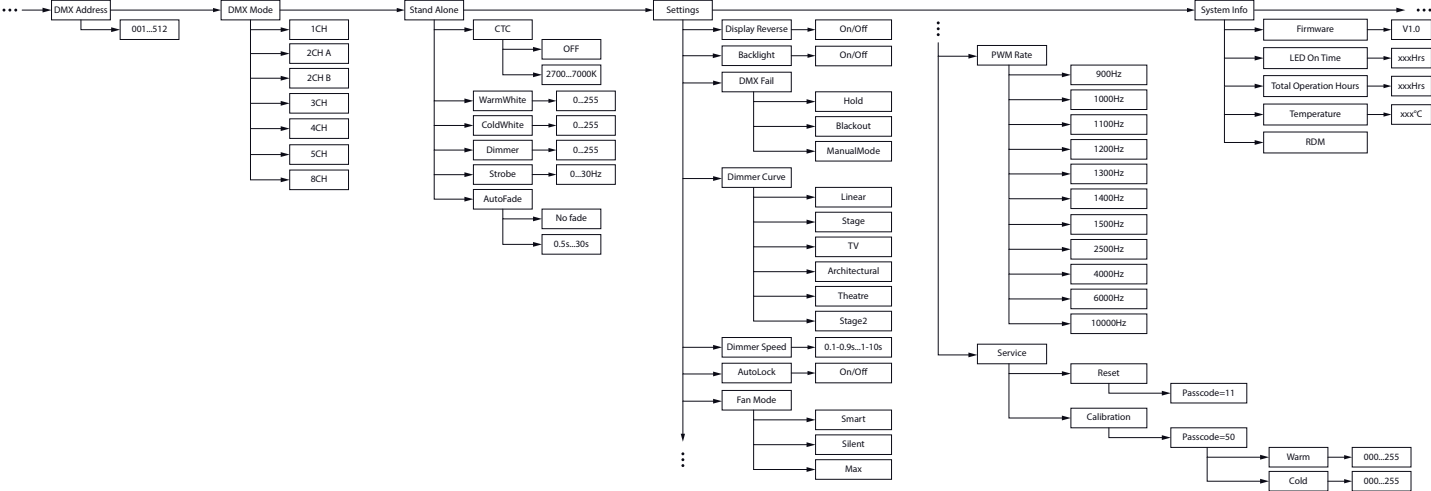
The device provides an RDM function and is compatible to DMX512 standard. It is possible to recognize every device with RDM from the UID code.

1. ➤ Press *[MENU]* and then *[UP]* or *[DOWN]* repeatedly until the display shows 'System Info'. Confirm with *[ENTER]*.
2. ➤ Press *[UP]* or *[DOWN]* until the display shows 'RDM'.
  - ⇒ The display shows the UID code.

Parameter ID	Detection command	Sent command	Received command
DISC_UNIQUE_BRANCH	*		
DISC_MUTE	*		
DISC_UN_MUTE	*		
DEVICE_INFO			*
SOFTWARE_VERSION_LABEL			*
DMX_START_ADDRESS		*	*
IDENTIFY_DEVICE		*	*
SUPPORTED_PARAMETERS			*
SENSOR_DEFINITION			*

<b>Parameter ID</b>	<b>Detection command</b>	<b>Sent command</b>	<b>Received command</b>
SENSOR_VALUE			*
DMX_PERSONALITY		*	*
DMX_PERSONALITY_DESCRIPTION			*
RESET_DEVICE		*	
FACTORY_DEFAULTS		*	

### 7.3 Menu overview



## 7.4 Functions in 1-channel DMX mode

Channel	Value	Function
1	000...255	Blinder mode (0 %...100 %)

## 7.5 Functions in 2-channel DMX mode, variant A

Channel	Value	Function
1	000...255	Intensity cold white (0 %...100 %)
2	000...255	Intensity warm white (0 %...100 %)



## 7.6 Functions in 2-channel DMX mode, variant B

Channel	Value	Function
1	000...255	Master dimmer intensity from dark (0) to bright (255)
2	000...255	Colour temperature from 2700 K to 7000 K

## 7.7 Functions in 3-channel DMX mode

Channel	Value	Function
1	000...255	Master dimmer intensity from dark (0) to bright (255)
2	000...255	Colour temperature from 2700 K to 7000 K
3	Stroboscope	
	000...010	LED off
	011...020	LED on
	021...030	Single strobe pulse
	031...090	Strobe effect, increasing speed
	091...100	LED on

Channel	Value	Function
	101...170	Strobe pulses, increasing speed
	171...180	LED on
	181...240	Random strobe effect, increasing speed
	241...255	LED on

## 7.8 Functions in 4-channel DMX mode

Channel	Value	Function
1	000...255	Master dimmer intensity from dark (0) to bright (255)
2	000...255	Intensity cold white (0 %...100 %)
3	000...255	Intensity warm white (0 %...100 %)
4	Stroboscope	
	000...010	LED off
	011...020	LED on
	021...030	Single strobe pulse

Channel	Value	Function
	031...090	Strobe effect, increasing speed
	091...100	LED on
	101...170	Strobe pulses, increasing speed
	171...180	LED on
	181...240	Random strobe effect, increasing speed
	241...255	LED on

## 7.9 Functions in 5-channel DMX mode

Channel	Value	Function
1	000...255	Master dimmer intensity from dark (0) to bright (255)
2	000...255	Colour temperature from 2700 K to 7000 K
3	Stroboscope	
	000...010	LED off
	011...020	LED on

Channel	Value	Function
	021...030	Single strobe pulse
	031...090	Strobe effect, increasing speed
	091...100	LED on
	101...170	Strobe pulses, increasing speed
	171...180	LED on
	181...240	Random strobe effect, increasing speed
	241...255	LED on
4	Dimmer curves	
	000...010	Default setting of the device
	011...020	Dimmer curve <i>'Linear'</i>
	021...040	Dimmer curve <i>'Stage'</i>
	041...060	Dimmer curve <i>'TV'</i>
	061...080	Dimmer curve <i>'Architectural'</i>
	081...100	Dimmer curve <i>'Theatre'</i>
	101...120	Dimmer curve <i>'Stage2'</i>
	Delay time	

Channel	Value	Function
	121	Delay 0.1 s
	122	Delay 0.2 s
	123	Delay 0.3 s
	124	Delay 0.4 s
	125	Delay 0.5 s
	126	Delay 0.6 s
	127	Delay 0.7 s
	128	Delay 0.8 s
	129	Delay 0.9 s
	130	Delay 1.0 s
	131	Delay 1.5 s
	132	Delay 2.0 s
	133	Delay 3.0 s
	134	Delay 4.0 s
	135	Delay 5.0 s
	136	Delay 6.0 s

Channel	Value	Function
	137	Delay 7.0 s
	138	Delay 8.0 s
	139	Delay 9.0 s
	140	Delay 10 s
	141...255	Default setting of the device
5	LED repetition rate	
	000...010	No function
	011...020	900 Hz
	021...030	1000 Hz
	031...040	1100 Hz
	041...050	1200 Hz
	051...060	1300 Hz
	061...070	1400 Hz
	071...080	1500 Hz
	081...090	2500 Hz
	091...100	4000 Hz

Channel	Value	Function
	101...110	5000 Hz
	111...120	6000 Hz
	121...130	10,000 Hz
	131...140	Default setting of the device
	141...255	No function

## 7.10 Functions in 8-channel DMX mode

Channel	Value	Function
1	000...255	Master dimmer intensity from dark (0) to bright (255)
2	000...255	Intensity cold white (0 %...100 %)
3	000...255	Intensity warm white (0 %...100 %)
4	Stroboscope	
	000...010	LED off
	011...020	LED on

Channel	Value	Function
	021...030	Single strobe pulse
	031...090	Strobe effect, increasing speed
	091...100	LED on
	101...170	Strobe pulses, increasing speed
	171...180	LED on
	181...240	Random strobe effect, increasing speed
	241...255	LED on
5	000...255	Blinder mode (0 %...100 %), overwrites all dimmer channels
6	000...255	Colour temperature from 2700 K to 7000 K
7	Dimmer curves	
	000...010	Default setting of the device
	011...020	Dimmer curve <i>'Linear'</i>
	021...040	Dimmer curve <i>'Stage'</i>
	041...060	Dimmer curve <i>'TV'</i>
	061...080	Dimmer curve <i>'Architectural'</i>
	081...100	Dimmer curve <i>'Theatre'</i>



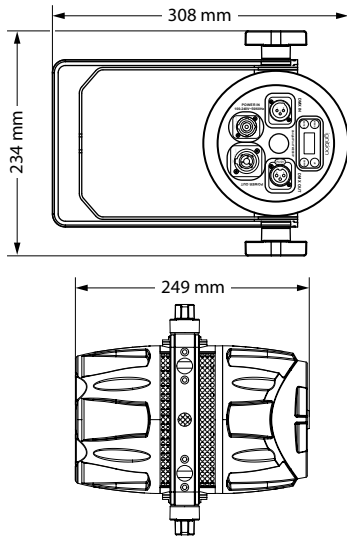
Channel	Value	Function
	101...120	Dimmer curve <i>'Stage2'</i>
	Delay time	
	121	Delay 0.1 s
	122	Delay 0.2 s
	123	Delay 0.3 s
	124	Delay 0.4 s
	125	Delay 0.5 s
	126	Delay 0.6 s
	127	Delay 0.7 s
	128	Delay 0.8 s
	129	Delay 0.9 s
	130	Delay 1.0 s
	131	Delay 1.5 s
	132	Delay 2.0 s
	133	Delay 3.0 s
	134	Delay 4.0 s

Channel	Value	Function
	135	Delay 5.0 s
	136	Delay 6.0 s
	137	Delay 7.0 s
	138	Delay 8.0 s
	139	Delay 9.0 s
	140	Delay 10 s
	141...255	Default setting of the device
8	LED repetition rate	
	000...010	No function
	011...020	900 Hz
	021...030	1000 Hz
	031...040	1100 Hz
	041...050	1200 Hz
	051...060	1300 Hz
	061...070	1400 Hz
	071...080	1500 Hz

---

Channel	Value	Function
	081...090	2500 Hz
	091...100	4000 Hz
	101...110	5000 Hz
	111...120	6000 Hz
	121...130	10,000 Hz
	131...140	Default setting of the device
	141...255	No function

## 8 Technical specifications



Light source	1 × 2in1 WW/CW COB LED, 200 W	
Light source properties	Colour temperature	2700 K to 7000 K
	Colour rendering index	CRI 95
Optical properties	Beam angle	50 °
	Repetition rate	900 Hz...10 kHz
Control	DMX, RDM, Buttons and display	
Number of DMX channels	1, 2, 3, 4, 5, 8	
Input connections	Power supply	Lockable input socket Power Twist TR1 IP65
	DMX control	XLR chassis socket (IP65), 3-pin
Output connections	Power supply of further devices	Lockable output socket Power Twist TR1 IP65
	DMX control	XLR chassis-mounted coupling (IP65), 3-pin
Power consumption	135 W	

Supply voltage	100 - 240 V ~ 50/60 Hz	
Protection class	IP65	
Mounting options	Hanging, standing	
Dimensions (W × H × D), with bracket	234 mm × 308 mm × 249 mm	
Weight	4.2 kg	
Ambient conditions	Temperature range	0 °C...40 °C
	Relative humidity	20 %...80 % (non-condensing)

### Further information

Design	Outdoor housing, cannon
Number of LEDs	1
Colour mixture	CW / WW
LED type	COB
Floor housing	yes
Fanless	no
Remote control	not possible
Wireless DMX	no
Housing colour	black

# 9 Plug and connection assignments

## Introduction

This chapter will help you select the right cables and plugs to connect your valuable equipment so that a perfect light experience is guaranteed.

Please take our tips, because especially in 'Sound & Light' caution is indicated: Even if a plug fits into a socket, the result of an incorrect connection may be a destroyed DMX controller, a short circuit or 'just' a not working light show!

## DMX connections

The unit offers a 3-pin XLR socket for DMX output and a 3-pin XLR plug for DMX input. Please refer to the drawing and table below for the pin assignment of a suitable XLR plug.



Pin	Configuration
1	Ground, shielding
2	Signal inverted (DMX-, 'cold signal')
3	Signal (DMX+, 'hot signal')

## 10 Troubleshooting



### **NOTICE!**

#### **Possible data transmission errors**

For error-free operation make use of dedicated DMX cables and do not use ordinary microphone cables.

Never connect the DMX input or output to audio devices such as mixers or amplifiers.

In the following we list a few common problems that may occur during operation. We give you some suggestions for easy troubleshooting:



Symptom	Remedy
The unit does not work, no light.	Check the mains connection and the fuse.
No response to the DMX controller.	1. Check the DMX ports and cables for proper connection.
	2. Check the address settings and the DMX polarity.
	3. Try using another DMX controller.
	4. Check to see if the DMX cables run near or alongside to high voltage cables that may cause damage or interference to DMX interface circuits.

If the procedures recommended above do not succeed, please contact our Service Center. You can find the contact information at [www.thomann.de](http://www.thomann.de).

## 11 Cleaning

### Optical lenses

Clean the optical lenses, that are accessible from the outside, regularly in order to optimize the light output. The frequency of cleaning depends on the operating environment: wet, smoky or particularly dirty surroundings can cause more accumulation of dirt on the optics of the device.

- Clean with a soft cloth using our lamp and lens cleaner (item no. 280122).
- Always dry the parts carefully.

### Fan grids

The fan grids of the device must be cleaned of any contamination, such as dust, etc. on a regular basis. Before cleaning, switch off the device and disconnect mains-operated devices from the mains. Only use pH-neutral, solvent-free and non-abrasive cleaning agents. Clean the unit with a slightly damp lint-free cloth.

## 12 Protecting the environment

### Disposal of the packaging material



For the transport and protective packaging, environmentally friendly materials have been chosen that can be supplied to normal recycling.

Ensure that plastic bags, packaging, etc. are properly disposed of.

Do not just dispose of these materials with your normal household waste, but make sure that they are collected for recycling. Please follow the notes and markings on the packaging.

### Disposal of your old device



This product is subject to the European Waste Electrical and Electronic Equipment Directive (WEEE) in its currently valid version. Do not dispose with your normal household waste.

Dispose of this device through an approved waste disposal firm or through your local waste facility. When discarding the device, comply with the rules and regulations that apply in your country. If in doubt, consult your local waste disposal facility.









