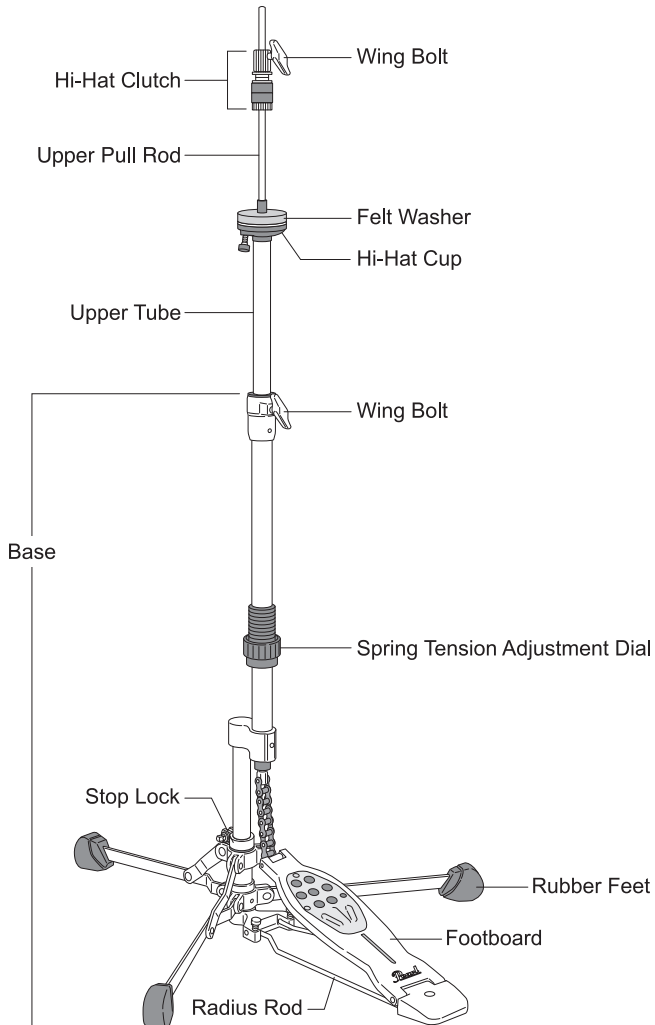


# PEARL HI-HAT STAND

## H-150S

### Instruction Manual

Congratulations on your purchase!  
To get optimum performance of your H-150S Hi-Hat Stand,  
please read this Instruction Manual before playing.



## Footboard Attachment

Squeeze the Radius Rods together and insert the ends into the Holes in the Support Casting as shown. Loosen the Wing Bolt and spread the legs. Make sure that the Upper Trident is lowered until it touches the Collar and tighten the Wing Bolt to secure. Loosen the Key Bolt on the Stop Lock and lower it against the Upper Trident. Tighten the Key Bolt to secure (Fig.1).

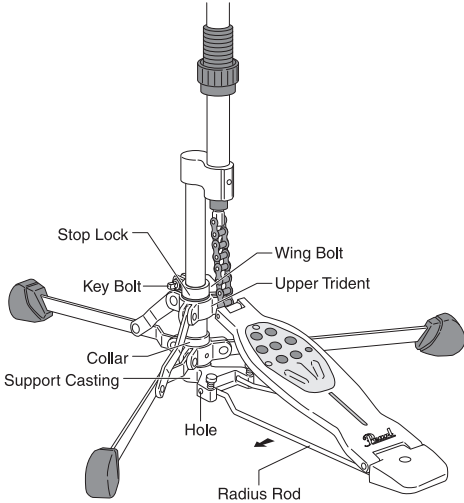


Fig.1

## Swivel Leg Adjustment

The legs can be swiveled to the desired position. To do so, loosen the Wing Bolt on the Upper Trident and the Key Bolt on the Lower Trident, and adjust the position of the legs. When set, make sure the tripod is stable and tighten both the Wing Bolt and the Key Bolt (Fig.4).

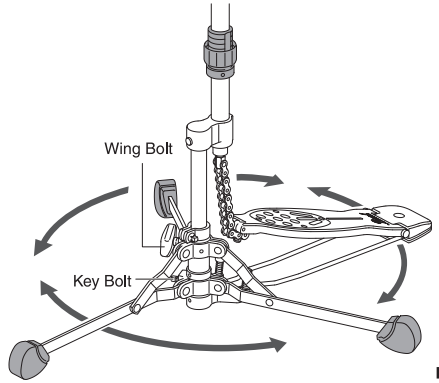


Fig.4

### Tip

Test the stability of the hi-hat before playing. Readjust the legs as necessary to achieve a stable tripod before proceeding.

### Tip

When the Upper Trident is properly lowered until it touches the Collar as shown in Fig.2, there is a gap between the stand and the floor. When it is not lowered properly the stand would touch the floor as shown in Fig.3, and the stand would be unstable. Do not use the stand with this setting.

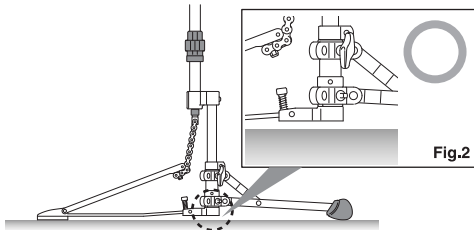


Fig.2

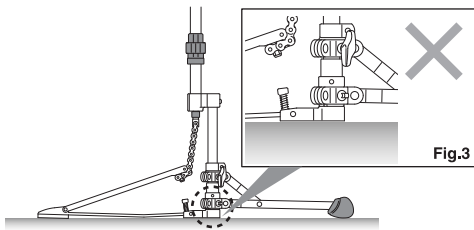


Fig.3

## Upper Section Assembly

Thread the Upper Pull Rod into the Connector inside the Die Cast Joint and tighten securely. Insert the Upper Tube into the Die Cast Joint and set the height to your preference then tighten the Wing Bolt. Thread the Lower Hi-Hat Cymbal through the Upper Pull Rod and place it on the Hi-Hat Cup. Assemble the Top Hi-Hat Cymbal and the Hi-Hat Clutch as shown. Mount the Clutch with the Top Hi-Hat Cymbal attached to the Upper Pull Rod. Adjust the distance between the top and bottom cymbals to your preference then secure the Clutch by tightening the Wing Bolt (Fig.5).

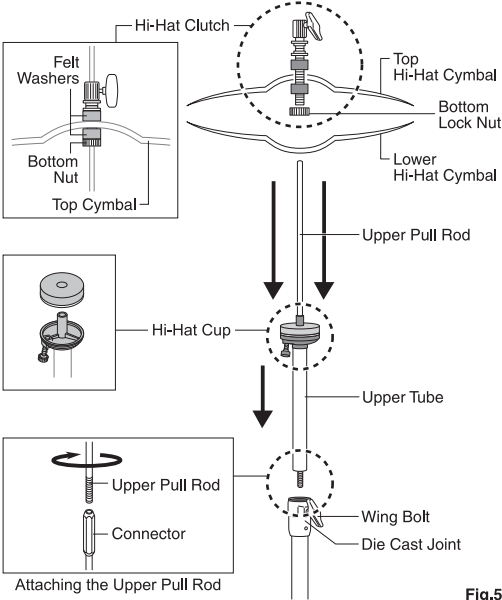


Fig.5

## Hi-Hat Cup Tilt Adjustment

Turn the Knurled Knob to tilt the bottom cymbal to help prevent "air lock" between the cymbals (Fig.6).

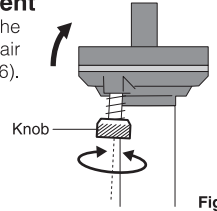


Fig.6

## Spring Tension Adjustment

The spring tension can be adjusted quickly and precisely by turning the Spring Tension Adjustment Dial (Fig.7).

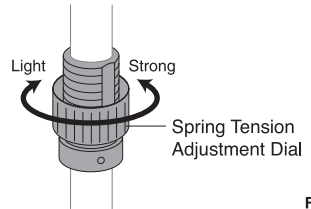


Fig.7

## CAUTION

- ◆ When making any adjustment, use one hand to support and make the adjustment while using your other hand to control the tension of the wing nut or wing bolt to prevent the stand from falling and pinching fingers that may be in the way.
- ◆ When folding the tripod legs, be careful not to pinch your fingers between the legs and the stand.
- ◆ When handling tubular hardware do not put your fingers into the tubes to prevent injury to your fingers.
- ◆ Do not tighten the bolts without the pipes inserted to prevent damage to the stand.
- ◆ Test the stability of the stand before using.

**Pearl**

<http://www.pearldrums.com>

Products and specifications are subject to change without notice.

Printed in China

-1601-