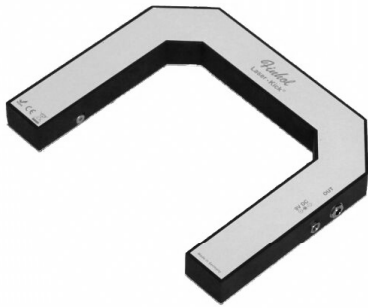


Manual

Laser Kick™



Congratulations and thank you for purchasing a FINHOL product. FINHOL produces at highest standards. All FINHOL products are strictly quality-inspected before delivery.

The Laser Kick™ is the first non-contact trigger for the foot. The foot movement between the two brackets is scanned in a height of approx. 7 mm above the floor by a red light laser and converted into a universal trigger signal.

In contrast to all other triggers no specific area needs to be hit with the foot, only the 17 cm wide area between the two brackets of the trigger has to be interrupted with the foot movement in order to generate the trigger signal.

The device is very power-saving and ergonomic and therefore ideal for long sessions and live applications.

This trigger signal can be used both in connection with the FINHOL-Products (Auto Stomp Player™, Stompcon™ Stompbox Converter), as well as with any standard drum module.

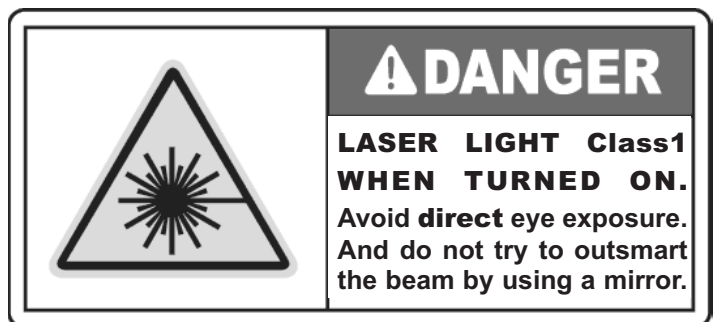
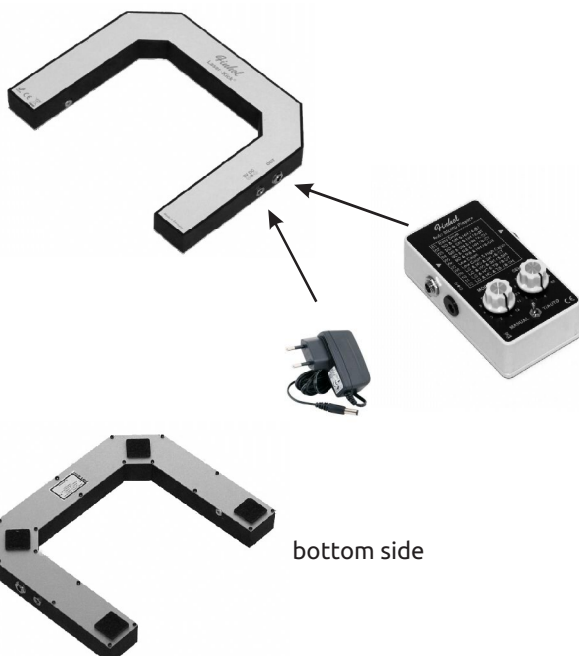
The unit is supplied with a matching power supply

Technical Data

- Redlightlaser - Sensor / Laserclass 1
- Solid plastic housing with alu-cover (250 x 200 x 30 mm)
- Weight: approx. 750 gr.
- Feltfeet
- Output: 6,3 mm unbalanced
- DC socket for 9 V Power Supply (- Pin / + Aussen)
- CE, ROHS, Made in Germany

Technische Data Power Supply

- 9 Volt DC
- Power 500 mA
- Plug: 5,5 mm / 2,1 mm
- Polarity: (- Pin + Housing)
- Switching power supply technology



Warning!

Store the product in a place that is neither excessively dry nor excessively moist. And since the temperature influences the humidity neither excessively hot nor excessively cold.

Don't take this product apart and do not try to repair it yourself.

Always keep this product in a case or gigbag, for it's safety.

Finhol Beteiligungsgesellschaft mbH
Geschäftsbereich Musikinstrumente und Zubehör
Geschäftsführer: Udo Amend
Registergericht: Amtsgericht Mannheim
Nobelstr. 9 - 13 • D-76275 Ettlingen
www.shop.finhol.de • finhol@gmx.de
HRB: 106334 • St. Nr.: 35006/04661 • USt-IdNr.: DE156664640
WEEE-Reg. Nr. DE 508 98 772

