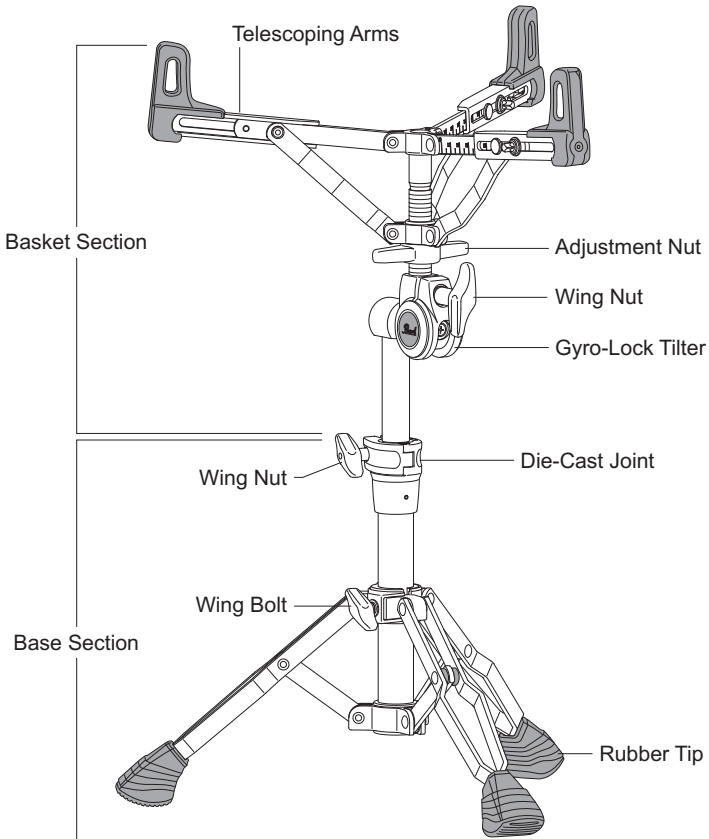


PEARL SNARE STAND

S-1030

Instruction Manual

Congratulations on your purchase!
 To get optimum performance from your S-1030 Snare Stand,
 please read this Instruction Manual before playing.



Base Section Assembly

Loosen the Wing Bolt on the Base Section and extend the legs to form a stable tripod (a minimum of 16" (40cm) is recommended for optimum stability). Tighten the Wing Bolt securely when set (Fig.1).

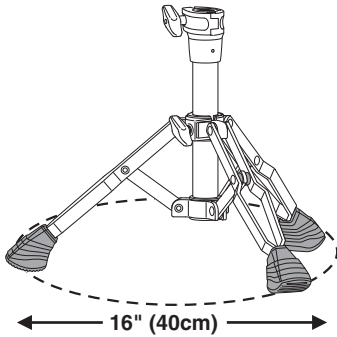


Fig.1

Basket Section Assembly

The Basket Section is packed with the Arms and the Upper Tube folded. Loosen the Wing Nut on the Gyro-Lock Tilter and turn the Upper Tube as shown (Fig.2).

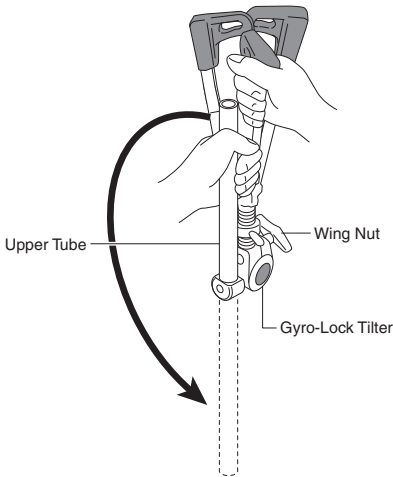


Fig.2

Loosen the Wing Nut on the Die Cast Joint on the Base Section and insert the Upper Tube of the Basket Section as shown. Adjust the height to your preference and tighten the Wing Nut on the Die-Cast Joint securely (Fig.3).

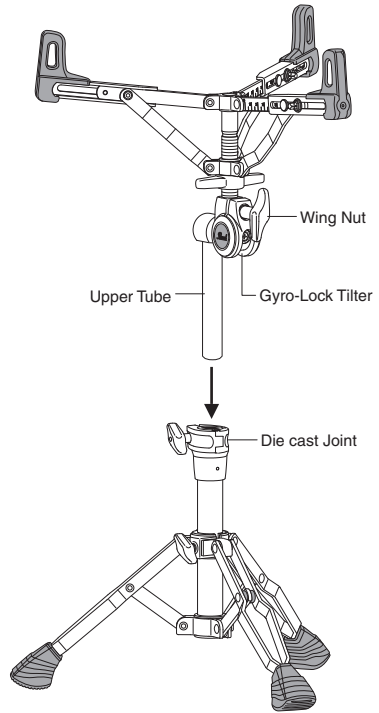


Fig.3

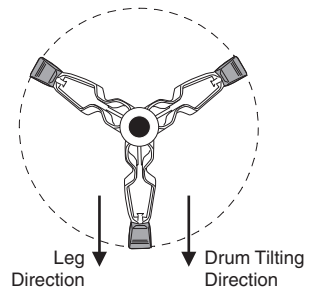


Fig.4

Note

When handling tubular hardware do not put your fingers into the tubes to prevent injury to your fingers.

Note

For optimal stability, one leg should be placed in the same direction as the tilt of the drum. (Fig.4)

Telescoping Arms

The S-1030 features telescoping arms that accommodate drums from 10" to 16" in diameter. Loosen the Key Bolts and align the ends of the arms to the Index Marks that correspond to the diameter of your drum. Tighten the Key Bolts when the settings are completed (Fig.5).

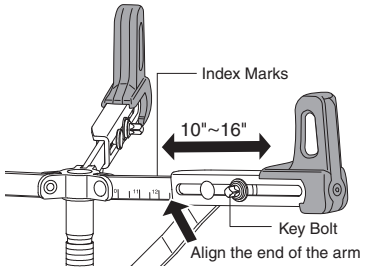


Fig.5

Note

After adjusting the arms tighten the key bolts securely. Failure to do so may cause the drum to fall from the stand.

Adjustment Nut

Place the Snare Drum into the Basket with the Strainer positioned where it can be conveniently operated with your left hand. Tighten the Adjustment Nut to hold the Snare Drum securely (do not overtighten) (Fig.6).

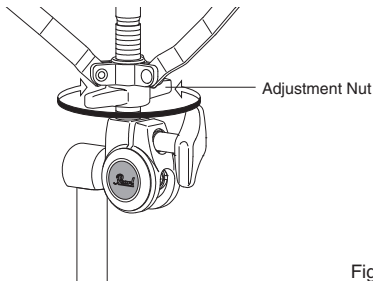


Fig.6

Gyro-Lock Tilter

The Gyro-Lock Tilter featured on the S-1030 is infinitely adjustable and allows the drum to be tilted fore/aft and left/right at the same time for precise placement (Fig.7). Loosen the Wing Nut to make tilt adjustments and tighten the Wing Nut securely after the adjustments have been made.

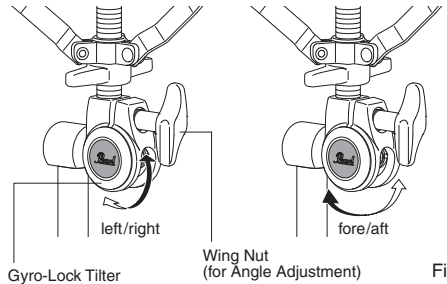


Fig.7

Note

Use one hand to stabilize the drum while controlling the Wing Nut with your other hand.

Optional Items (sold separately)

• Convertible Spike / Rubber Tip (CVT-300/3)

The optional CVT-300/3 Convertible Spike/Rubber Tips replace the stock Rubber Tips and give you the choice of Rubber Tips or Spike Tips for greater stability. Push Button "A" to activate the Spike Tip (Fig.8). To retract, push Button "B" (Fig.9)

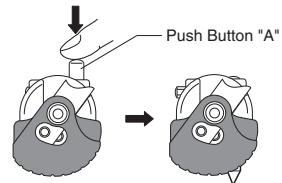


Fig.8

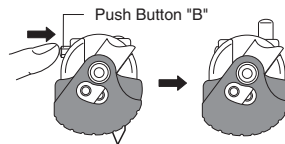


Fig.9

⚠ CAUTION

- Use extreme care when handling the Spike Tip. The Spikes are sharp and could cause serious injury.
- When the stand is not in use, retract the Spike to avoid property damage.
- A rug or carpet should be used to protect floor surfaces whenever using the Spikes.

⚠ CAUTION

- When adjusting the height and tilt of the drum, support the drum with one hand while slowly making adjustments with your free hand to prevent the stand from falling and pinching fingers that may be in the way.
- When folding the tripod legs, be careful not to pinch your fingers between the legs and the stand.
- When handling tubular hardware, do not put your fingers into the tubes to prevent injury to your fingers.

Pearl[®]

<http://www.pearldrums.com>

Products and specifications are subject to change without notice.

Printed in China

-1212-