



SP108

Portable PA System

*Travel musician
Busker
Guitarists
Public Speakers
Vocalists
Performers*

Specifications

Maximum Output Power	150 W+150 W/6 Ω @10 % THD at 1 kHz (SPEAKER L/R)
Frequency Response	20 Hz -20 kHz
Total Harmonic Distortion	0.5% @ 20 Hz -20 kHz, +14 dBu
Hum & Noise (20 Hz–20 kHz, Rs=150 Ω, MIC/LINE switch=MIC)	-67 dBu Residual output noise (SPEAKER L/R) -88 dBu Residual output noise (MONITOR OUT, REC OUT)
Crosstalk (1 kHz)	-70 dB between input channels
Weight	16.9 kg (mixer and two speakers)
Power Consumption	70W

Stereo Input Channel Equalization

Shelving turnover/rolloff frequency	3 dB before maximum cut or boost. ± 15 dB HIGH 10 kHz shelving LOW 100 Hz shelving
--	--

Speaker

Enclosure	Bass-reflex type
Speaker Unit	LF: 8" (20 cm) Cone HF: 1" (2.54 cm) Compression Driver
Cross Over Frequency	4 kHz
Frequency Range	55 Hz–20 kHz
Maximum Output Level	112 dB (1 m)

General Description

The SP108 compact design allows for ease of transportation, while its user-friendly controls offer ease of operation, making it the perfect choice for schools, churches, civic organizations and small musical groups. The SP108 features dual two-way speakers driven by a eight-channel, 300 Watt stereo powered mixer, making it ideal for both vocal and musical applications. Among many professional features, the mixer includes digital reverb and music/speech switch. The convenient accessory compartment storage for cables and additional microphones. This clever design allows the powered mixer to be installed in the speaker compartment or detached for easy positioning and access. The SP108 is a high-performance live-sound system that will deliver your music or message where you go, indoor or out.

Features

- Easy to carry, transport and setup.
- 8-ch powered mixer with 150W+150W class D power amp, 2-band channel EQ digital reverb, and mic stand mountable.
- Powered mixer can be used either while installed in the speaker compartment or detached for easy positioning and access.
- Using optional microphone stand adapter, the powered mixer can be mount on a microphone stand.
- Storage compartment in the speaker cabinet for packing the included cables, and your microphones.
- 8" 2-way speakers can be used as mains or floor monitor.

SP108 Part Numbers

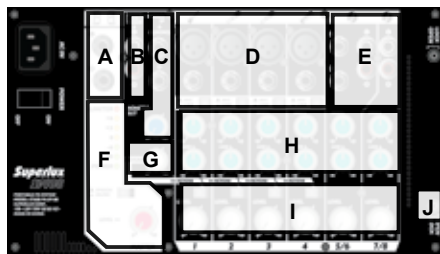
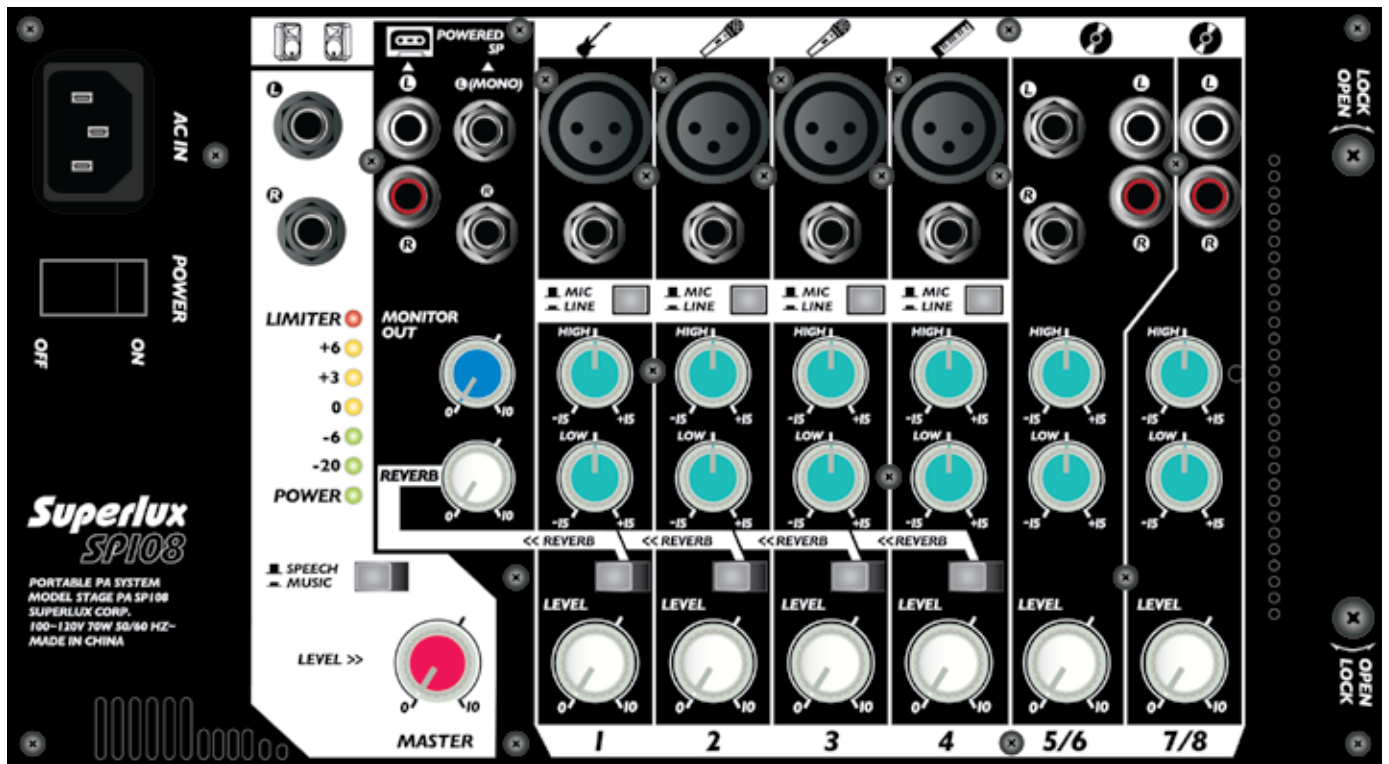
- 120V WH00SP1080100
- 230V WH00SP1080101

System Includes

- 2x 8" 2-way speakers
- 1x 8-CH Powered Mixer
- 2x speaker cables, 5 meter
- 1x power cord



MADE IN CHINA

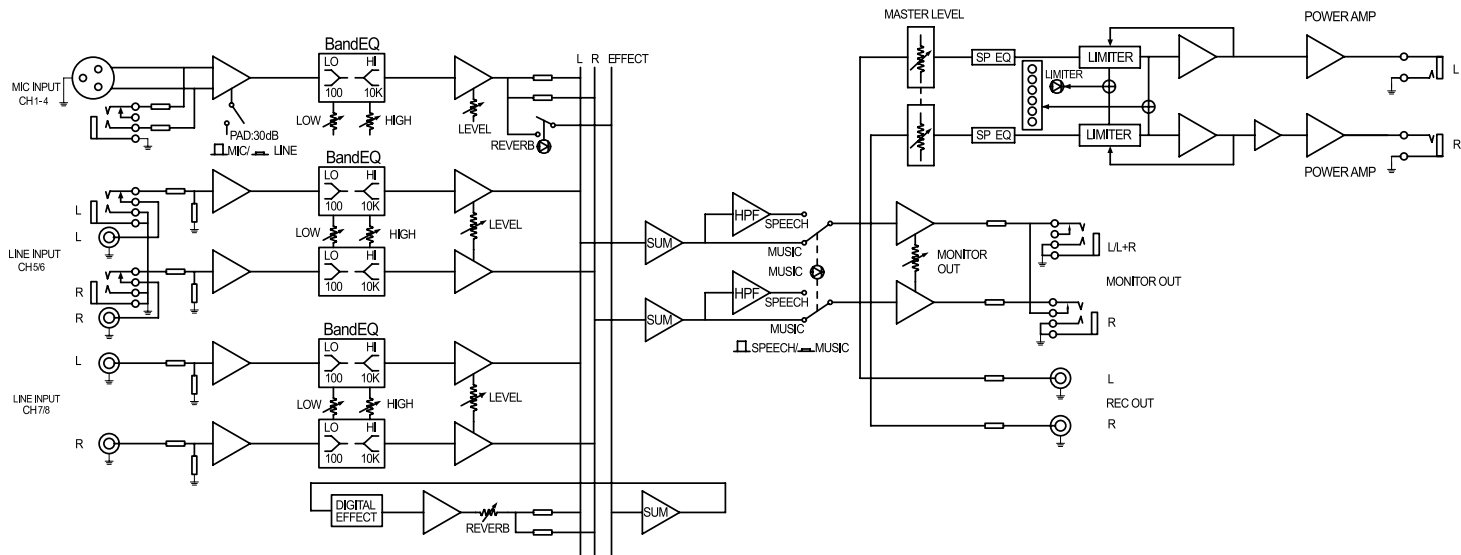


- A. **Speaker Out**
Connect to the speakers by using the included cables.
- B. **RCA Output Jacks**
These jacks are for a recorder.
- C. **Monitor Out**
This control will determine the level of 1/4" line output jacks to be sent to powered speakers for monitoring.
- D. **Mic/Line Inputs and Switches**
These jacks accept your microphones and instruments, and set the level switch accordingly.
- E. **Stereo Line In Channels**
The RCA jacks are for connecting to your CD or MP3 player, while the 1/4" phone jacks accept a stereo keyboard, synthesizer, sampler, tone generator, external effect processor or any other line level audio equipment.
- F. **Level Meter**
Five-stage level meter LEDs plus a convenient Limiter LED to show when the signal is triggering the Limiter circuit
- G. **Reverb Send, On/Off Switches**
You may send the built-in reverb to channel 1 to 4 by the switches and the reverb volume control.
- H. **Two-band EQ**
This will give +/- 15dB boost or cut at high and low band to compensate your input signal.
- I. **Channel Volume**
Independent level controls for every input channel to set appropriate mixing level.
- J. **LOCK/OPEN**
Originally, the mixer is installed in the speaker compartment. But you can use a screwdriver or coin to turn each screw on the mixer from LOCK to OPEN until it clicks, and securely hold the mixer's handles to remove it from the speaker.

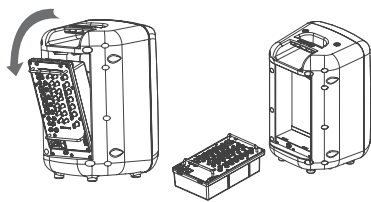
Speech/ Music Switches

Set to Music when you are playing music for getting enhanced bass or set to Speech when making announcements.

Block Diagram

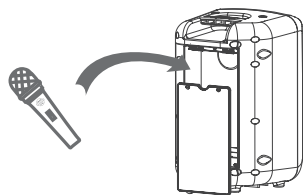


Speaker Compartment



Built-in Powered Mixer

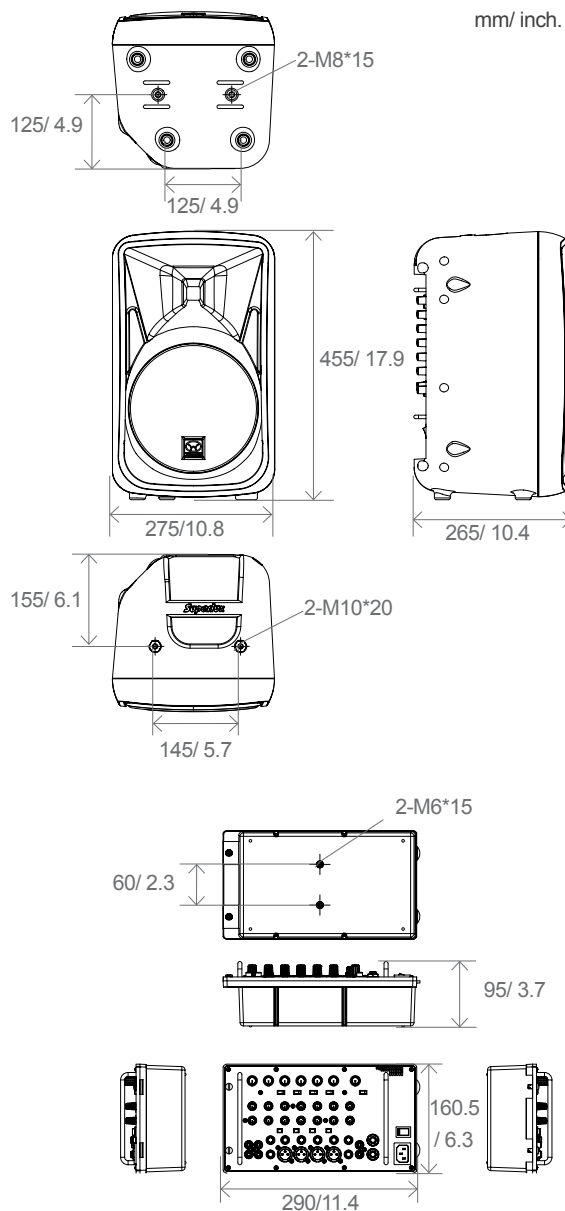
The built-in powered mixer can be used inside the cabinet or taken out from the speaker and placed on a microphone stand through a microphone stand adapter.



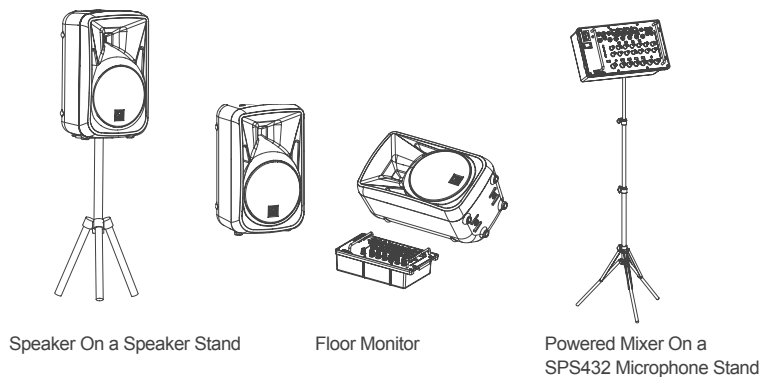
Accessory Compartment

The SP108 involves a storage compartment in the speaker enclosure for storing the included power cable, speaker cable, user guide and optional equipments like microphones. Simply open the back panel of the speaker and put in the things which work with SP108.

Dimensions



Placement



Optional Accessories

SPS432

Tripod stand with mounting adapter for SP108 powered mixer, and adjust height from 52cm to 140cm

Mounting adapter's P/N is SPS00SP1080SN and it works well with most of microphone stands

