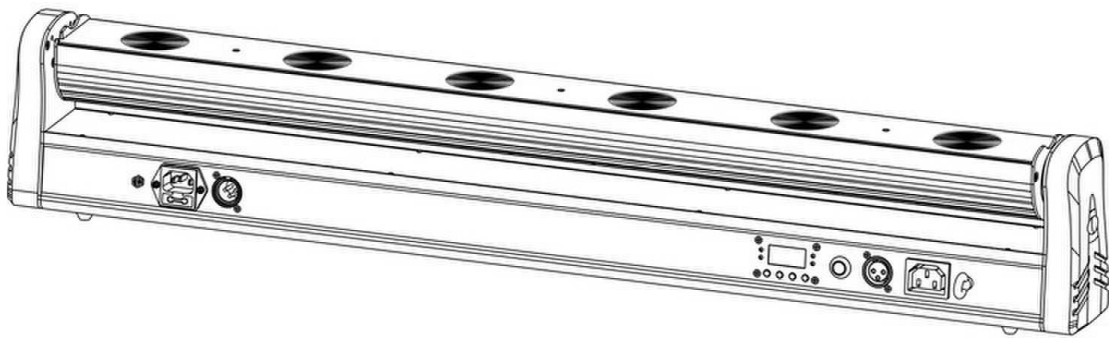


ignition

Manual



LED Beambar 6 RGBW

Table of contents

1. Safety instructions	3
1.1. FOR SAFE AND EFFICIENT OPERATION	3
2. Designated use	4
2.1. Overhead installation	5
3. Introduction	7
4. Connections	7
4.1. Electrical connections	7
4.2. DMX connections	7
4.3. DMX connection with terminator	7
5. Control	9
5.1. Overview	9
5.2. Menu Options	10
6. DMX chart	11
7. Technical data	16

1. Safety instructions



- This device is suitable for indoor use (not outdoors) only.
- All modifications to the device will void the warranty.
- Repairs are to carry out by skilled personnel only.
- Use only fuses of the same type and original parts as spare parts.
- Protect the unit from rain and humidity to avoid fire and electric shocks.
- Make sure to unplug the power supply before opening the housing.

1.1. FOR SAFE AND EFFICIENT OPERATION

Be careful with heat and extreme temperature

Avoid exposing it to direct rays of the sun or near a heating appliance.
Not put it in a temperature bellow 32°F /0°C, or exceeding 104°F /40°C.

Keep away from humidity, water and dust

Do not place the set in a location with high humidity or lots of dust.
Containers with water should not be placed on the set.

Keep away from sources of hum and noise

Such as transformer motor, tuner, TV set and amplifier.

To avoid placing on un-stable location

Select a level and stable location to avoid vibration.

Do not use chemicals or volatile liquids for cleaning

Use a clean dry cloth to wipe off the dust, or a wet soft cloth for stubborn dirt.

If out of work, contact sales agency immediately

Any troubles arose, remove the power plug soon, and contact with an engineer for repairing, do not open the cabinet by yourself, it might result a danger of electric shock.

Take care with the power cable

Never pull the power cable to remove the plug from the receptacle, be sure to hold the plug. When not using the device for an extended period of time, be sure to disconnect the plug from the receptacle.

Important:

Damages caused by the disregard of this user manual are not subject to warranty. The dealer will not accept liability for any resulting defects or problems. Make sure the electrical connection is carried out by qualified personnel. All electrical and mechanical connections have to be carried out according to the European safety standards.

2. Designated use

This device was developed for professional use on stages, in discos, theatres etc. The device is only approved for a connection up to 230V 50/60 Hz AC voltage and only for indoor use. Regular breaks during operation increase the lifetime of your device.

Avoid convulsions or any form of forceful impact during the installation or the start-up of the device.

Make sure that the device is not exposed excessive heat, humidity or dust at the place of installation. Take care that no cables are lying around. You would endanger your own safety and also the safety of a third party.

It is not allowed to operate or store the device in an environment in which spray water, rain, humidity or fog is expected. Humidity or very high atmospheric humidity could reduce the isolation of the device and could cause deathly electric shocks. If you use fog devices the device has not be exposed to a direct smoke jet. There has to be a safety distance of at least 0,5m between this device and the fog machine. Make sure that the saturation of the fog has to enable a visibility of at least 10m.

The ambient temperature has to be between 0°C and +40°C. Avoid direct sunlight and close proximity to heaters. You have also to attend it during the transport in closed motor vehicles.

You have to attend that with an ambient temperature von 40°C it is not allowed that the relative humidity exceeds 50%.

Operate the device not during thunderstorms. Surge voltages could destroy the device. Unplug the power supply during thunderstorms.

During the installation the use of the mounting bracket is obligatory.

Surrounding objects or surfaces should not be in contact with the device.

Make sure that during the installation and removal of the device the area below the place of installation is basically cordoned off. This also applies to implementation of service.

The device has to be protected by a suitable safety cord.

Make familiar yourself with the functions of the device before start-up. People without the experience should not handle with the device. The most cause of functional disorder is inappropriate handling.

Do not use chemicals or volatile liquids for cleaning. Use a clean dry cloth to wipe off the dust, or a wet soft cloth for stubborn dirt.

For transport use the original packing or designated accessory to avoid damages during the transport.

For reasons of safety unauthorized changes are forbidden.

A usage of the device which differs from usages which are described in this manual can cause damages of the device. In that case the warranty expires. Additional you should notice that every differed usage is related with dangers and can cause e.g. an electrical short, fire, electric shock or crash.

2.1. Overhead installation



Danger of life!

You have to observe the regulations of BGV C1 (formerly VBG 70) and EN60598-2-17 Installations are to carry out by skilled personnel only.

The suspension devices have to be build and measured so they can withstand for an hour the tenfold of the payload without suffering a permanent detrimental deformation.

Basically installation has to be made by using a second separate suspension. This can be e.g. a suitable net. The second suspension must be designed and attached so no part of the installation can fall down in case of failure.

During construction, reconstruction and deconstruction unnecessary stay in the range of moving areas, on lightning bridges, under elevated work stations or any other danger zones is forbidden.

The operator is obliged to following safety-related and mechanical facilities:

- Before the first start-up or after critical changes before restarting it has to be checked by an expert.
- Review in the frame of the inspection test at least all four years by an expert. .
- Review by a qualified person at least once a year.

How to carry out the overhead installation:

In tidal fall you should install the device out of the lounge area of people

IMPORTANT! Overhead installation requires a high level of experience. This includes knowledge of calculating the payload, used installation material and safety inspections of the used material and the projector whereas the required experience is not limited to this. Do not try to carry out installation yourself under any circumstances if you are not qualified. Contact a professional installer. An inappropriate installation can lead to injuries and/or damaged properties.

It is not allowed to install the device in the grip area of people.

If the device may hang from the ceiling or from high beams, the use of truss systems is mandatory. The device may not be installed so it can swing freely in the room.

Please note: Crashing down items can cause serious injuries! Do not install the projector, if you doubt the safety of a possible installation form!

Before installation make sure that the mounting surface has the ability to carry the tenfold point load of the own weight of the device.

Mount the device with the mounting-bracket to your trussing system using an appropriate clamp.

During overhead installation the device must be always secured by a safety rope which is designed to hold the twelvefold weight of device. Only safety ropes with quick-release safety fastener elements may be used. Hang up the safety rope in the hole of the mounting bracket. Direct the rope over the truss or an appropriate fastening point. Hang up the end in the fastening element and tie up the locking nut. A safety rope once exposed to failing load or damaged may not be used furthermore.

The maximum drop exceed must not exceed 20cm.

A safety rope once exposed to failing load or damaged may not be used furthermore.
Adjust the desired inclination angle via the mounting bracket and tighten the screw.

3. Introduction

Thank you for buying the the LED Beambar 6. It is a powerful device.
 For a successful installation and operation, please read this manual carefully.

4. Connections

4.1. Electrical connections

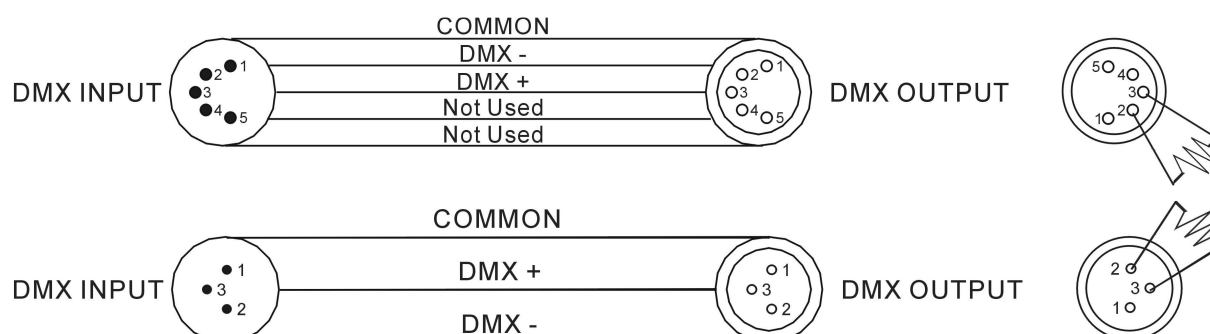
Cable (EU)	Cable (US)	Pin	International
Brown	Black	Live	L
Light blue	White	Neutral	N
Yellow/Green	Green	Earth	⊕

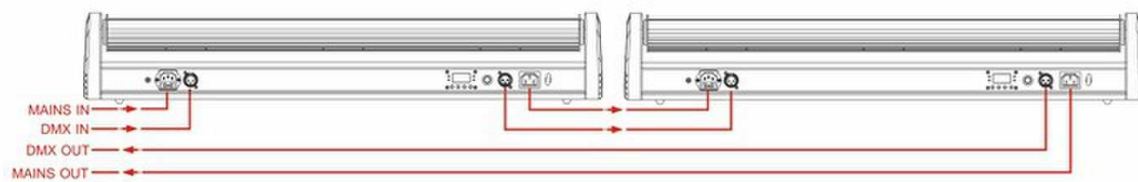
4.2. DMX connections

To make a DMX512 connection go ahead like it is described in the picture. Make sure that you use shielded cable. 3pole or 5pole XLR cables are suitable.
 Important! After the last device the line has to be terminated. In order to do this you have to solder a 120Ω resistor between the pins Data + and Data -. You can solder this end resistor on a 3pin or 5pin XLR: Plug this adapter into the DMX output of the device.

4.3. DMX connection with terminator

Where the DMX cable has to run a long distance or the equipment is operated in an electrically noisy environment like a disco for installations, we recommend using a DMX terminator. This prevents corruption of the digital control signal by electrical noise. The DMX terminator is simply an XLR connector with a 120 Ω resistor between pins 2 and 3, which is then plugged into the XLR output socket of the last device in the series. Please look to the bottom drawings.





5. Control

5.1. Overview



○,1 **Display:** To show the various menus and the selected functions

○,2 **LED:**

DMX	On	DMX input present
MASTER	On	Master Mode
SLAVE	On	Slave Mode

○,3 **Button:**

MENU	To select the programming functions
DOWN	To go backward in the selected functions
UP	To go forward in the selected functions
ENTER	To confirm the selected functions

○,4 **DMX input:** For DMX512 link, use 3-pin XLR plug cable to input DMX signal.

○,5 **DMX output:** For DMX512 link, use 3-pin XLR plug cable to link the next unit.

○,6 **Mains input:** Connect to supply mains power.

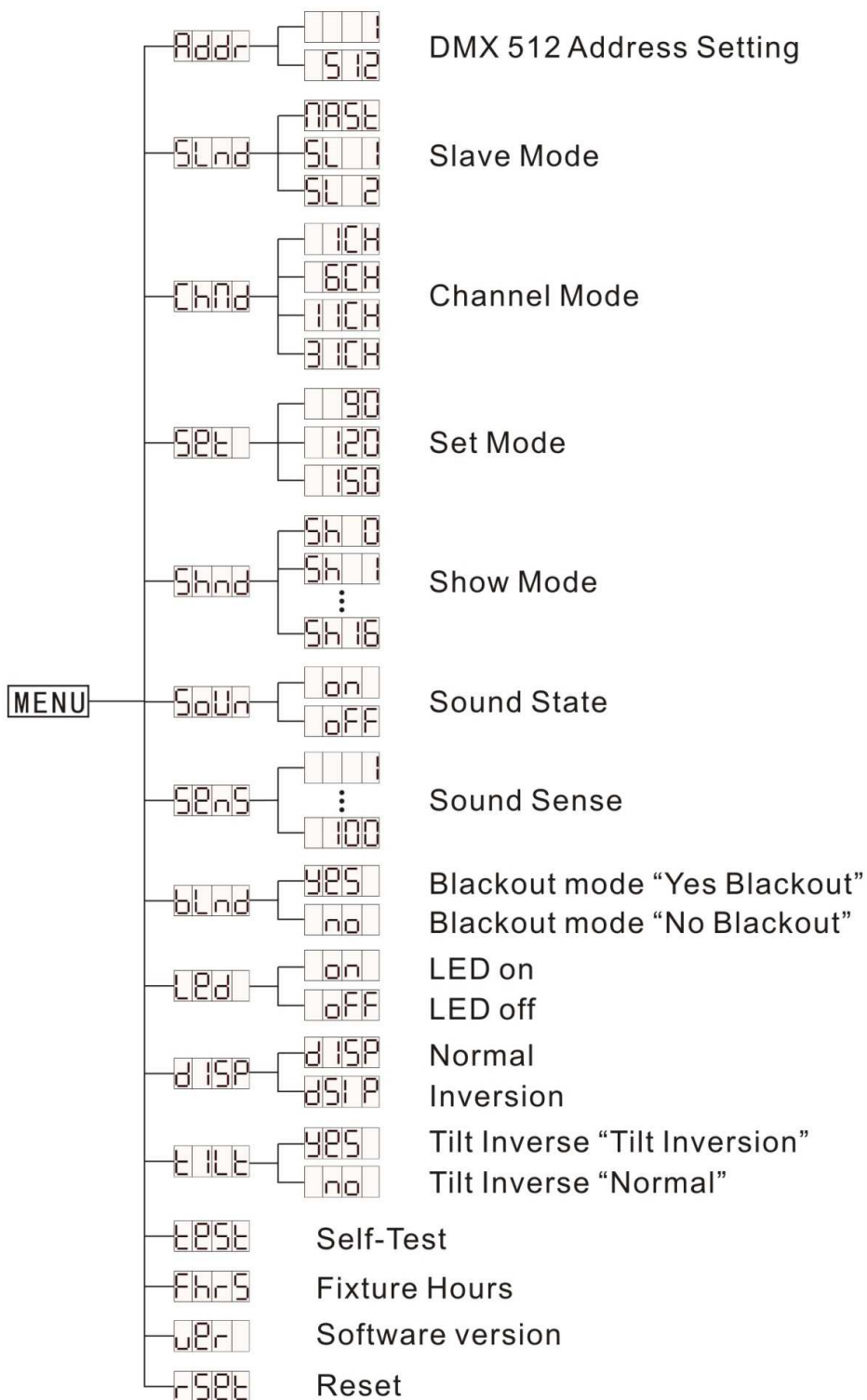
○,7 **Mains output:** Connect to supply mains power for the next unit.

5.2. Menu Options

Press Menu to enter the menu / go to the higher Menu Level

Press Enter to jump into the sub-menu / to confirm the selected parameter

Change the value by pressing the UP / DOWN button



6. DMX chart

1 channel mode:

Channel	Setting	
1	000 – 007	Blackout
	008 – 024	Show 1
	025 – 041	Show 2
	042 – 058	Show 3
	059 – 075	Show 4
	076 – 092	Show 5
	093 – 109	Show 6
	110 – 126	Show 7
	127 – 143	Show 8
	144 – 160	Show 9
	161 – 177	Show 10
	178 – 194	Show 11
	195 – 211	Show 12
	212 – 228	Show 13
	229 – 245	Show 14
246 - 255	Show 15	

6 channel mode:

Channel	Setting	
1	0 – 255	Tilt Movement 30° - 210°
2	001 – 007	No function
	008 – 043	Tilt Movement macro 60 – 120°
	044 – 079	Tilt Movement macro 45 – 135°
	080 – 115	Tilt Movement macro 30 – 150°
	116 – 151	Tilt Movement macro 0 – 180°
	152 – 187	Tilt Movement macro -30 – 210°
	188 – 223	Tilt Movement macro 0 – 90°
	224 – 255	Tilt Movement macro 90 – 180°
3	0 – 255	Tilt movement macro speed
4	0 – 255	Master dimmer
5	0 – 255	Master strobe
6	000 – 007	LED blackout
	008 – 022	LED chase 1 / slow to fast
	023 – 037	LED chase 2 / slow to fast
	038 – 052	LED chase 3 / slow to fast
	053 – 067	LED chase 4 / slow to fast
	068 – 082	LED chase 5 / slow to fast
	083 – 097	LED chase 6 / slow to fast
	098 – 112	LED chase 7 / slow to fast
	113 – 127	LED chase 8 / slow to fast
	128 – 142	LED chase 9 / slow to fast
	143 – 157	LED chase 10 / slow to fast
	158 – 172	LED chase 11 / slow to fast
	173 – 187	LED chase 12 / slow to fast
	188 – 202	LED chase 13 / slow to fast
	203 – 217	LED chase 14 / slow to fast
	218 – 232	LED chase 15 / slow to fast
233 – 247	LED chase 16 / slow to fast	
248 – 255	Stand alone	

11 channel mode:

Channel	Setting	
1	0 – 255	Tilt Movement 30° - 210°
2	001 – 007	No function
	008 – 043	Tilt Movement macro 60 – 120°
	044 – 079	Tilt Movement macro 45 – 135°
	080 – 115	Tilt Movement macro 30 – 150°
	116 – 151	Tilt Movement macro 0 – 180°
	152 – 187	Tilt Movement macro -30 – 210°
	188 – 223	Tilt Movement macro 0 – 90°
	224 – 255	Tilt Movement macro 90 – 180°
3	0 – 255	Tilt movement macro speed
4	0 – 255	LED 1 – 6 red dimmer
5	0 – 255	LED 1 – 6 green dimmer
6	0 – 255	LED 1 – 6 blue dimmer
7	0 – 255	LED 1 – 6 white dimmer
8	0 – 255	Master dimmer
9	0 – 255	Master strobe
10	000 – 007	LED blackout
	008 – 022	LED chase 1
	023 – 037	LED chase 2
	038 – 052	LED chase 3
	053 – 067	LED chase 4
	068 – 082	LED chase 5
	083 – 097	LED chase 6
	098 – 112	LED chase 7
	113 – 127	LED chase 8
	128 – 142	LED chase 9
	143 – 157	LED chase 10
	158 – 172	LED chase 11
	173 – 187	LED chase 12
	188 – 202	LED chase 13
	203 – 217	LED chase 14
	218 – 232	LED chase 15
233 – 247	LED chase 16	
248 – 255	Stand alone	

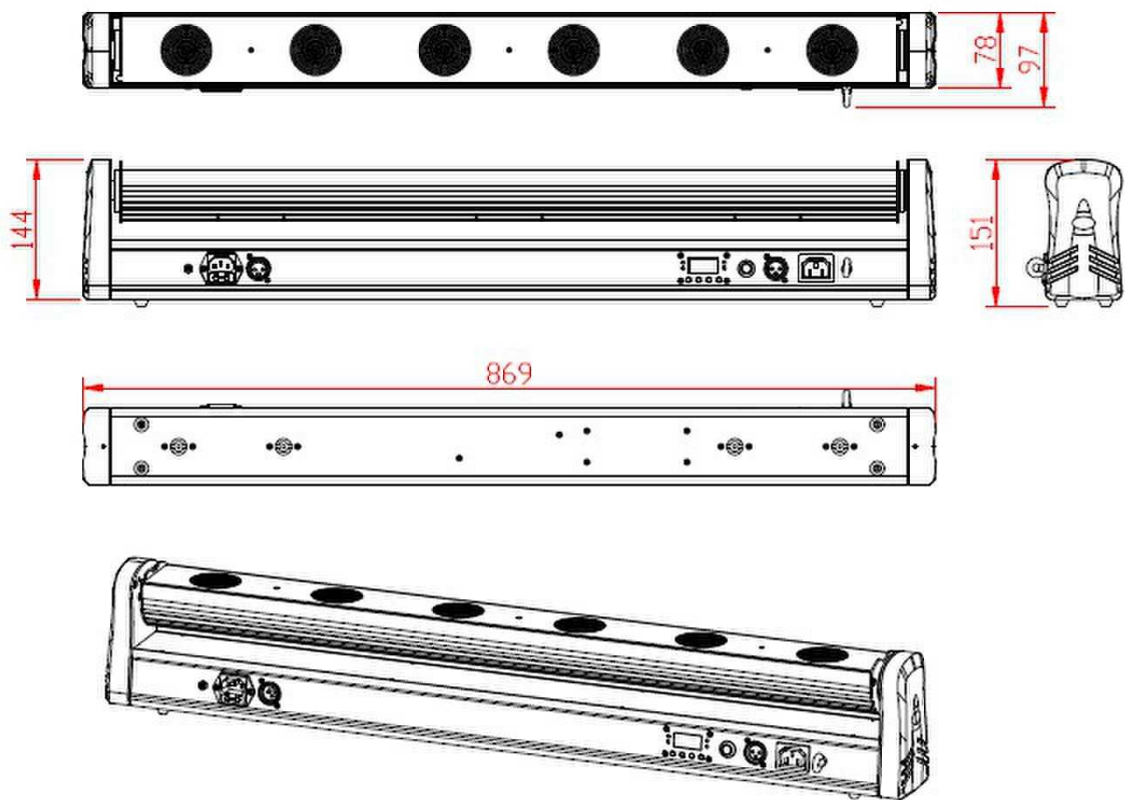
Channel	Setting	
11	0 – 255	LED chase speed slow to fast

31 channel mode

Channel	Setting	
1	0 – 255	Tilt Movement 30° - 210°
2	001 – 007	No function
	008 – 043	Tilt Movement macro 60 – 120°
	044 – 079	Tilt Movement macro 45 – 135°
	080 – 115	Tilt Movement macro 30 – 150°
	116 – 151	Tilt Movement macro 0 – 180°
	152 – 187	Tilt Movement macro -30 – 210°
	188 – 223	Tilt Movement macro 0 – 90°
	224 – 255	Tilt Movement macro 90 – 180°
3	0 – 255	Tilt movement macro speed
4	0 – 255	LED 1 red dimmer
5	0 – 255	LED 1 green dimmer
6	0 – 255	LED 1 blue dimmer
7	0 – 255	LED 1 white dimmer
	...	
28	0 – 255	Master dimmer
29	0 – 255	Master strobe
30	000 – 007	LED blackout
	008 – 022	LED chase 1
	023 – 037	LED chase 2
	038 – 052	LED chase 3
	053 – 067	LED chase 4
	068 – 082	LED chase 5
	083 – 097	LED chase 6
	098 – 112	LED chase 7
	113 – 127	LED chase 8
	128 – 142	LED chase 9
	143 – 157	LED chase 10
	158 – 172	LED chase 11
	173 – 187	LED chase 12
188 – 202	LED chase 13	

Channel	Setting	
	203 – 217	LED chase 14
	218 – 232	LED chase 15
	233 – 247	LED chase 16
	248 – 255	Stand alone
31	0 – 255	LED chase speed slow to fast

7. Technical data



Input Voltage	AC100V~240V 50/60Hz
Power consumption	100 W
LEDs	6 x 15W OSRAM LED RGBW 4 in 1
Dimensions	869 x 97 x 151 mm
Weight	5.2 kg

Importer:

B & K Braun GmbH

Industriestraße 2

D-76307 Karlsbad

www.bkbraun.com

info@bkbraun.com

