

ETC[®] User Manual Supplement

Source Four[®] 14°, 70°, 90° Lens Tube Configuration



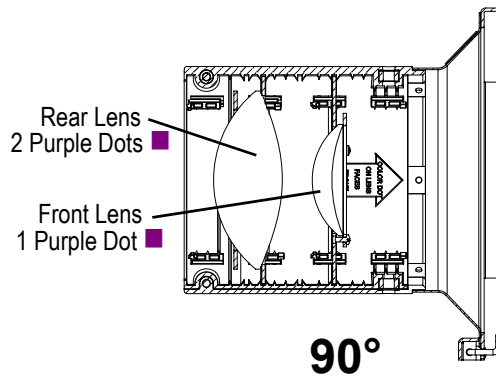
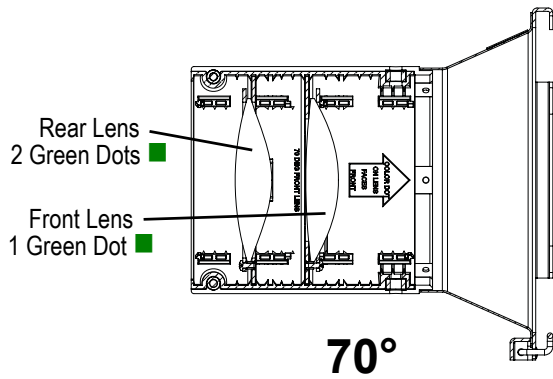
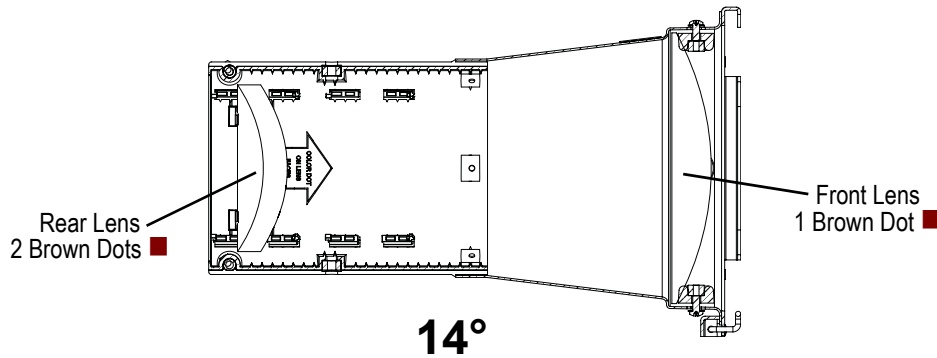
These instructions apply to assembly of the Source Four 14°, 70°, and 90° lens tubes only. These are different from the standard Source Four lens tubes and the lenses, castings, and formed metal parts are not interchangeable between the two.



Note: *The information in this document supersedes information in the **Source Four User Manual** and the **Source Four Assembly Guide**. When assembling your 14°, 70°, or 90° lens tube refer to this document for lens identification and placement.*

Lens Positions

Align lens dots toward this end



For maximum gel life with specific lens tubes refer to the table below:

| Lens Tube | Soft Focus Back (Lamp "flat") | Sharp Focus (Lamp "cosine") | Soft Focus Forward (Lamp "peak") | Soft Focus Forward (Lamp "cosine") |
|--|----------------------------------|--------------------------------|-------------------------------------|---------------------------------------|
| 14° | X | ◆ | ○ | ◆ |
| 70° | ○ | ◆ | X | ◆ |
| 90° | ○ | ◆ | ◆ | X |
| ○ = Best Gel Life ◆ = Good Gel Life X = Worst Gel Life | | | | |



Corporate Headquarters ■ 3031 Pleasant View Road, P.O. Box 620979, Middleton, Wisconsin 53562-0979 USA ■ Tel +608 831 4116 ■ Fax +608 836 1736
 London, UK ■ Unit 26-28, Victoria Industrial Estate, Victoria Road, London W3 6UU, UK ■ Tel +44 (0)20 8896 1000 ■ Fax +44 (0)20 8896 2000
 Rome, IT ■ Via Ennio Quirino Visconti, 11, 00193 Rome, Italy ■ Tel +39 (06) 32 111 683 ■ Fax +39 (06) 32 656 990
 Holzkirchen, DE ■ Ohmstrasse 3, 83607 Holzkirchen, Germany ■ Tel +49 (80 24) 47 00-0 ■ Fax +49 (80 24) 47 00-3 00
 Hong Kong ■ Room 605-606, Tower III Enterprise Square, 9 Sheung Yuet Road, Kowloon Bay, Kowloon, Hong Kong ■ Tel +852 2799 1220 ■ Fax +852 2799 9325
 Service: (Americas) service@etcconnect.com ■ (UK) service@etcconnect.com ■ (DE) techserv-hoki@etcconnect.com ■ (Asia) service@etcconnect.com
 Web: www.etcconnect.com ■ Copyright © 2005 ETC. All Rights Reserved. ■ Product information and specifications subject to change.
 7060M2501 ■ Rev A ■ Released 06/2006