

Owner's Manual

This manual contains important instructions for the safe operation of the unit. Read and follow all safety notes and all instructions. Keep the manual for future reference. If you sell the unit, please make sure that the buyer also receives this manual.

Safety instructions

Bestimmungsgemäßer Gebrauch

This device is used for the stringing of string instruments. Any other use or use under other operating conditions is considered to be improper and may result in personal injury or property damage. No liability will be assumed for damages resulting from improper use.

Danger for children



Ensure that plastic bags, packaging, etc. are disposed of properly and are not within reach of babies and young children. Choking hazard! Ensure that children do not detach any small parts (e.g. knobs or the like) from the unit. They could swallow the pieces and choke! Never let children unattended use electrical devices.

Incorrect handling of lithium batteries can result in injury



Incorrect handling in the event of a short circuit, overheating or mechanical damage, lithium batteries can cause severe injuries. Observe the instructions of the battery manufacturer for proper handling of lithium batteries.

Danger of pinching



While cutting the strings, keep a safe distance from the blade.

Operating location

Do not ever use this product

- in direct sunlight
- in conditions of extreme temperature or humidity
- in extremely dusty or dirty places
- in locations where the device may get wet
- in the vicinity of magnetic fields

General handling

- to prevent damage, do not exert force on the device while operating the controls.
- do not immerse the unit in water. Wipe only with a clean and dry cloth. Do not use liquid cleaners such as benzene, thinners or flammable cleaning agents.

Keep the device away from impurities!

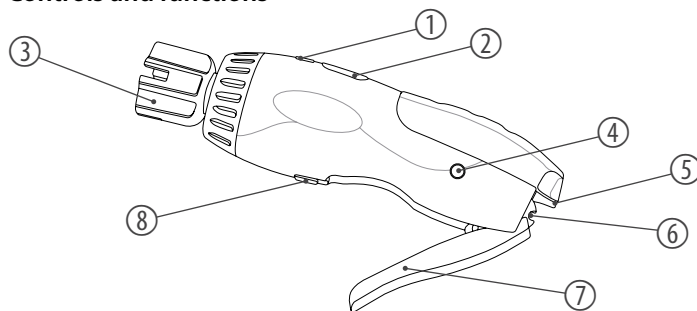
Keep the device away containers with liquid. Should liquid fall into the unit, this could lead to its destruction or fire. Be aware that no metallic parts come inside the device.

Features

- Motorized String Winder, String Cutter and Bridge Pin Remover for classical guitars, acoustic guitars, electric guitars, basses, double basses, ukuleles, banjos and mandolins
- Protected battery against overload and overheating

- Elegant and compact design
- Blade made of tempered special steel
- Chargeable via USB charging adapter or power supply [5 V \square , 600 mA] (not included)

Controls and functions



- 1 Direction selector lever
- 2 On/off switch
- 3 Accommodation for the mechanical components
- 4 Connection for power supply or USB cable
- 5 Bridge Pin remover
- 6 Blade to shorten strings
- 7 Lever
- 8 Ejector

Operating the device

1. Place the device on a suitable working surface.
2. Set the desired direction on the direction selector lever. Insert the mechanical components into the accommodation. Hold down the on/off and carefully loosen the strings.

! Always change a string after another. This maintains the tension of the instrument whereas it remains in tune.

3. Put on the notch of the bridge pin remover below the pins, prise this out carefully and remove the string.

! If the pin does not sit exactly in the notch of the Bridge Pin Remover, it might cause damage to the bridge or the Stringwinder when prising out the strings.

4. Put the new string to the end of the bridge and fix it with the pin. Tighten the string so that it hooks under the cover.
5. Rotate the mechanism until the hole is transversely situated to the neck and then thread the string there from the inside out. The string should be loosely tensioned here.
6. Set the desired direction on the direction selector lever. Insert the mechanical components into the accommodation. Hold down the on / off switch and carefully fix the strings.
7. Push the ejector backwards and open the lever.
8. Insert the superfluent part of the string into the blade and pinch it off by pressing the lever.

Technical specifications

Rotational speed: 180 ... 220 rpm
Torque: 1,8 kg-cm
Length: 15,8 cm

Weight: 150 g
Battery: 750 mA lithium-ion battery



For the packaging, environmentally friendly materials have been chosen that can be supplied to normal recycling. Ensure that plastic bags, packaging, etc. are properly disposed of. Do not just dispose of these materials with your normal household waste, but make sure that they are collected for recycling. Please follow the notes and markings on the packaging.



This product is subject to the European Waste Electrical and Electronic Equipment Directive (WEEE) in its currently valid version. Do not dispose with your normal household waste. Dispose of this device through an approved waste disposal firm or through your local waste facility. When discarding the device, comply with the rules and regulations that apply in your country. If in doubt, consult your local waste disposal facility.



Batteries do contain some hazardous chemicals so they should not be thrown away with the normal household waste. They should be returned to the manufacturer for disposal or recycled elsewhere in accordance with your local regulations. Before disposing of the device remove the lithium batteries. Protect used lithium batteries against potential short circuits, e.g. by covering the poles with adhesive tape.