

This user manual contains important information on the safe operation of the device. Read and follow all safety notes and all instructions. Save this manual for future reference. If you pass the device to another person, please pass the user manual with it.

Safety instructions

Intended use

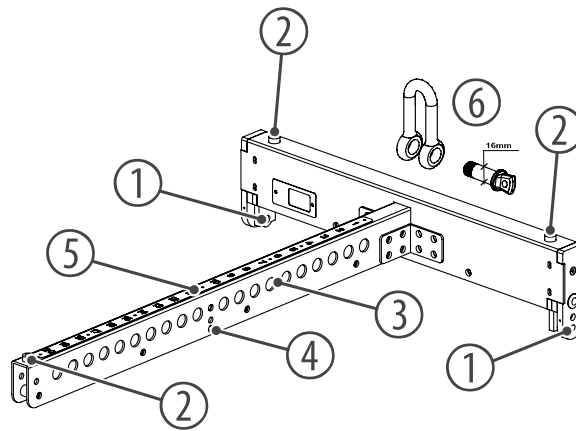
This component is intended exclusively for the use in combination with "the box A 8 LA Line Array" components. Any other use or use under other operating conditions is considered to be improper and may result in personal injury or property damage. No liability will be assumed for damages resulting from improper use.

Danger for children



Ensure that plastic bags, packaging, etc. are properly disposed of and are not in the reach of babies and young children. Choking hazard! Ensure that children do not detach any small parts (e.g. knobs or the like) from the product. They could swallow the pieces and choke! Never let children play unattended with the electrical devices.

Operating the device



- 1: Bores for locking pin at the front side of the Line Array device
- 2: Thread (M10) for attaching standard screw feet for stack mounting
- 3: Clearance bores
- 4: Bores for locking pin at the rear side of the Line Array device
- 5: Numbering of the clearance bores
- 6: 16 mm shackle, optionally available as accessory (item number 323399)

Dimensions (B × H × T): 67 mm × 83 mm × 499 mm

Weight: 7.5 kg

Max. load capacity: 680 kg at an angle of 0°

Safety factor: 10:1 for up to 12 devices

Notes for installation and operation you will find in the user manual which is attached to the speakers. Further information you will find under:

www.thomann.de

The flying frame can be used in flying operation and also, turned by 180° upside down, as a framework for positioning of a device on the floor.



For the packaging, environmentally friendly materials have been chosen that can be supplied to normal recycling. Ensure that plastic bags, packaging, etc. are properly disposed of. Do not just dispose these materials with your normal household waste, but make sure that they are fed to a recovery. Please follow the notes and markings on the packaging.



This product is subject to the European Waste Electrical and Electronic Equipment Directive (WEEE) in its currently valid version. Do not dispose with your normal household waste. Dispose this device through an approved waste disposal firm or through your local waste facility. When discarding the unit, comply with the rules and regulations that apply in your country. If in doubt, consult your local waste disposal facility.