

Millenium

Desktop Monitor Stand DM4

User manual

This manual contains important information on the safe operation of the product. Read and follow the safety advice and instructions given. Retain the manual for future reference. If you pass the product on to others please include this manual.

Safety instructions

Intended use

This device is used to set up and align speaker boxes. Any other use or use under other operating conditions is considered to be improper and may result in personal injury or property damage. No liability will be assumed for damages resulting from improper use.

Danger for children



Ensure that plastic bags, packaging, etc. are disposed of properly and are not within reach of babies and young children. Choking hazard! Ensure that children do not detach any small parts from the product. They could swallow the pieces and choke! Never let children unattended use electrical devices.

Where to use the product

Never use the product

- in conditions of extreme temperature or humidity
- in extremely dusty or dirty areas
- at locations where the unit can become wet

General handling

- To prevent damage, never use force when handling the product.
- Never immerse the product in water. Just wipe it with a clean dry cloth. Do not use liquid cleaners such as benzene, thinners or flammable cleaning agents.

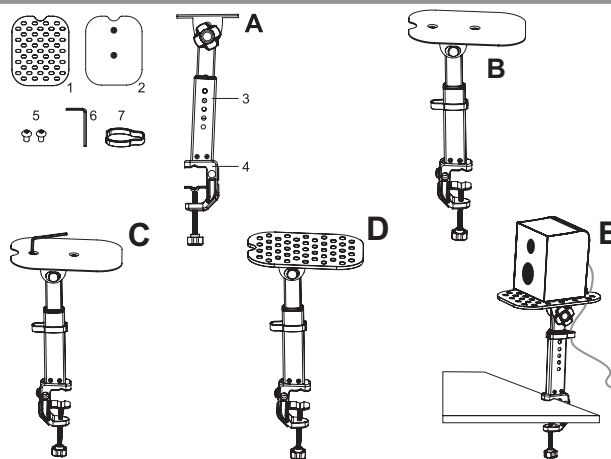
Features

- The speaker plate is 4-way height-adjustable and allows adjusting the dispersion angle of the speaker (± 10 degrees)

- Cable management
- For tabletop clamp mounting (maximum clamping range 55mm)

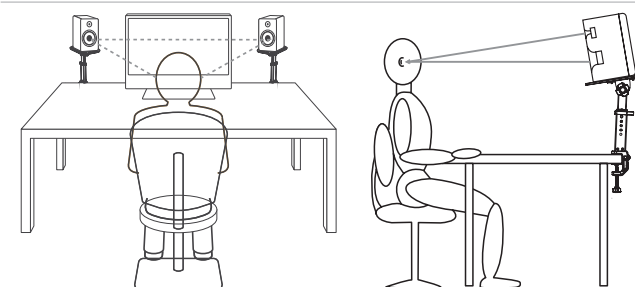
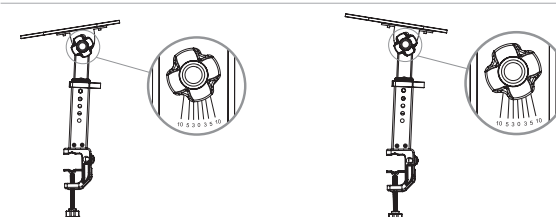
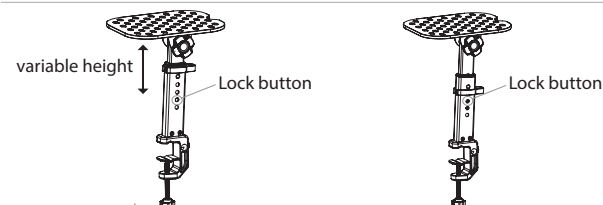
Set-up

- A) First make sure the scope of delivery is complete:
- | | | |
|-----------------|-----------------------|----------------|
| 1) Rubber mat | 2) Speaker plate | 3) Support arm |
| 4) Screw clamp | 5) Hexagon bolt (2 x) | |
| 6) Allen wrench | 7) Cable clamp | |
- B) Attach the cable clamp (7) to the support arm and place the speaker plate (2) on top of the support arm.
- C) Secure it with 2 x hex bolts at the top of the support arm. Tighten the screws with the Allen wrench.
- D) Place the rubber mat on the speaker plate.
- E) Attach the screw clamp (4) to the table top. Place the monitor on the plate (2). Thread the speaker cable through the cable clamp and, if necessary, through the recess in the rear end of the plate.



Adjustment and alignment

- 1) Press the lock button and set the speaker plate to the desired height. The speaker box is in optimal position when the loudspeaker (s) are at the level of the user's ears.
- 2) If this can not be achieved, you can vary the angle of the speaker plate so that the speakers emit in the direction of the user's ears.
- 3) To do this, loosen the rotary knob and set the desired angle between $\pm 10^\circ$. Tighten the knob again and proceed with the second stand accordingly. Both should have the same angle. In each case, orient yourself on the scale below the rotary knob.
- 4) Place the stands with the speakers so that they form an equilateral triangle with the user and the speakers emit directly towards the user's ears.



Technical specifications

Height	235 – 280 mm
Dimensions speaker plate (W x D)	180 – 220 mm
Max. angle	$\pm 10^\circ$
Load capacity	15 kg (max.)
Weight	1.45 kg



For the transport and protective packaging, environmentally friendly materials have been chosen that can be supplied to normal recycling. Ensure that plastic bags, packaging, etc. are properly disposed of. Do not just dispose of these materials with your normal household waste, but make sure that they are collected for recycling. Please follow the notes and markings on the packaging.

- ! The plasticiser contained in the rubber mat of this product may possibly react with the contact surface of the loudspeaker box and after some time cause permanent dark stains there. In case of doubt, do not let the rubber mat get in direct contact with the speaker box surface and use felt pads.