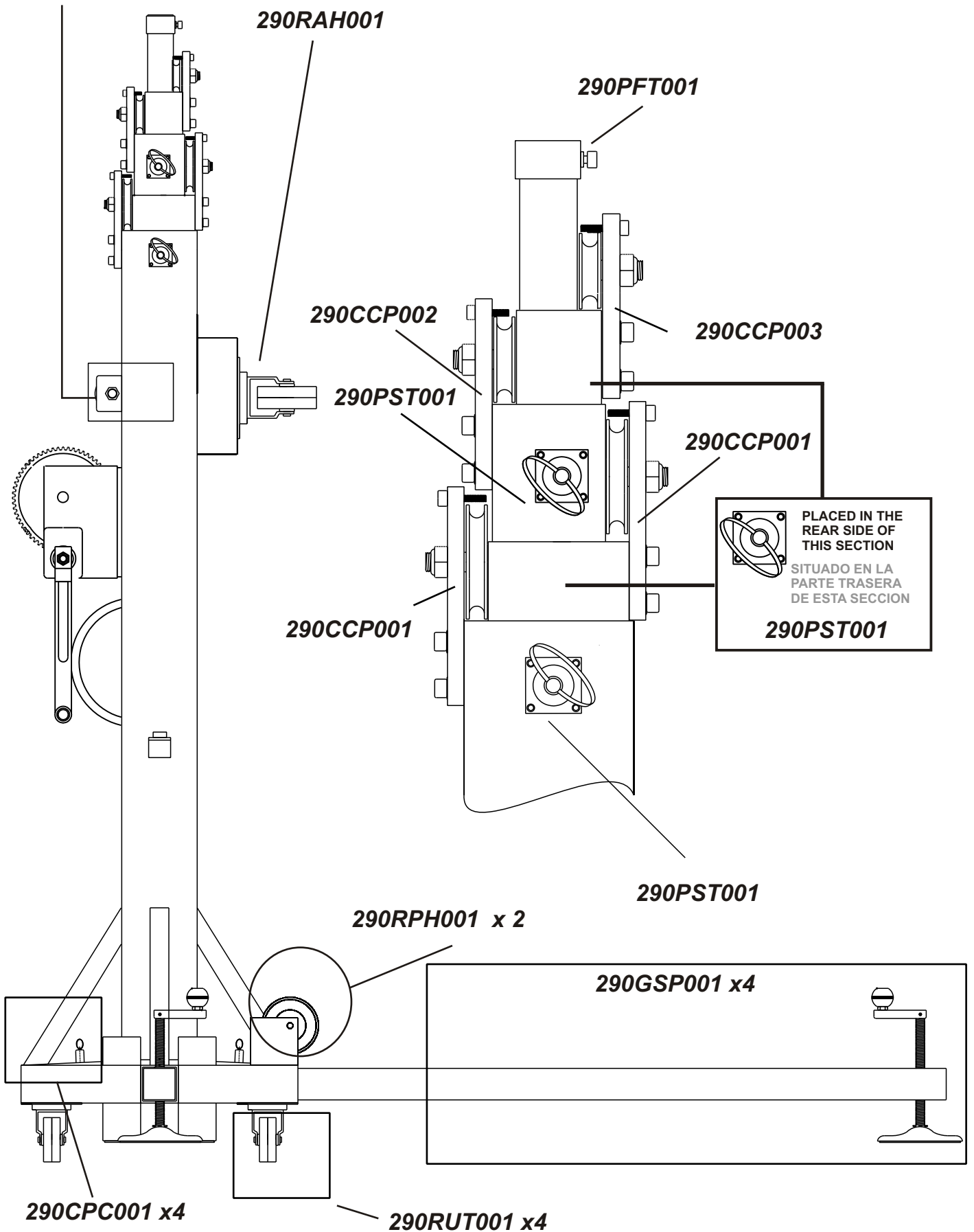
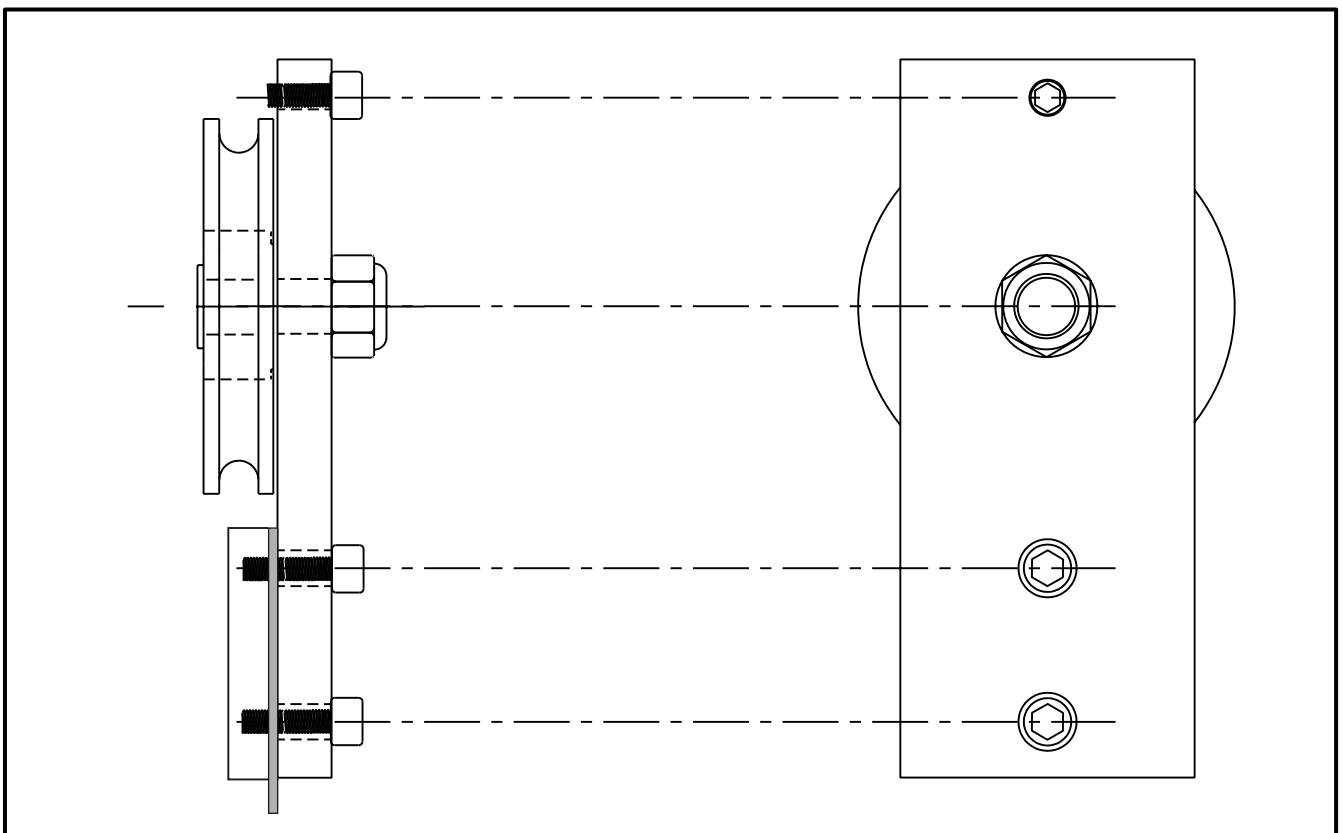
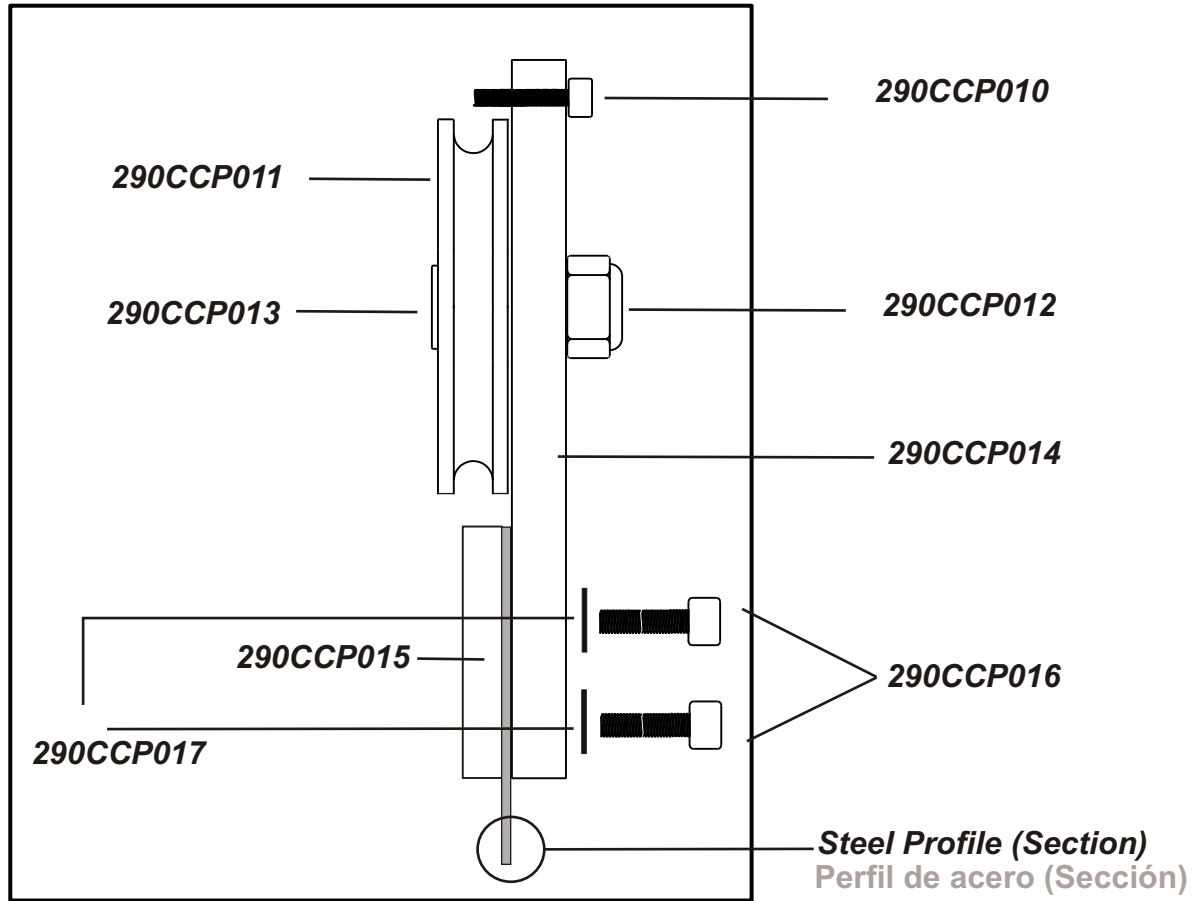


LIFTING TOWER / TORRE ELEVADORA LW 290 R

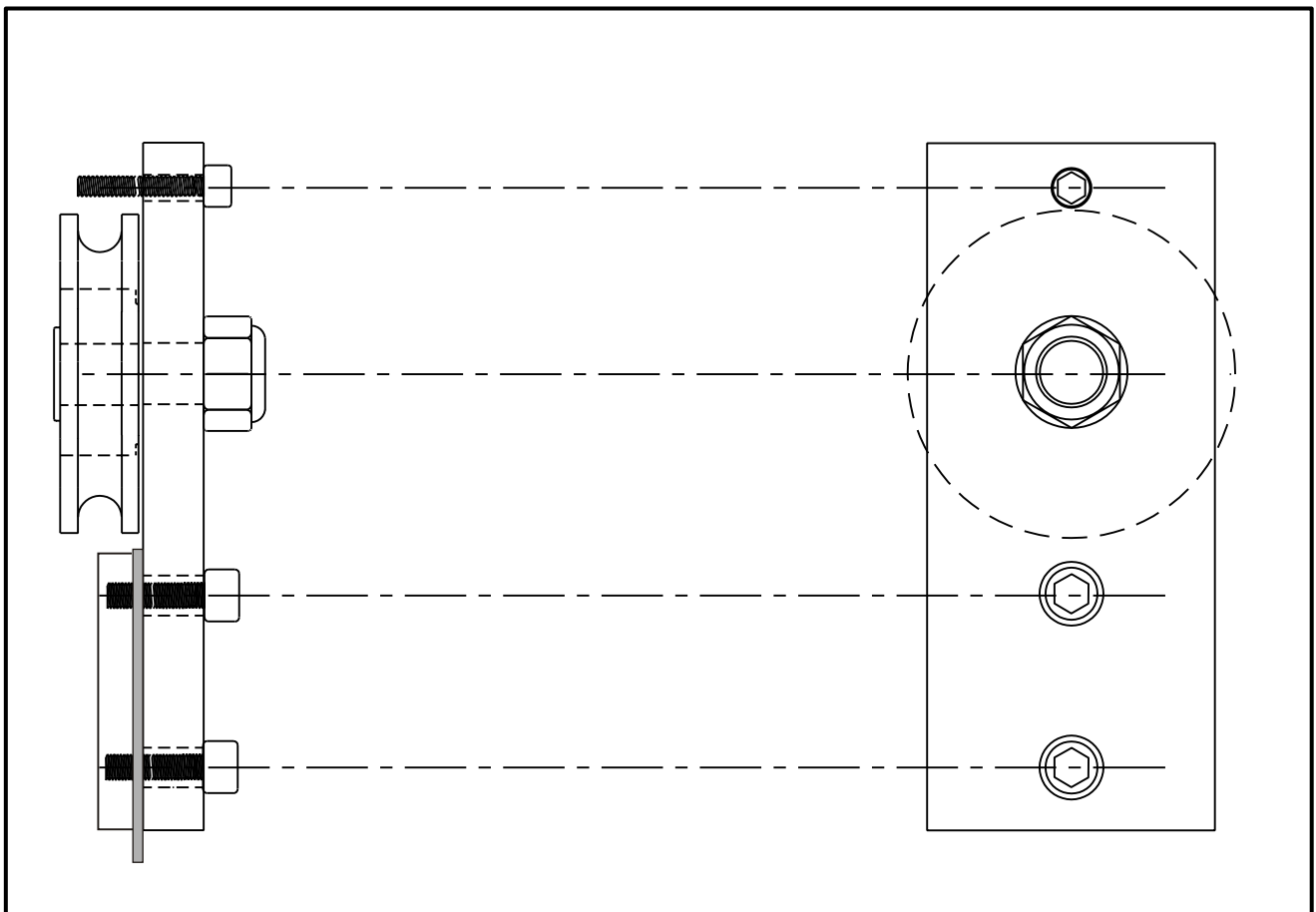
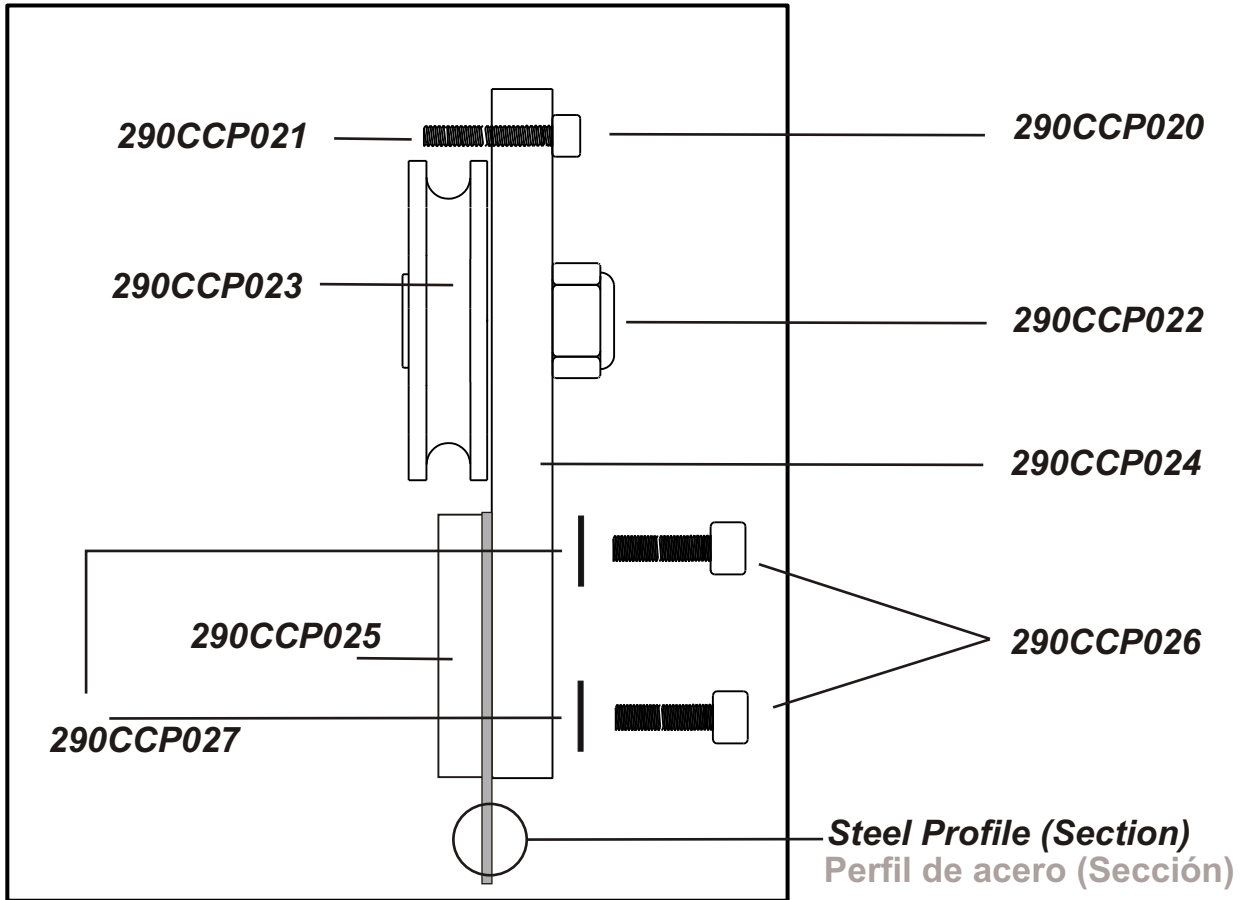
290PGC001



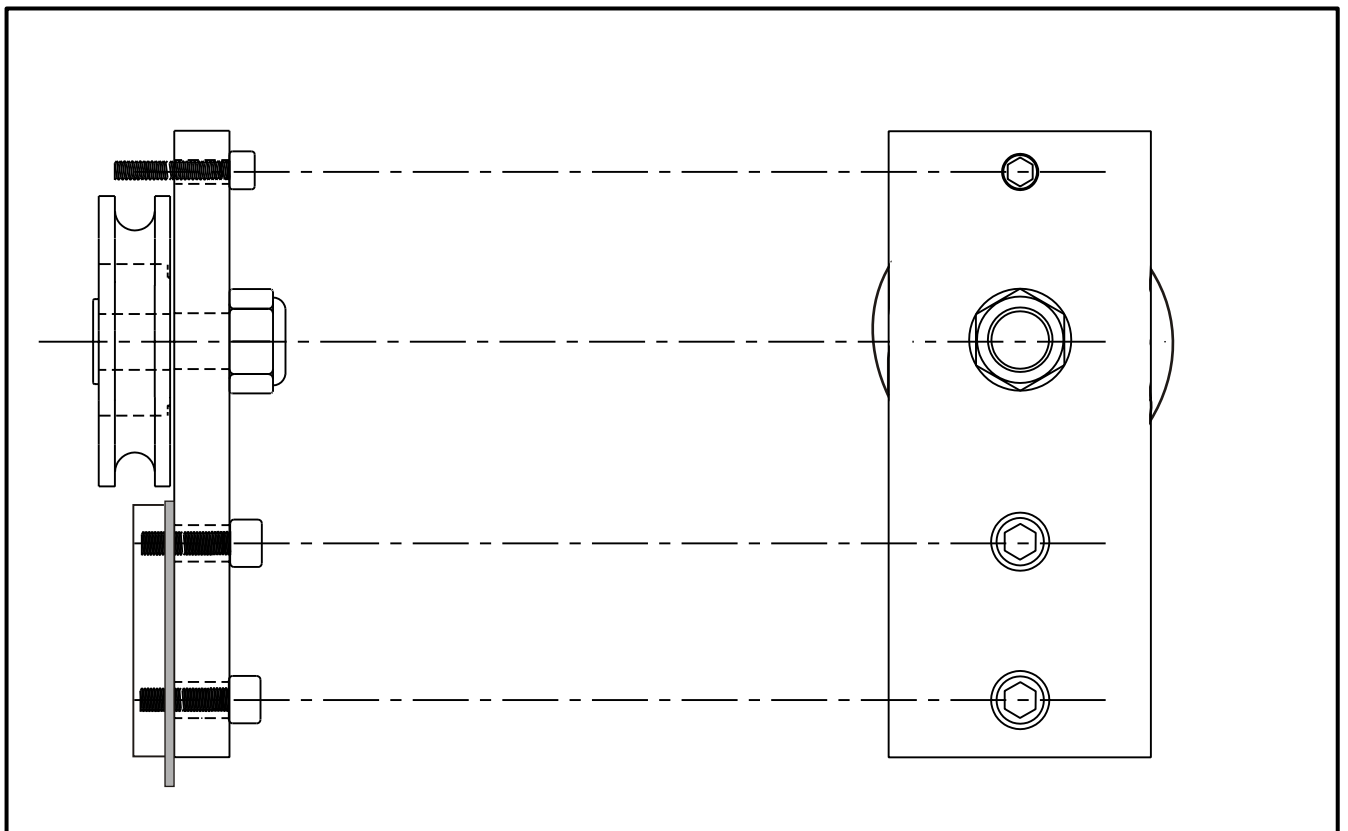
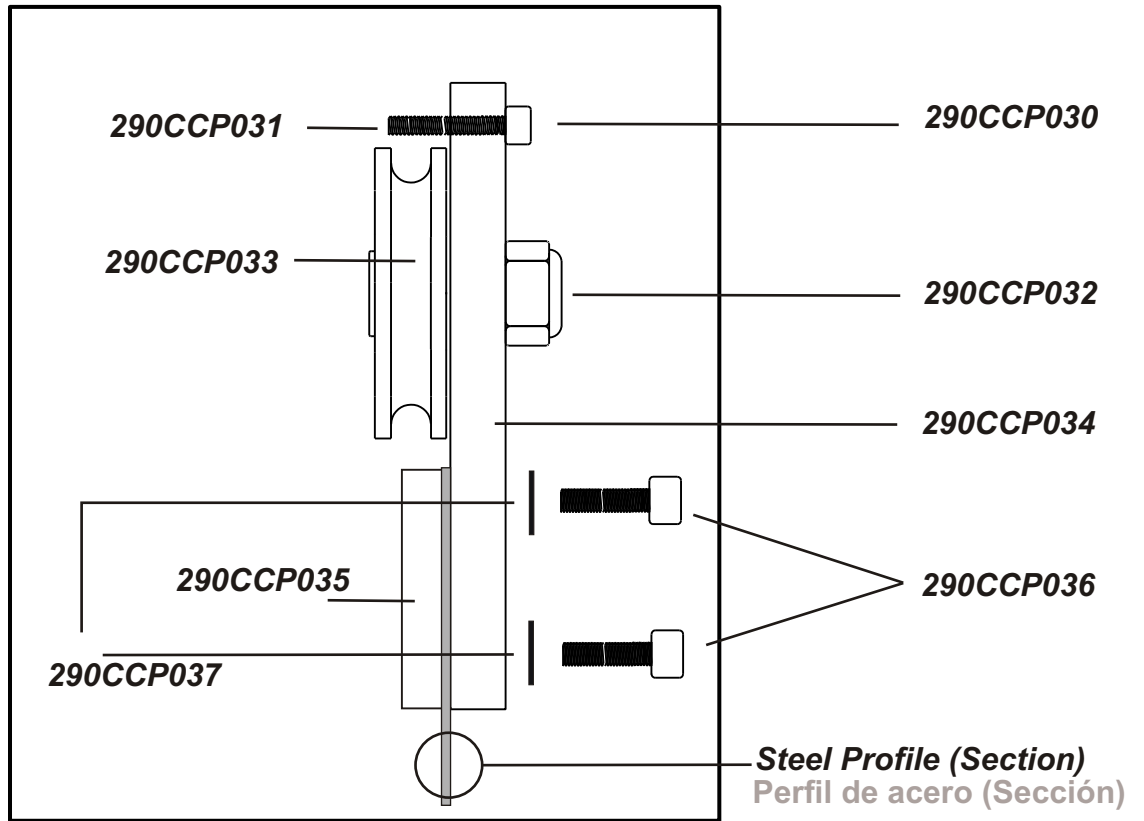
290CCP001



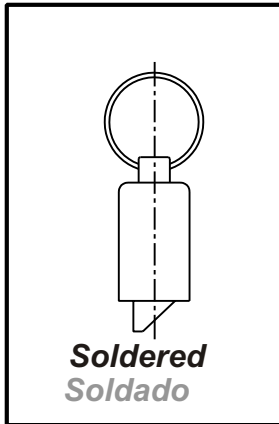
290CCP002



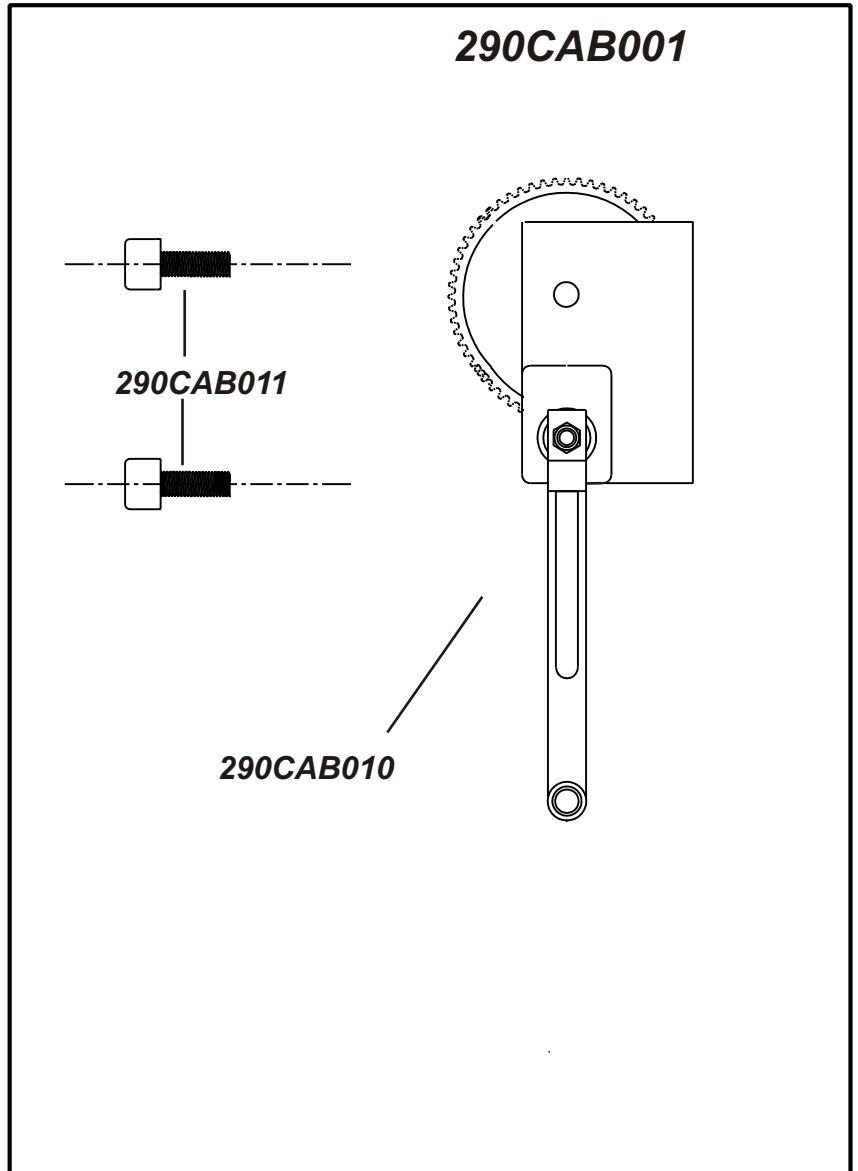
290CCP003



290GSP001



290CAB001



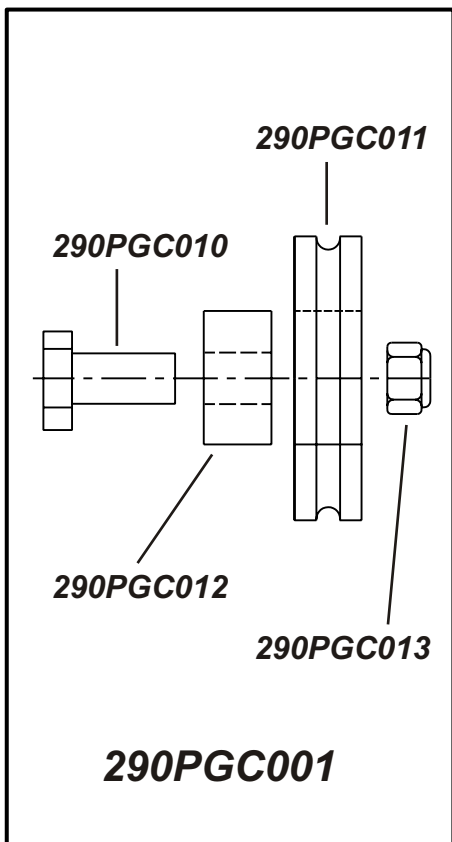
290PGC011

290PGC010

290PGC012

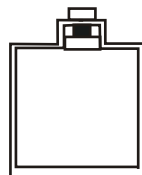
290PGC013

290PGC001



Upside View
Vista Superior

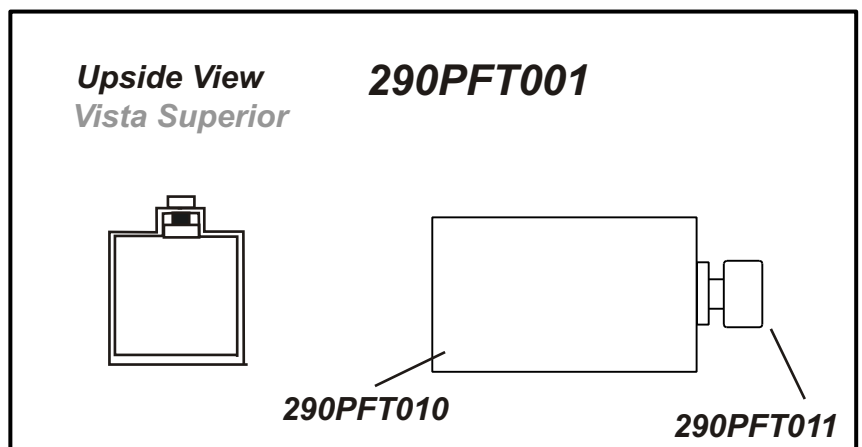
290PFT001



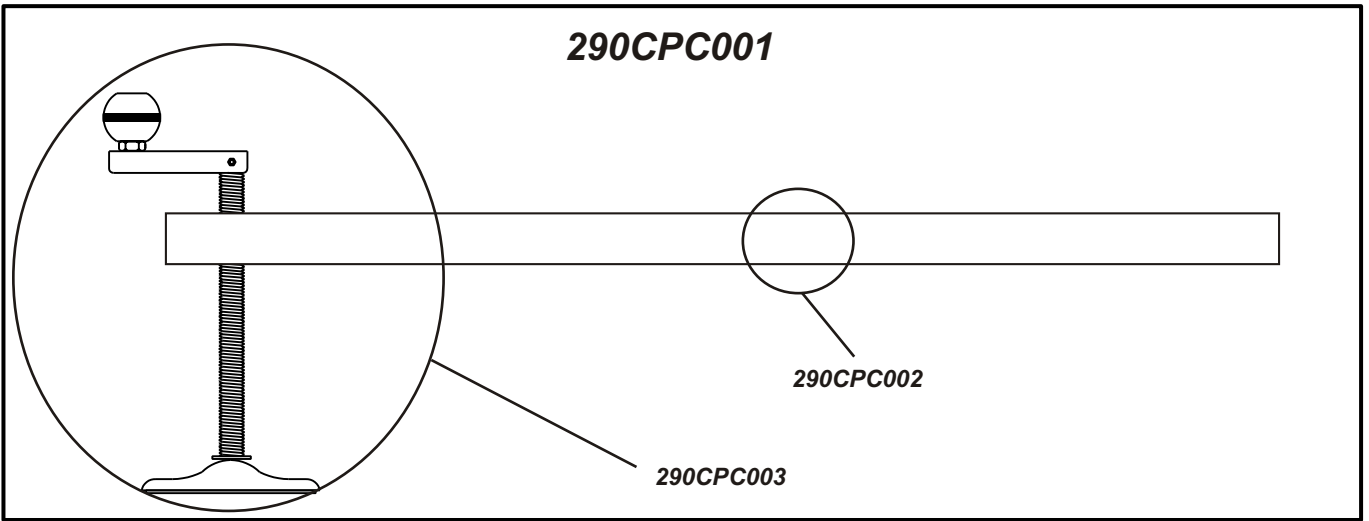
290PFT010



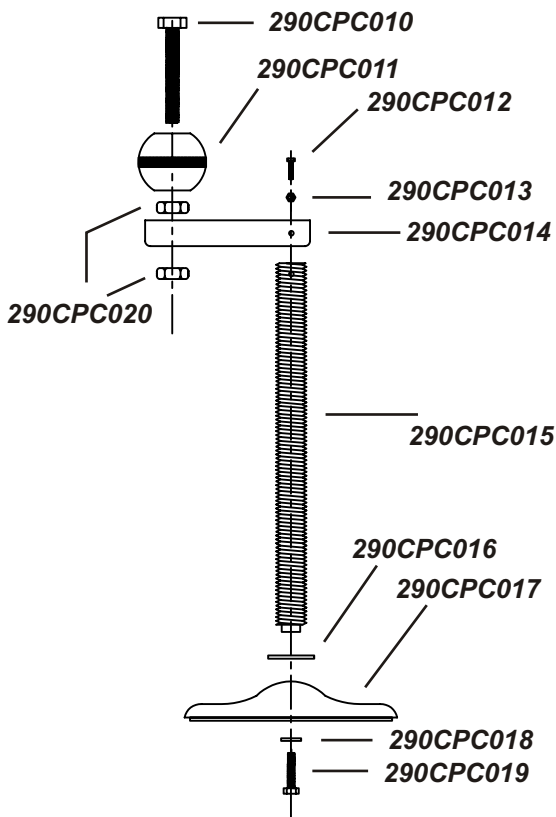
290PFT011



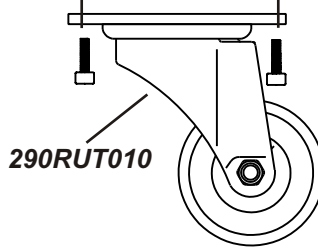
290CPC001



290CPC003

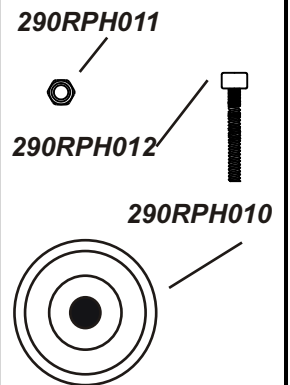


290RUT011

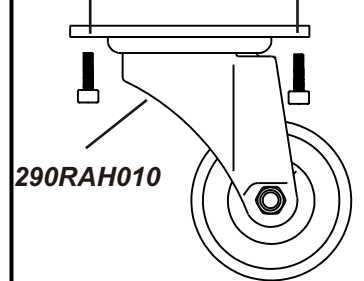


290RUT001

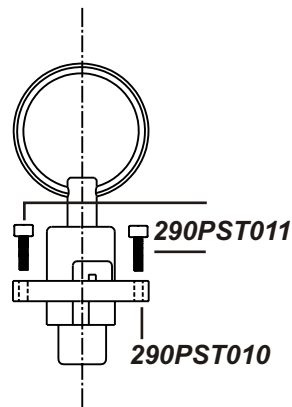
290RPH001



290RAH011

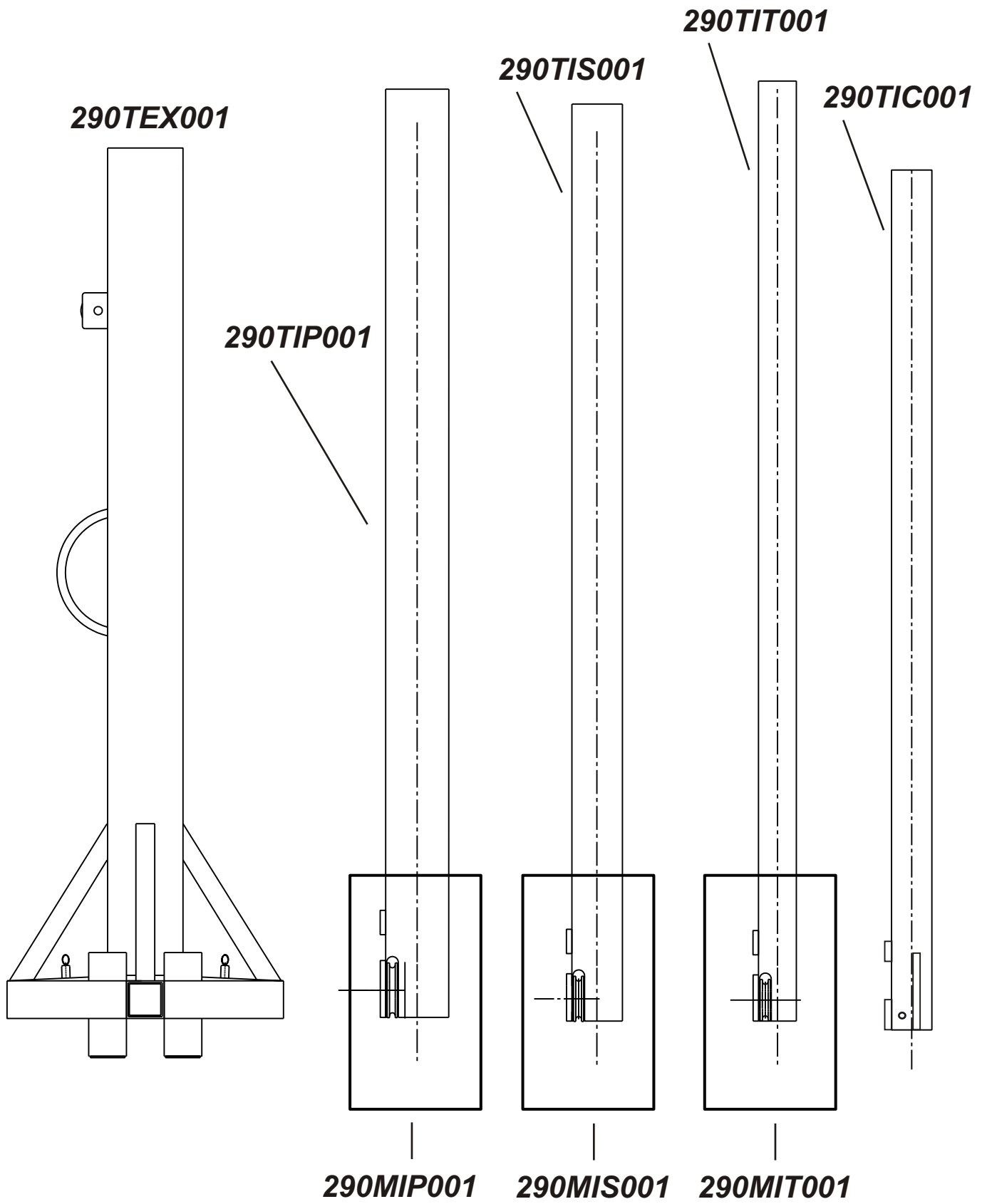


290RAH001

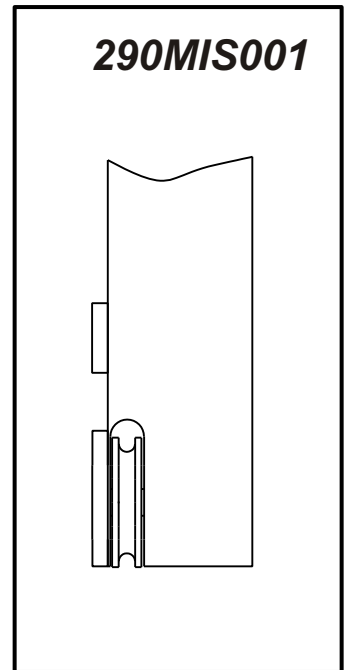
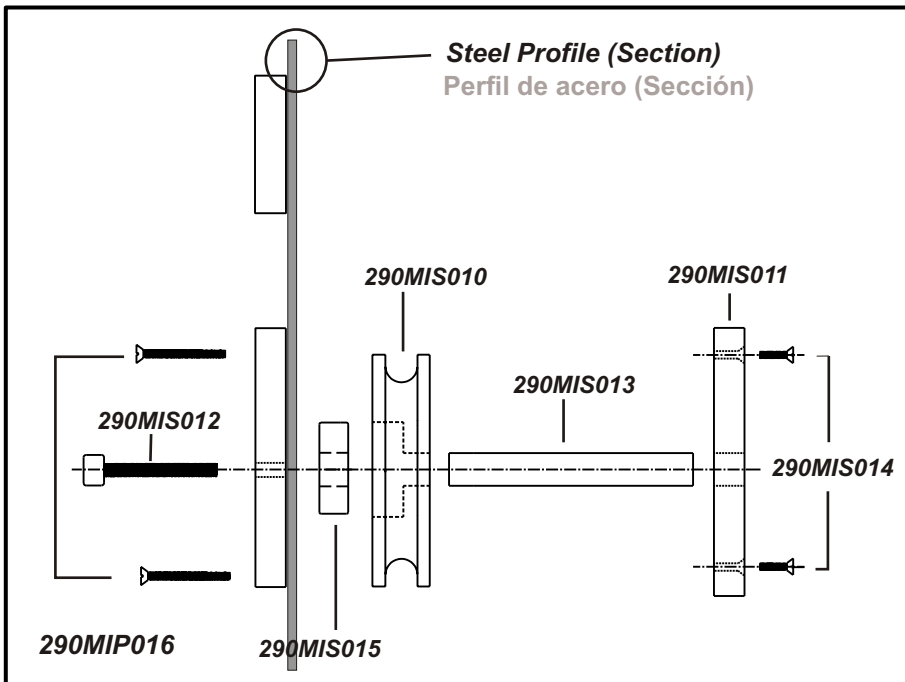
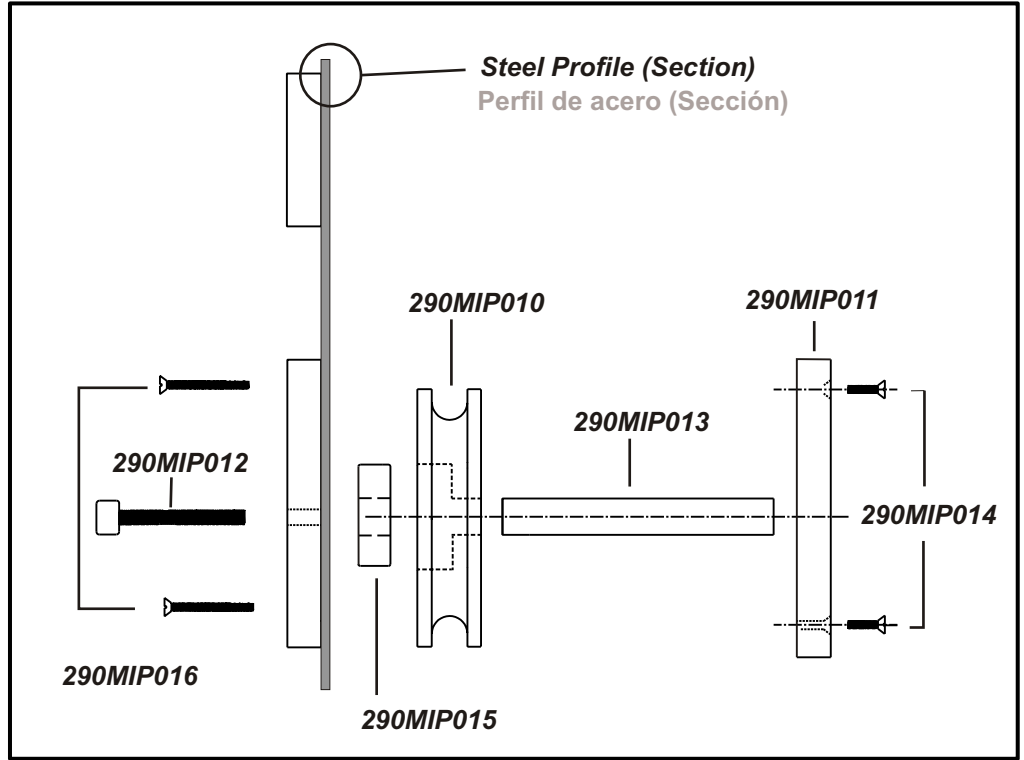
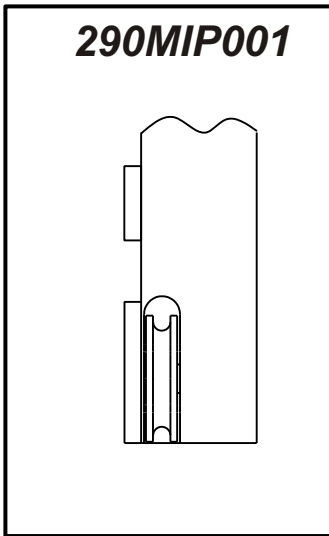


290PST001

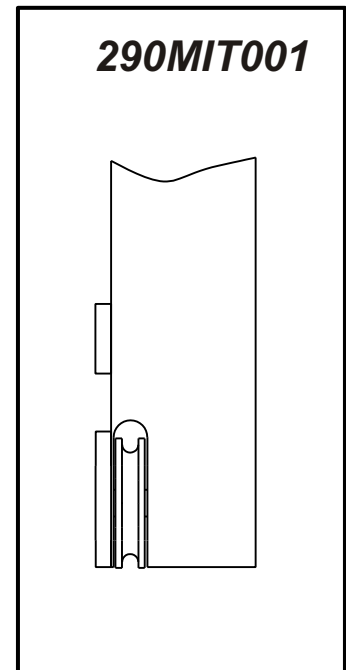
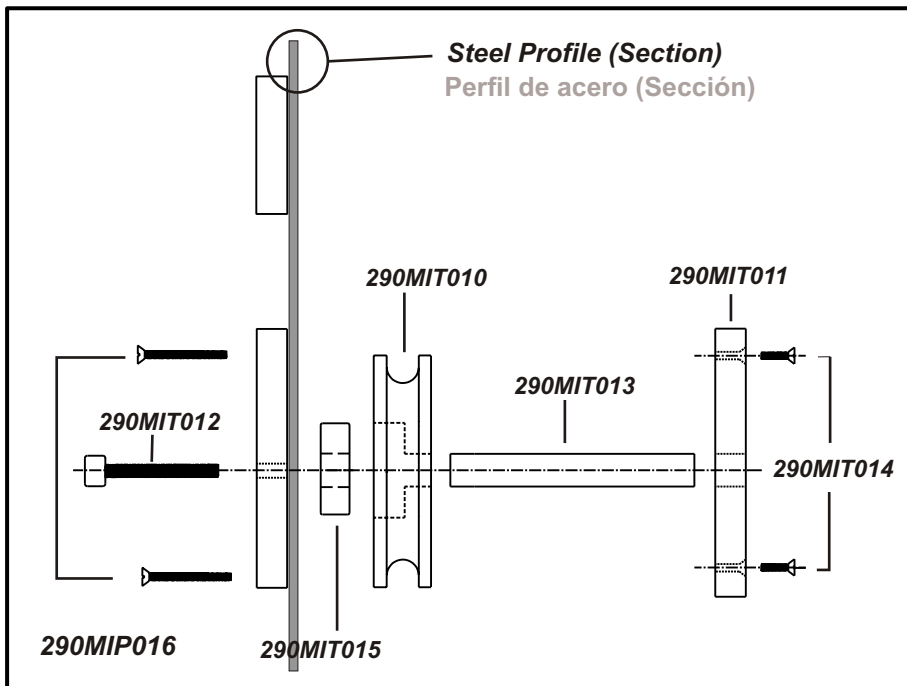
LIFTING TOWER / TORRE ELEVADORA LW 290 R



LIFTING TOWER / TORRE ELEVADORA LW 290 R



LIFTING TOWER / TORRE ELEVADORA LW 290 R



LIFTING TOWER / TORRE ELEVADORA LW 290 R

290CCP001	Pulley Complete Set	Conjunto completo de portapolea.
290CCP010	Allen screw	Tornillo Allen
290CCP011	Pulley	Polea
290CCP012	Auto-Blockable nut	Tuerca blocable
290CCP013	Fixation screw	Tornillo de fijación
290CCP014	Perforation plate	Pletina perforada
290CCP015	Internal plate	Pletina interna
290CCP016	Allen screw	Tornillo Allen
290CCP017	Washer	Arandela

290CCP002	Pulley Complete Set	Conjunto completo de portapolea.
290CCP020	Allen screw	Tornillo Allen
290CCP021	Pulley	Polea
290CCP022	Auto-Blockable nut	Tuerca blocabable
290CCP023	Fixation screw	Tornillo de fijación
290CCP024	Perforation plate	Pletina perforada
290CCP025	Internal plate	Pletina interna
290CCP026	Allen screw	Tornillo Allen
290CCP027	Washer	Arandela

290CCP003	Pulley Complete Set	Conjunto completo de portapolea.
290CCP030	Allen screw	Tornillo Allen
290CCP031	Pulley	Polea
290CCP032	Auto-Blockable nut	Tuerca autoblocable
290CCP033	Fixation screw	Tornillo de fijación
290CCP034	Perforation plate	Pletina perforada
290CCP035	Internal plate	Pletina interna
290CCP036	Allen screw	Tornillo Allen
290CCP037	Washer	Arandela

290PST001	Safety Trigger Complete	Gatillo de seguridad completo
290PST010	Trigger	Gatillo
290PST011	Allen Screw	Tornillo Allen

290PGC001	Cable Guiding Pulley	Polea guiadora de cable
290PGC010	Fixation screw	Tornillo de fijación
290PGC011	Pulley	Polea
290PGC012	Sleeve	Casquillo
290PGC013	Auto-Blockable nut	Tuerca autoblocable

290PFT001	Top Insertion Piece	Pieza superior para Inserción
290PFT010	End Piece	Pieza final
290PFT011	Allen Screw	Tornillo Allen

LIFTING TOWER / TORRE ELEVADORA LW 290 R

290CPC001	Stabilizer Leg Set	Conjunto Pata Estabilizadora
290CPC002	Leg	Pata
290CPC003	Stabilizer	Estabilizador
290CPC010	Allen screw	Tornillo Allen
290CPC011	Knob	Pomo
290CPC012	Fixation screw	Tornillo de fijación
290CPC013	Nut	Tuerca
290CPC014	Crank	Manivela
290CPC015	Screw-Shaped Bar	Barra Roscada
290CPC016	Washer	Arandela
290CPC017	Stabilizer Base	Base del estabilizador
290CPC018	Washer	Arandela
290CPC018	Screw	Tuerca

290RUT001	Transport Wheel Set	Conjunto Rueda de Transporte
290RUT010	Rueda	Rueda
290RUT011	Allen Screw	Tornillo Allen

290RPH001	Transport Wheel Set	Conjunto Rueda de Transporte
290RPH010	Wheel	Rueda
290RPH012	Nut	Tuerca
290RPH013	Screw	Tornillo

290RAH001	Transport Wheel Set	Conjunto Rueda de Transporte
290RAH010	Rueda	Rueda
290RAH011	Allen Screw	Tornillo Allen

290GSP001	Leg Trigger Complete	Gatillo de seguridad completo
------------------	-----------------------------	-------------------------------

LIFTING TOWER / TORRE ELEVADORA LW 290 R

290MIP001	1° Section Internal Mechanism	Conjunto completo de portapolea.
	290MIP010 Pulley	Polea
	290MIP011 Plate	Pletina
	290MIP012 Allen screw	Tornillo Allen
	290MIP013 Axle	Eje
	290MIP014 Fixation screw	Tornillo de fijación
	290MIP015 Bearing	Rodamiento
	290MIP016 Fixation screw	Tornillo de fijación
290MIS001	2° Section Internal Mechanism	Conjunto completo de portapolea.
	290MIS010 Pulley	Polea
	290MIS011 Plate	Pletina
	290MIS012 Allen screw	Tornillo Allen
	290MIS013 Axle	Eje
	290MIS014 Fixation screw	Tornillo de fijación
	290MIS015 Bearing	Rodamiento
	290MIS016 Fixation screw	Tornillo de fijación
290MIT001	3° Section Internal Mechanism	Conjunto completo de portapolea.
	290MIT010 Pulley	Polea
	290MIT011 Plate	Pletina
	290MIT012 Allen screw	Tornillo Allen
	290MIT013 Axle	Eje
	290MIT014 Fixation screw	Tornillo de fijación
	290MIT015 Bearing	Rodamiento
	290MIT016 Fixation screw	Tornillo de fijación
290TEX001	External Profile Section	Tramo Externo
290TIP001	First Internal Profile Section	Primer Tramo Interno
290TIS001	Second Internal Profile Section	Segundo Tramo Interno
290TIT001	Third Internal Profile Section	Tercer Tramo Interno
290TIC001	Fourth Internal Profile Section	Cuarto Tramo Interno