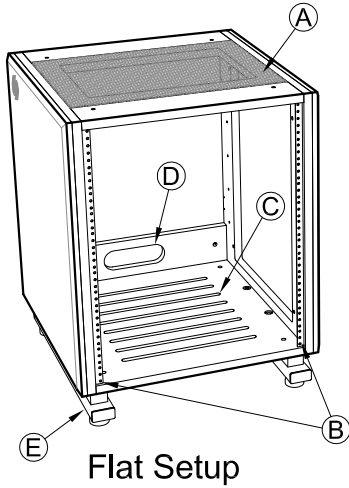


Versa II One Bay Rack

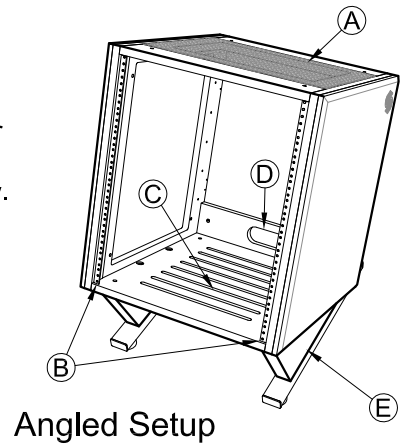
Features / Specifications

Features

- A) Fabric covered thermal vent panels.
- B) 13RU front rack rail w/Sterling Modular exclusive 1/2RU hole spacing.
- C) Slotted bottom panel for ample air flow.
- D) Rear hole for cable management.
- E) "Base Kit".



Flat Setup



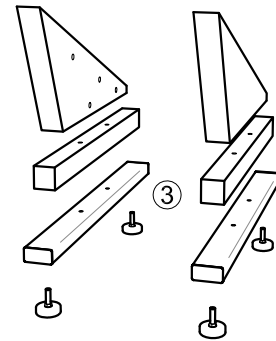
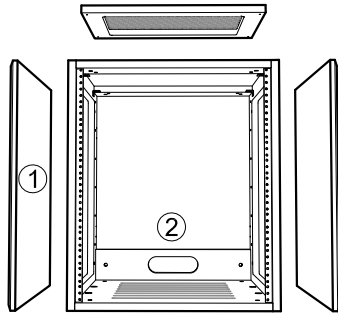
Angled Setup

Shipping Info

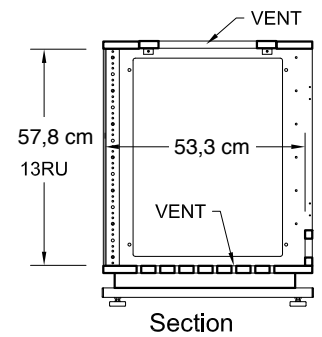
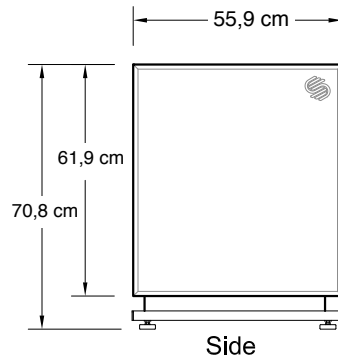
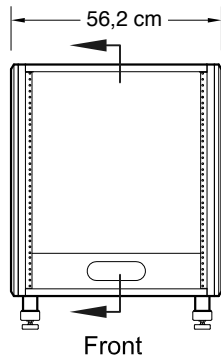
Number of Boxes: 3
Shipping weight: 33 kg

What's Included

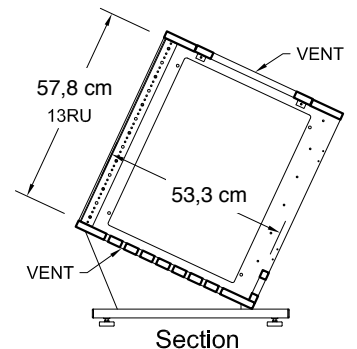
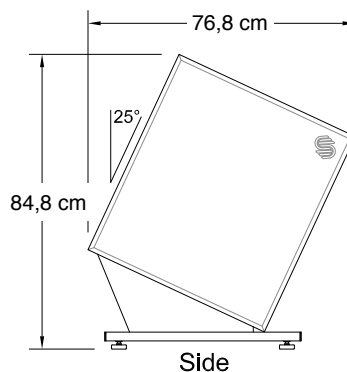
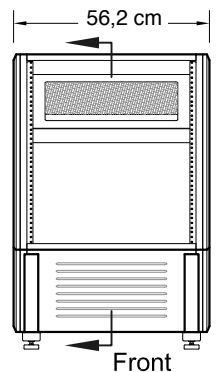
- 1) Side Panels
- 2) Rack Box
- 3) Base Kit



Flat Setup Specification



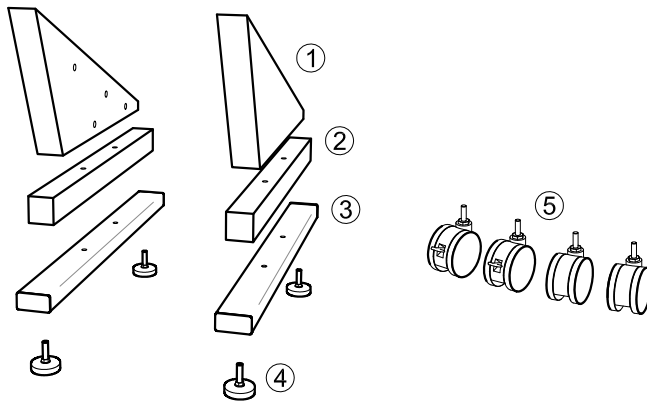
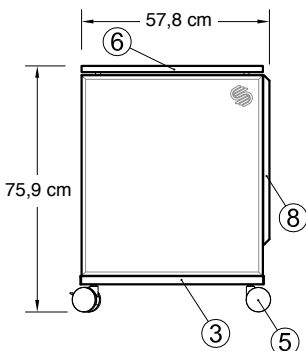
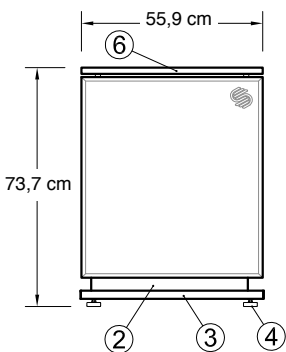
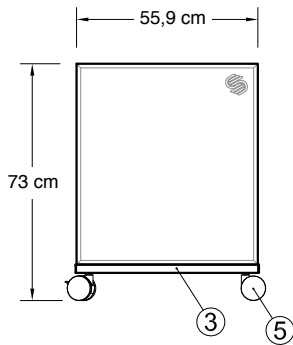
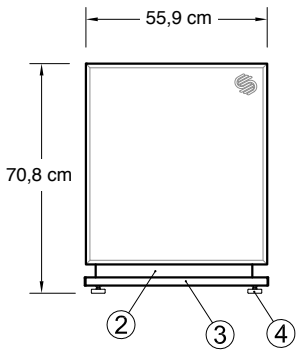
Angled Setup Specification



Versa II Rack

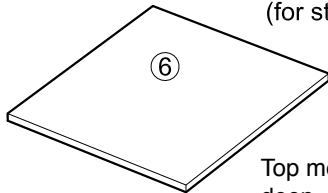
Configurations / Options / Accessories

Flat



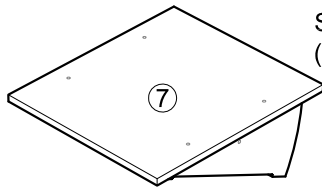
- 1) 25° Angled Riser
- 2) 3,8 cm Flat Riser
- 3) Steel Foot
- 4) Heavy Duty Levelers
- 5) Caster Pack (Optional)
4 heavy duty, rubberized casters.
with brakes for the front.

Solid Flat Top Option
(for straight base configuration)



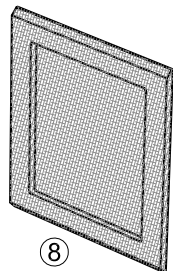
Top measures 52,1 cm wide x 55,9 cm deep. Sits on 1,6 cm risers to allow for continued top thermal venting.

Solid Wedge Top Option
(for angled base configuration)



Top measures 52,1 cm wide x 55,9 cm deep and allows for the stacking of additional gear on the angled base configuration, without obstructing the thermal venting.

Rear Door Option



Fabric covered panel measuring 49,8 cm wide x 52,1 cm tall x 1,9 cm thick. Covers the rear still providing thermal venting. Removable for gear access.

Angled

