

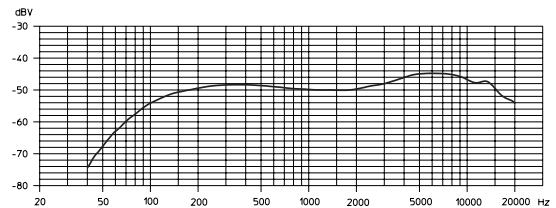
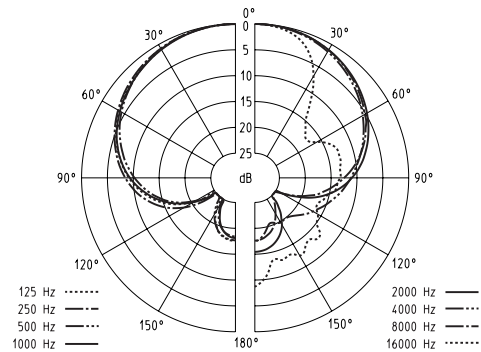
**General Description**

The e 865 S is a fully professional super-cardioid vocal microphone utilising the very best in condenser microphone technology to achieve new standards of quality and sound. The microphone capsule incorporates special blast/pop protection plate to shield the diaphragm from excessive sound pressure levels.



**Technical Data**

Pick-up pattern .....	super-cardioid
Frequency response .....	40 – 20,000 Hz
Sensitivity (free field, no load, 1 kHz) .....	3 mV/Pa
Nominal impedance .....	200 Ω
Min. terminating impedance .....	1 kΩ
Equivalent noise level	
A-weighted (DIN IEC 651) .....	29 dB
CCIR-weighted (CCIR 468-3) .....	40 dB
Max. SPL (1 kHz) .....	150 dB (THD = 6 %)
Dimensions .....	∅ 47 x 193 mm (∅ 1.85" x 7.60")
Weight .....	311 g (10.97 oz)



**Features**

- Rugged metal body
- Extended dynamic response with pronounced presence and vocal 'punch'
- Excellent feedback rejection
- Very good rejection of handling noise
- Very high sound pressure handling capability
- Silent ON/OFF switch
- Delivery includes: 1 e 865 S  
1 microphone clip  
1 pouch

**Profile**

Super-cardioid professional vocal condenser microphone, frequency response 40 Hz – 20 kHz, sensitivity (free field, no load) 3 mV/Pa at 1 kHz, nominal impedance 200 Ω, min. terminating impedance 1 kΩ, dimensions ∅ 47 x 193 mm (∅ 1.85" x 7.60"), weight 311 g (10.97 oz).