

Cobalt™ Co<sub>9</sub>  
Premium Vocal Microphone



C O B A L T™  
W I R E D  
M I C R O P H O N E S

**General Product Description**

The Co9 is a favorite among vocalists across all musical genres. Regardless of the live performance application, sound technicians and engineers feel confident with this mic. A slight bass roll-off and accentuated midrange make this a superb, world-class sound transducer.

**Microphone Use and Placement**

Please note that miking techniques are a matter of personal preference. These are merely guidelines to assist in the placement of the microphone to gain optimal performance.

Usage	Optimal Placement
Vocals	Zero to six inches from the windscreen, and on axis with the microphone.
Spoken Word	Five to ten inches from the windscreen, and on axis with microphone



# Cobalt™ Co<sub>9</sub>

## Premium Vocal Microphone

### Specifications

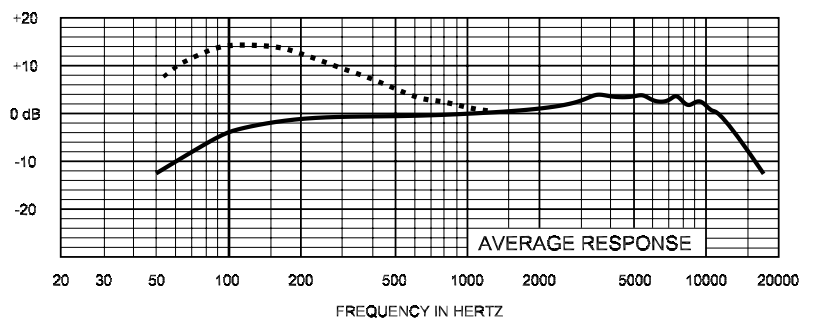
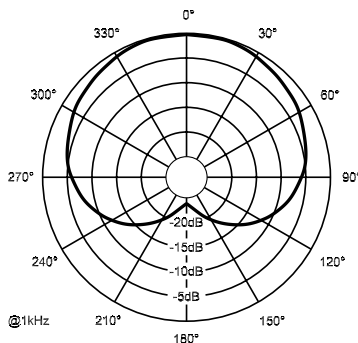
<b>Element</b>	Dynamic Neodymium magnet structure
<b>Frequency Response</b>	50 Hz to 18 kHz
<b>Polar Pattern</b>	Cardioid
<b>Impedance</b>	Low-Z balanced (600 Ohms)
<b>Sensitivity</b> Open Circuit Voltage	3.2 mV/PA (-50 dBV) re 1 Pa* 1 Pa = 94 dB SPL
<b>Microphone Connector</b>	3-pin, XLR-type
<b>Polarity</b>	Pin 2 positive, referenced to pin 3 with positive pressure on diaphragm
<b>Finish</b>	Durable polyurethane paint
<b>Materials</b>	Die cast zinc housing
<b>Dimensions</b>	
Length	6.7 in. (170 mm)
Diameter	2.1 in. (53 mm)
Shank	.85 in. (22 mm)
<b>Weight</b>	
Net	11.8 oz. (335 grams)
Shipping	29.9 oz. (848 grams)
<b>Accessories included</b>	Stand adaptor (black) Gig bag

### Standard Placement & Use Guidelines

1. Always point the microphone at the desired source of sound, and away from any unwanted sources.
2. The microphone should be located close to the sound source to minimize interference from other potential sound sources.
3. Use the 3-to-1 rule when using multiple microphones. Place each microphone three times farther from other microphones as from the desired sound source.
4. Minimize over-handling of the microphone to reduce unwanted mechanical noise.
5. Working close to the microphone will increase the bass tone and also provide increased gain-before-feedback.

# Cobalt™

professional microphones



**EV Electro-Voice®**

12000 Portland Avenue South, Burnsville, MN 55337

Phone: 952/884-4051, Fax: 952/884-0043

[www.electrovoice.com](http://www.electrovoice.com)

© Telex Communications, Inc. 5/2007

Part Number 38109-896 Rev. D



U.S.A. and Canada only. For customer orders, contact Customer Service at:  
**800/392-3497 Fax: 800/955-6831**

Europe, Africa, and Middle East only. For customer orders, contact Customer Service at:  
**+ 49 9421-706 0 Fax: + 49 9421-706 265**

Other International locations. For customer orders, contact Customer Service at:  
**+ 1 952 884-4051 Fax: + 1 952 736-4212**

For warranty repair or service information, contact the Service Repair department at:

**800/553-5992 or 402/467-5321**

For technical assistance, contact Technical Support at:

**800/392-3497 or 952/736-4656**

Specifications subject to change without notice.