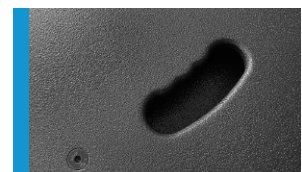


Multifunktionales 12"/1" System mit besonders ausgewogener Klangwiedergabe. Gute Eignung als hochwertiger Fullrange/HiMid Lautsprecher und als universeller Monitor. Das drehbare 1" DCP (= Dual Pattern Circular Horn) sorgt für eine konstante 90° x 60° Abstrahlung über einen breiten Frequenzbereich. Diverse M8 und M10 Aufnahmepunkte sorgen für die einfache Montage des Zubehörs. Auch als Festinstallationsvariante lieferbar.

PRODUCT SPECIFICATIONS

Speaker Components	12" Nd / 1"
Description	Multi Purpose Sound System
Power AES / Peak	500 W / 1500 W
Impedance nominal	8 Ω
SPL 1 W / Peak @ 1 m	99 dB / 131 dB
Usable Range	60 Hz - 20 kHz (-6dB)
Tuning Frequency excursion minimum	60 Hz
X - Overpoint acoustical	1,3 kHz
Coverage horizontal / vertical	90° x 60°- rotatable
Max. Splay Angle	- - -
Connectors	2 x Neutrik Speakon NL4MP in/out Coding: 1 +/- HiMid, 2 +/- loop thru
Handles	1 x
Rigging / Fittings	2 x M10 / 7 x M8 35 mm pole mount
Weight	17 kg
Size height x width x depth	60,6 x 36,0 x 34,0 cm
Order No.	00260/II 00260/AF/II (installation version)

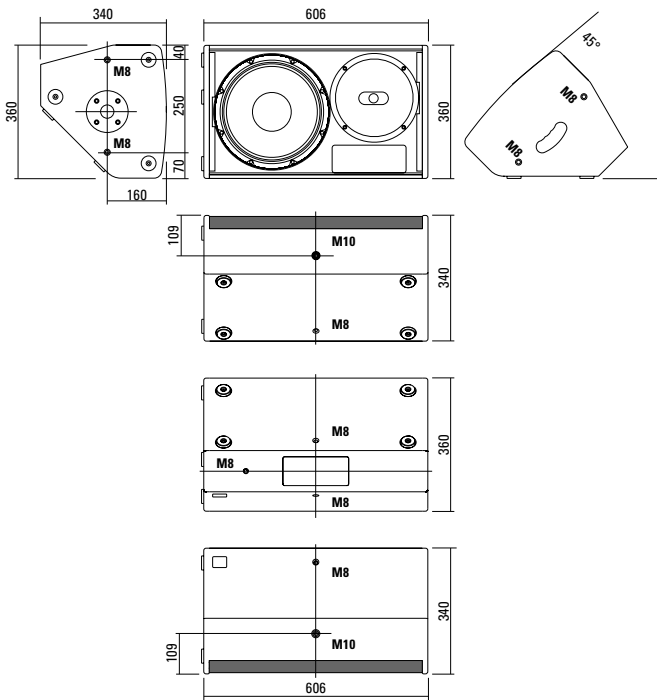


Ergonomischer Griff auf der Oberseite.

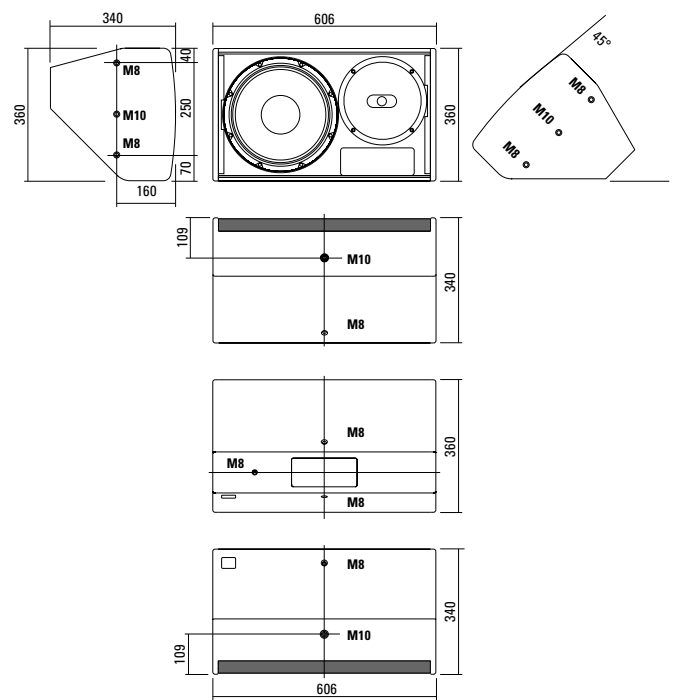


Neodym 12" Lautsprecher mit wasserabweisender Membranbeschichtung.

DIMENSIONS



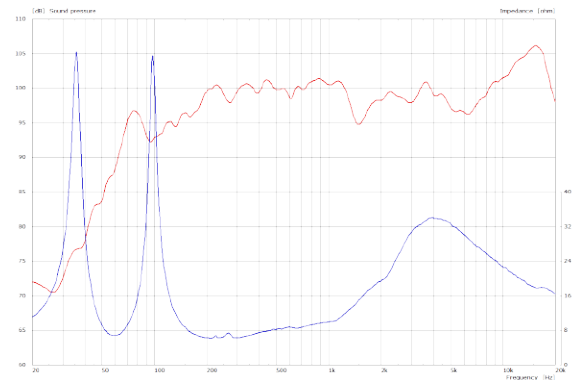
Installation Version AF 6



Controller Setups finden Sie unter:

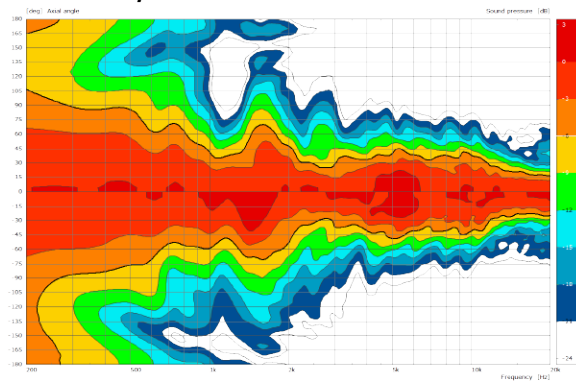
<http://www.seeburg.net/downloads.php>

Sensitivity 1 W @ 1 m + Impedance

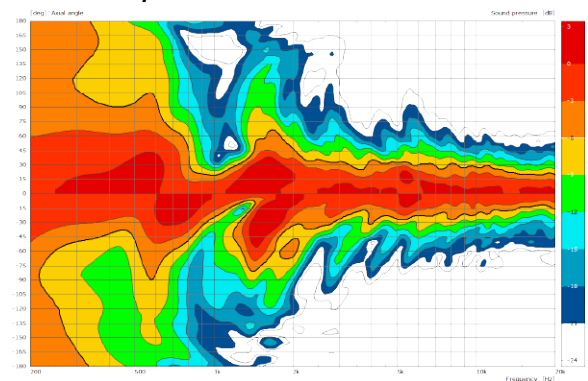


COVERAGE PATTERNS

2D Directivity Plot - horizontal



2D Directivity Plot - vertical



Flying Bracket



for A 6 / A 6 dp / TSM 12
incl. screws
(per unit: 2 pcs. M10 x 30 adjustable
handle screws)
Order No. **01216/set**

Flying Bracket



for A 6 / A 6 dp / TSM 12
horizontal alignment, incl. screws
(per unit: 2 pcs. adapters, M10 hex
lock nuts, flat- and rubber washers)
Order No. **01216/H/set**

Flying Bracket



for AF 6 horizontal alignment,
incl. screws (per unit: 2 pcs. M10 x
20 socket head screws, spring- and
rubber washers)
Order No. **01216/H/AF**

Handle Screw



for flying brackets, adjustable
M10 x 30
Order No. **08375/30**

Ergostyle Lobe Knob



for flying brackets, M10 x20,
with grip, adjustable
Order No. **08171**

Flange



for flying brackets,
35 mm Ø -> M10,
Order No. **08126**

Rubber Washer



for flying brackets,
40 mm
Order No. **01205**

Doughty Trigger Clamp



for flying brackets,
SWL 200 kg
Order No. **01222**

Steel Safety Cable



4 mm - 50 cm
Order No. **01376**

Chain Fastener



VBS 7 mm
Order No. **01378**

Ring Screw



M10- DIN 580,
black zinced
Order No. **73700**

TV Spigot



10 mm internal thread,
28 mm Ø
Order No. **08128**

ACCESSORIES A 6

Wall Mount



for U-brackets, 40 kg max., incl. screws (M10 x 70 mm socket head screw, M10 hex lock nut and flat washer)

for 8"-12" speakers

Order No. **08130/F/269**

Wall Mount



with tilt unit, 40 kg max.

Order No. **08130**

Speaker Stand



Incl. wind up, 50 kg max., height 129 to 204 cm, K&M

Order No. **03011**

50 kg max., K&M

Order No. **03010**

Front Grille



for A 6, front grille version, foam behind

Order No. **97010/hex/compl.**

Cover



for A 6 / A 6 dp / TSM 12, padded

Order No. **01244**

Rain Cover



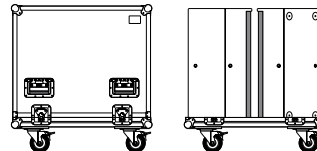
for A 6 / A 6 dp / TSM 12

Order No. **01244/outdoor**

Flight Case

für 2 pcs. A 6 / TSM 12 / heavy duty, 6,5 mm birch multiplex, PVC coated, ball corners, 6 pcs recessed sprung handles, 4 pcs. butterfly catches, 100 mm blue wheels, 2 pcs. with brake, interior lined with felt.

Order No. **16010**



Frontgitter-Version.