

Technical Specification

1. Product Description

15LB075-UW4 is a 15inch large power sub woofer with aluminum frame, and used as the sub range component of professional speaker system.

2. Technical Parameters:

(1). Nominal diameter: 380mm(15in) (7). Lowest Resonance Frequency: $40 \pm 4\text{Hz}$

(2). DC resistance: $3.6 \pm 0.18 \Omega$ (8). Frequency Response: $40\text{Hz}-2.5\text{KHz}$

(3). Rated Impedance: 4.0Ω (9). Voice Coil Diameter: 75.5mm

(4). Minimum Impedance: 4.0Ω (10). Voice Coil material: cooper wire

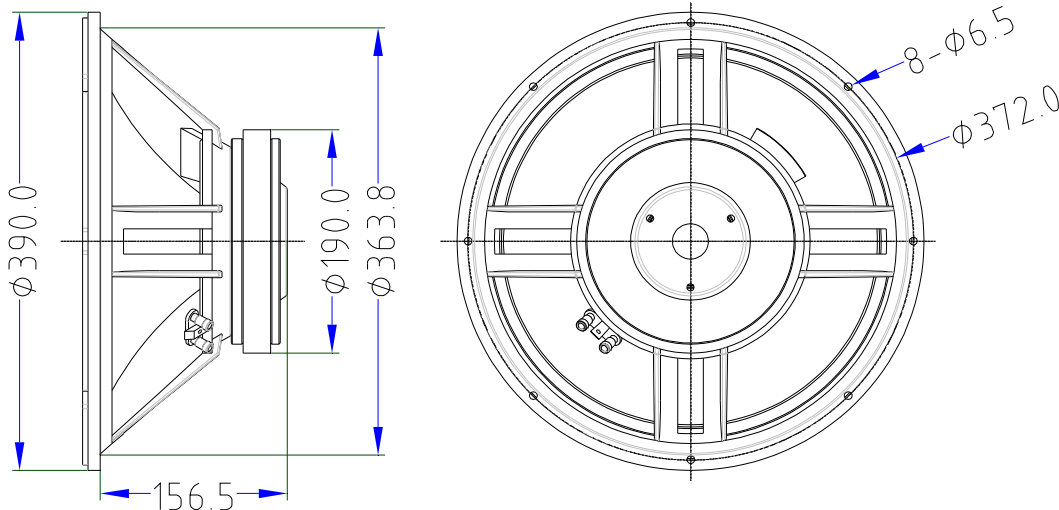
(5). Power Tolerance Capacity: (11). Material of Voice Coil Framework: Kapton

Rated Power: 300W (12). Voice Coil Winding Depth: 18.0 mm

Instantaneous Maximum power: 1200W (13). Magnet gap Depth: 10mm

(6). Sensitivity (@1W/1m): $96.0 \pm 2\text{dB}$ (14). Flux density: 1.0 T

3. Drawing



ESC End

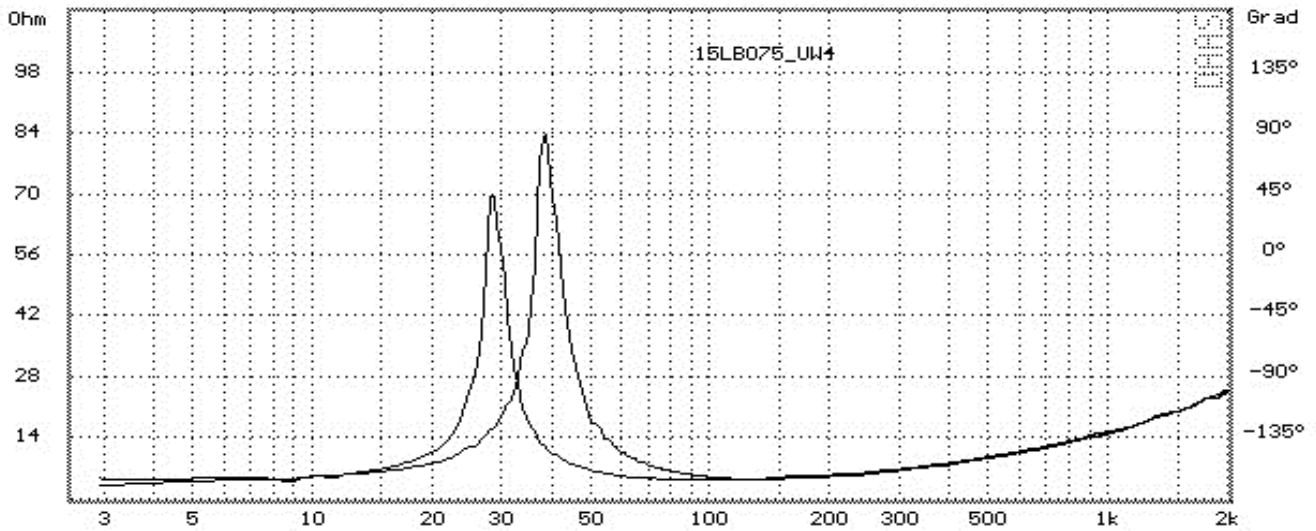
D A A S Thiele Small Parameter

i 28.10.00 16:26

In: Line ±20.00 V

M0: NoName

Fms: 39.1 Hz	Res: 73.6 Ω	Nref: 2.28 %	Re: 3.8 Ω	Le: 1.6 mH
Qms: 8.48	Rms: 3.5 kg/s	B1: 16.7 N/A	Rp: 67.9 Ω	
Qes: 0.40	Cms: 0.14 mm/N	SPL: 95.6 dB	Lp: 40.1 mH	
Qts: 0.38	Mms: 120.3 gr	Vas: 158.9 l	Cp: 755.7 μF	



Remark: Effective Vibration Dia.340mm, Testing Additional Wt.100g.

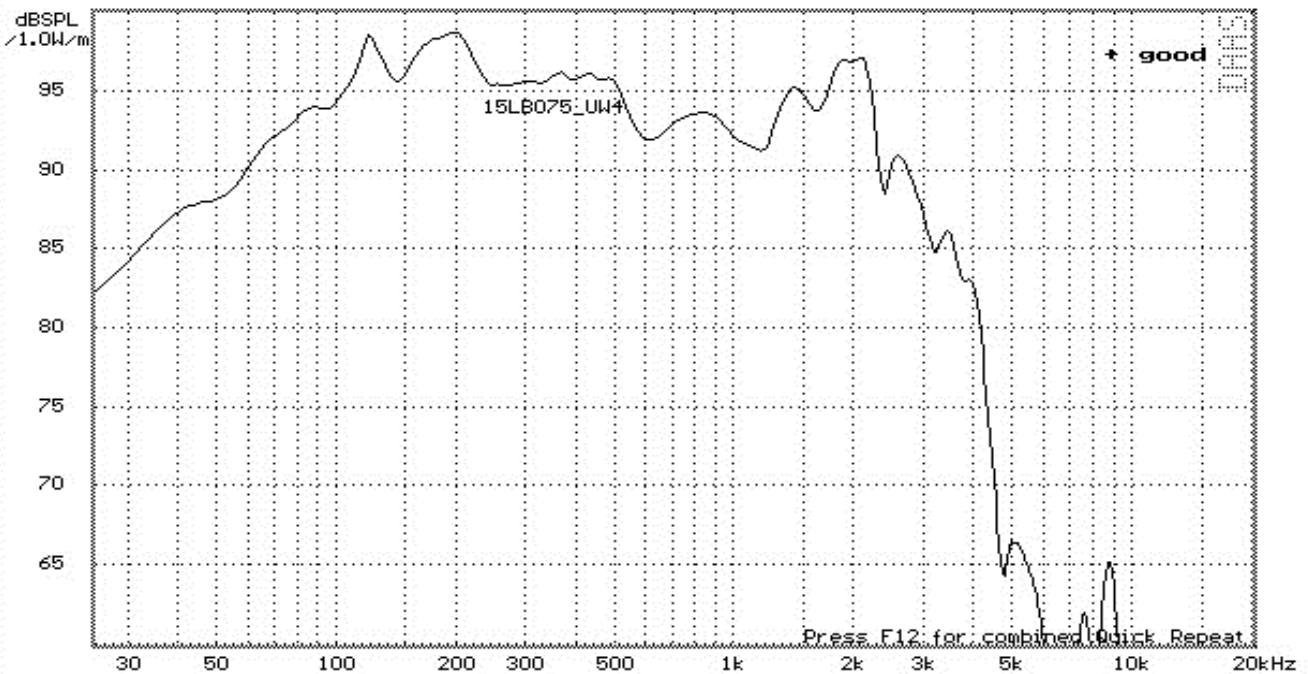
ESC End

D A A S Frequency Response

i 28.10.00 16:38

Distance Loudsp.- Mic.: 53.8cm dB SPL normalised on 1 Meter

M0: NoName



注：测试环境：开发部测试箱