

GENERAL CHARACTERISTICS

Nominal Overall Diameter	207	mm
Nominal Voice Coil Diameter	25	mm
Magnet Weight	200	g
Flux Density.....	0.96	T

THIELE-SMALL PARAMETERS

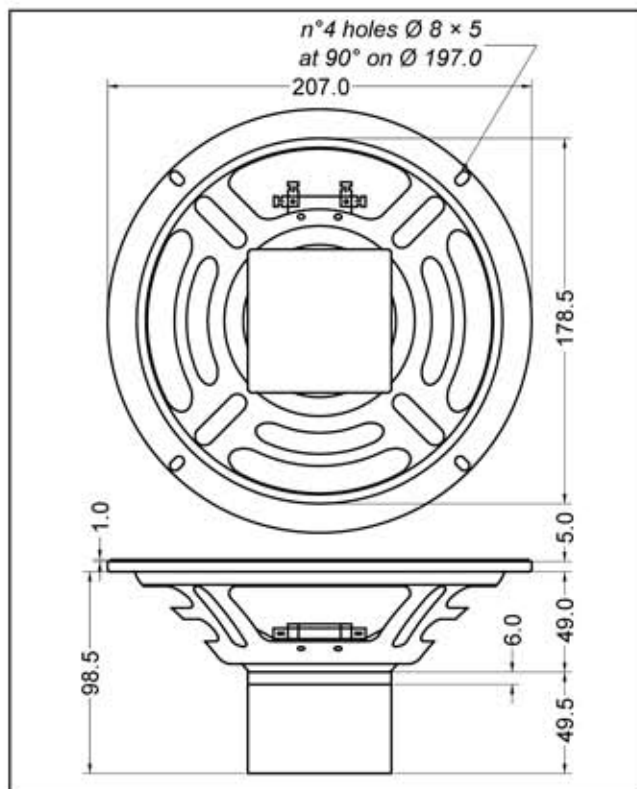
Voice Coil DC Resistance	R_E	6.70	Ω
Resonance Frequency	f_s	130.0	Hz
Mechanical Q Factor.....	Q_{MS}	9.18	
Electrical Q Factor.....	Q_{ES}	2.30	
Total Q Factor.....	Q_{TS}	1.84	
Mechanical Moving Mass	M_{MS}	9.3	g
Mechanical Compliance.....	C_{MS}	161.0	$\mu\text{m}/\text{N}$
Force Factor	$B \times l$	4.72	Wb/m
Equivalent Acoustic Volume.....	V_{AS}	10.3	lt.
Maximum Linear Displacement	X_{MAX}	1.00	mm
Reference Efficiency	η_D	0.95	%
Diaphragm Area	S_D	213.8	cm^2
Losses Electrical Resistance.....	R_{ES}	27.0	Ω
Voice Coil Inductance @ 1kHz	L_E	0.36	mH

CONSTRUCTIVE CHARACTERISTICS

Magnet.....	AlNiCo
Voice Coil Winding.....	Copper
Voice Coil Former.....	Epotex
Cone	Paper
Surround.....	Integrated Paper
Dust Dome	Treated Cloth
Basket	Pressed Sheet Steel

ELECTRICAL CHARACTERISTICS

Nominal Impedance.....	8	Ω
Rated Power (DIN 45573 - IEC 268.5)	25	W
Musical Power (DIN 45500)	50	W
Sensitivity @ 1 W, 1 m	92.5	dB



Frequency Response on IEC Baffle (DIN 45575) @ 1 W, 1 m - Impedance

