

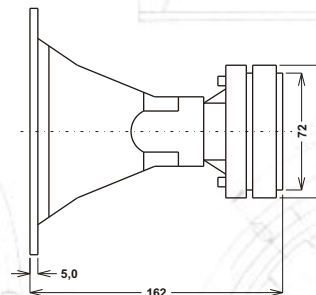
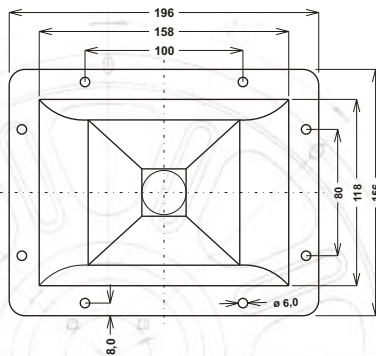
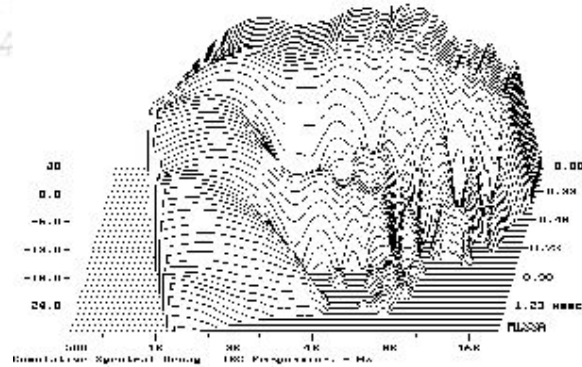
HT 1621

1. SPECIFICATIONS

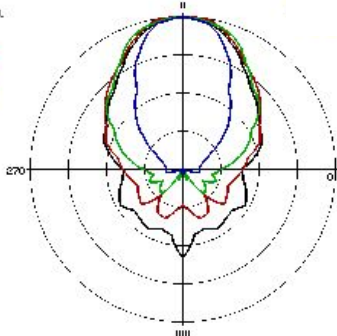
Rated Impedance:	8 Ohms
Power Capacity:	15 W RMS (without x-over)
Frequency Range:	2500 - 16000 Hz
Sensitivity (1W/1m):	105 dB
Nominal Coverage Angel (H x V):	60° x 40°

2. CONSTRUCTION FEATURES AND FITTING DATA

Voice coil diameter:	25 mm
Voice coil material:	CCAW
Voice coil former:	Nomex
Flux density	1.4 T
Overall dimensions	195 x 155 mm
Baffle cut-out dimensions	161 x 124 mm
Depth	180 mm
Weight	1.0 kg



Kurven: -18dB/Einheit
1: 2.88kHz: +97.6dB
2: 2.88kHz: +97.6dB
3: 2.88kHz: +95.7dB
4: 2.88kHz: +95.7dB
5: 2.88kHz: +95.7dB
6: 2.88kHz: +95.7dB
7: 2.88kHz: +95.7dB
8: 2.88kHz: +95.7dB



Kurven: -18dB/Einheit
1: 2.88kHz: +103.0dB
2: 2.88kHz: +103.0dB
3: 2.88kHz: +103.0dB
4: 2.88kHz: +103.0dB
5: 2.88kHz: +103.0dB
6: 2.88kHz: +103.0dB
7: 2.88kHz: +103.0dB
8: 2.88kHz: +103.0dB

