

## PA Amplifiers

# EUROPOWER EPQ2000/EPQ1200 EPQ900/EPQ450/EPQ304

**Professional 300-/460-/900-/1200-/2000-Watt Lightweight Stereo Power Amplifiers with ATR (Accelerated Transient Response) Technology**

- EPQ304: 4 x 75 Watts into 4 Ohms, 4 x 50 Watts into 8 Ohms; EPQ450: 2 x 230 Watts into 4 Ohms, 2 x 130 Watts into 8 Ohms; EPQ900: 2 x 700 Watts into 4 Ohms; 2 x 300 Watts into 8 Ohms; EPQ2000: 2 x 1000 Watts into 4 Ohms; 2 x 600 Watts into 8 Ohms; EPQ1200: 2 x 600 Watts into 4 Ohms; 2 x 320 Watts into 8 Ohms
- ATR (Accelerated Transient Response) technology for ultimate punch and clarity
- Ultra-light, ultra-low noise and ultra-efficient switch-mode power supply for noise-free audio, superior transient response and low power consumption
- EPQ1200 and EPQ2000: Switchable limiters offer maximum output level with reliable overload protection
- EPQ304, EPQ450 and EPQ900: Independent limiters for each channel offer maximum output level with reliable overload protection
- Detented gain controls for precise setting and matching of sensitivity
- Precise Power, Signal and LIMIT LEDs to monitor performance
- EPQ1200 and EPQ2000: XLR, ¼" TRS and RCA input connectors for compatibility with any source
- EPQ304, EPQ450 and EPQ900: Servo-balanced XLR and ¼" TRS inputs plus professional speaker connectors



The EPQ Series power amplifiers pack the power of Accelerated Transient Response (ATR) technology into an exceptionally lightweight package. Ample power and high-tech efficiency combine to give you a feather-light supercharged workhorse that will keep your rig kicking for years to come.

### Accelerated Transient Response Delivers the Knockout Punch

It takes huge pulses of energy (current and voltage) to propel a woofer cone out fast enough to match a bass beat. That's called Transient Response and it's the holy grail of amp designers. By carefully selecting transistors with extremely high slew rates and optimizing other proprietary parts of our circuitry, our amps are able to react instantly to even the most demanding

electronic bass impulses. If the woofers in your PA system can keep up, your audience will hear a tighter, crisper, more natural sound.

Instead of operating relatively continuously like most power amps, the EPQ power amps feature rail tracking for effectively modulating the power supply rails with only the peaks of the input signal. This technology has revolutionized pro audio amp designs with its outstanding performance and efficiency. When combined with switching-mode power supplies that do away with heavy toroid transformers, our new designs provide more dynamic punch and, because they are so much more efficient, run cooler and don't require huge, heavy heat sinks.

*Continued on next page*



# EUROPOWER

## EPQ2000

## EPQ1200

## EPQ900

## EPQ450

## EPQ304

- EPQ1200 and EPQ2000: Professional speaker connectors and “touch-proof” binding posts support most speaker wiring systems
- EPQ1200 and EPQ2000: Built-in Subwoofer/Satellite crossover for more flexibility
- EPQ1200 and EPQ2000: Independent DC and thermal overload protection on each channel automatically protects amplifier and speakers without shutting down the show
- “Back-to-front” ventilation system including air filter for reliable operation
- “Built-like-a-tank”, impact-resistant and all-steel 2U rackmount chassis
- Minimum depth chassis (10.1"/257 mm) and ultra-light weight design (EPQ304: 4 kg/8.8 lbs, EPQ450: 4.7 kg/10.3 lbs, EPQ900: 4.7 kg/10.3 lbs, EPQ1200: 6.7 kg/14.8 lbs, EPQ2000: 7 kg/15.4 lbs)
- High-quality components and exceptionally rugged construction ensure long life
- Conceived and designed by BEHRINGER Germany

BEHRINGER didn't invent this technology, but our R&D Department has been working for years to perfect our own version, creating lightweight amps that run cool and also achieve our goal of Accelerated Transient Response.

### Everything You Need

The simple front panel controls of these amps give you all of your sound's vital signs at a glance. After pressing the Power Button, the POWER LED will light when the amp is ready for action. Both channels have independent gain dials as well as clip LEDs that indicate when the signal is distorted and you need to reduce the gain. There are also SIGNAL LEDs that light up when a signal is present at the input.

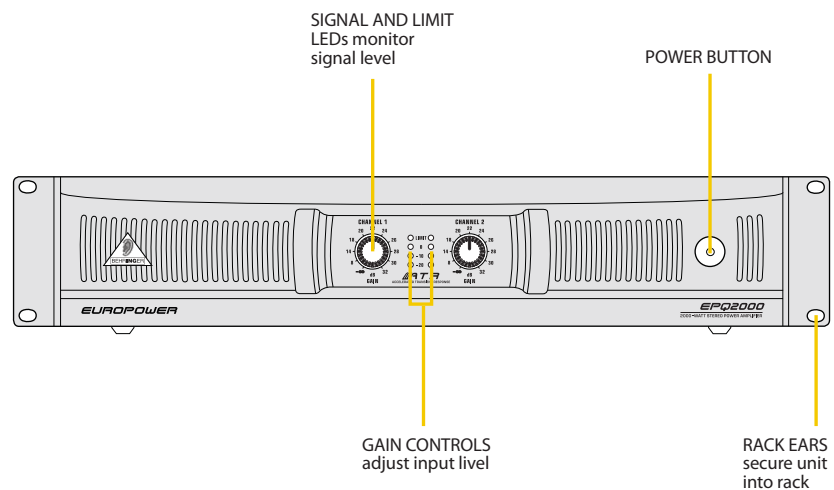
On the back panels of the EPQ2000 and EPQ1200, the INPUTs accept balanced XLR, ¼" TRS, and unbalanced ¼" TS and RCA connections. Take your pick of professional locking speaker outputs or touch-proof binding posts to securely connect speakers. The same panel contains the switches that allow you to put these amps to work in either mono, stereo (two-channel mode) or

mono bridge mode. A built-in CROSSOVER switch allows you to send low frequency content to subwoofers and other sound reinforcement speakers (CH1<100 Hz / CH2>100 Hz or FULLRANGE). Flick the LIMITER ON/OFF switch to activate the built-in overload protection, or turn it off if you're feeling lucky.

The back panels of the EPQ304, EPQ450 and EPQ900 accept balanced XLR. The EPQ450 and EPQ900 have MONO On/Off and BRIDGE On/Off switches. The EPQ304 has a MONO On/Off switch for INPUTS 1 AND 2, and another MONO On/Off switch for INPUTs 3 and 4.

### Value

BEHRINGER's new EPQ power amps are built for the working musician. They are exceptionally light, they pack massive power and they are built to last through all the rigors of the road. Plus its light price tag will leave you with enough cash left over to acquire more stuff to amplify! Check out the EPQ series and find out why BEHRINGER power amps are among the most popular on Earth.



# EUROPOWER

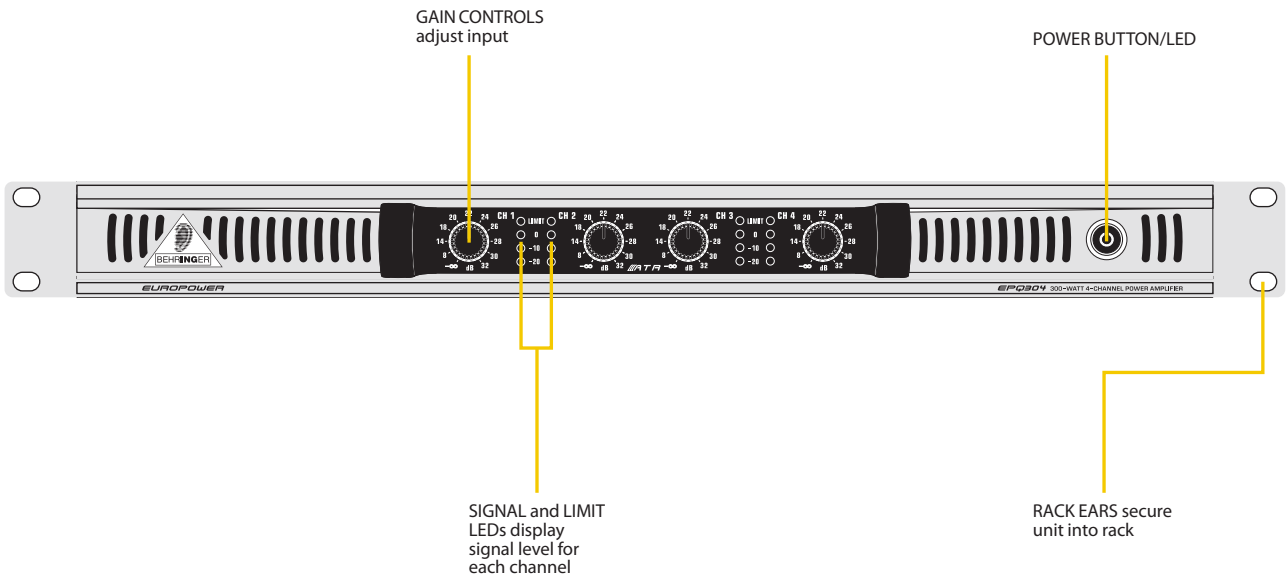
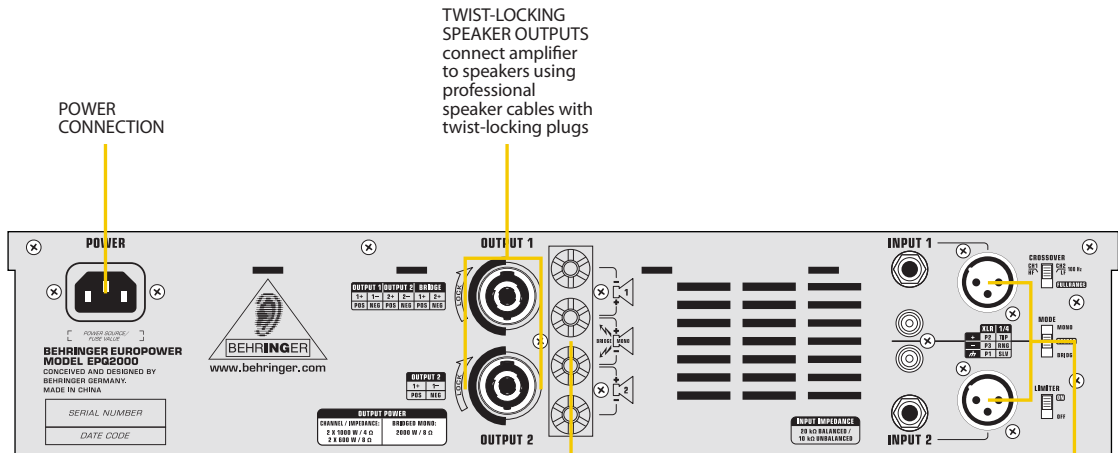
## EPQ2000

## EPQ1200

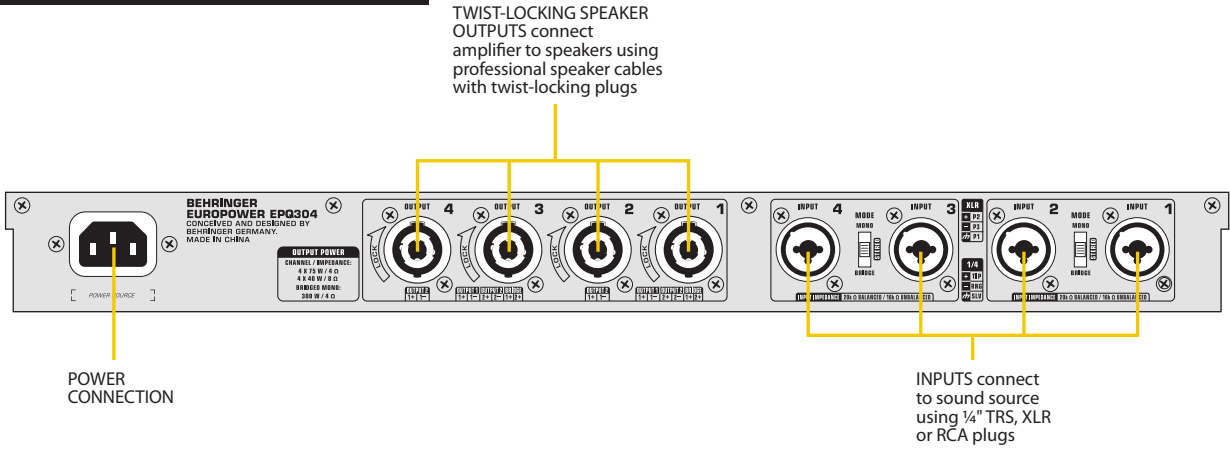
## EPQ900

## EPQ450

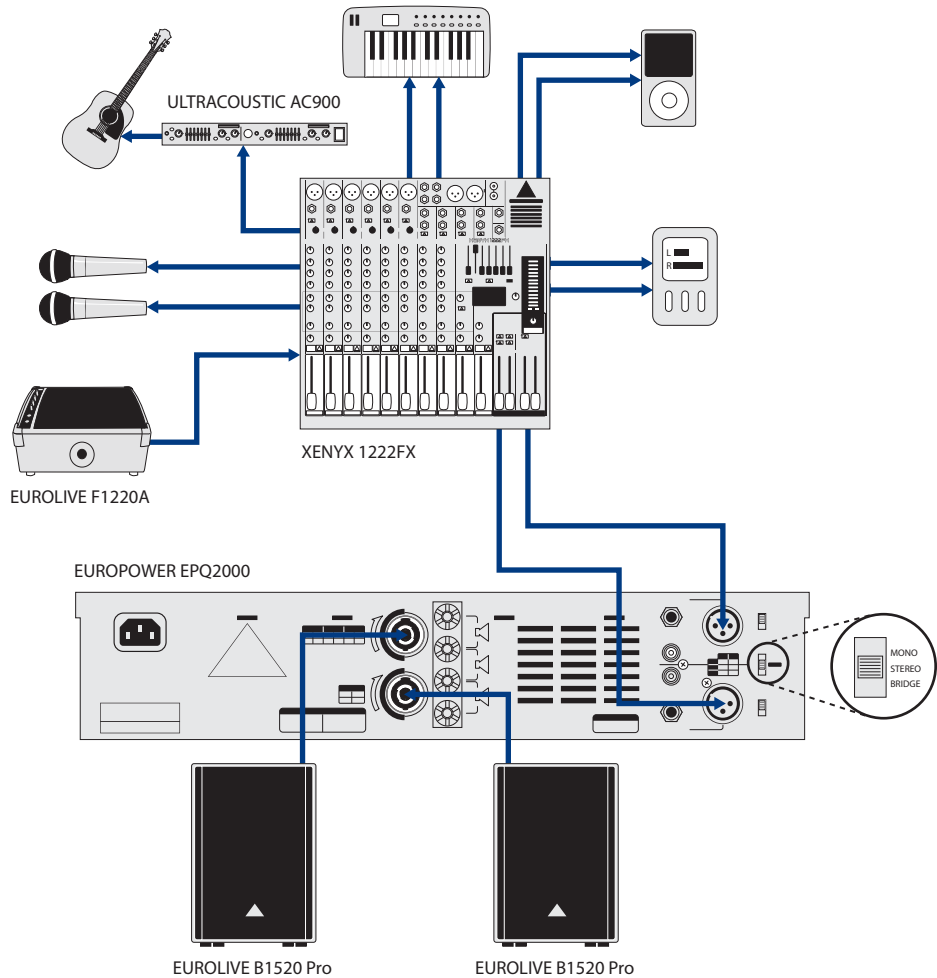
## EPQ304



# EUROPOWER EPQ2000 EPQ1200 EPQ900 EPQ450 EPQ304

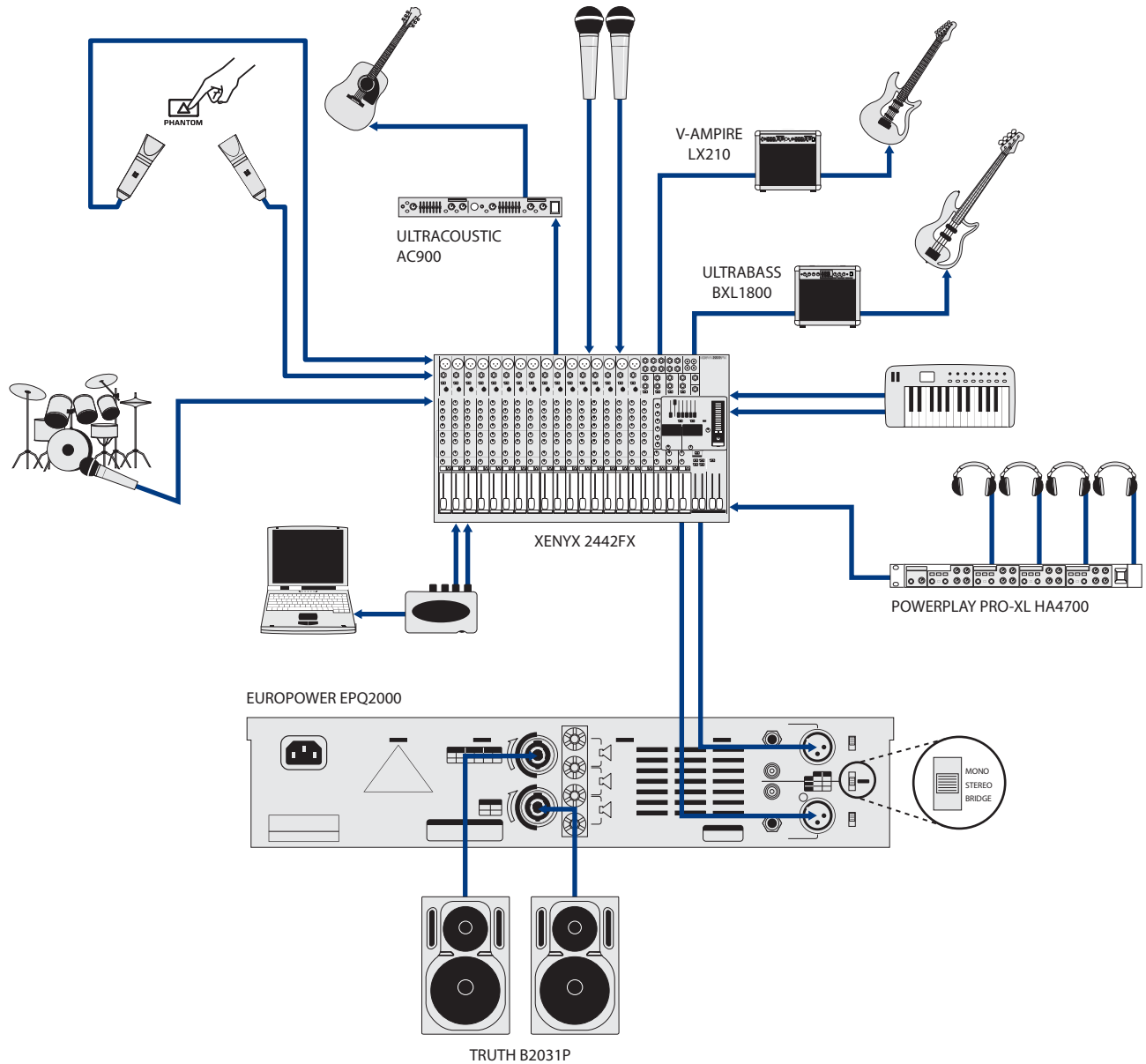


## Live Setup with PA and Floor Monitor



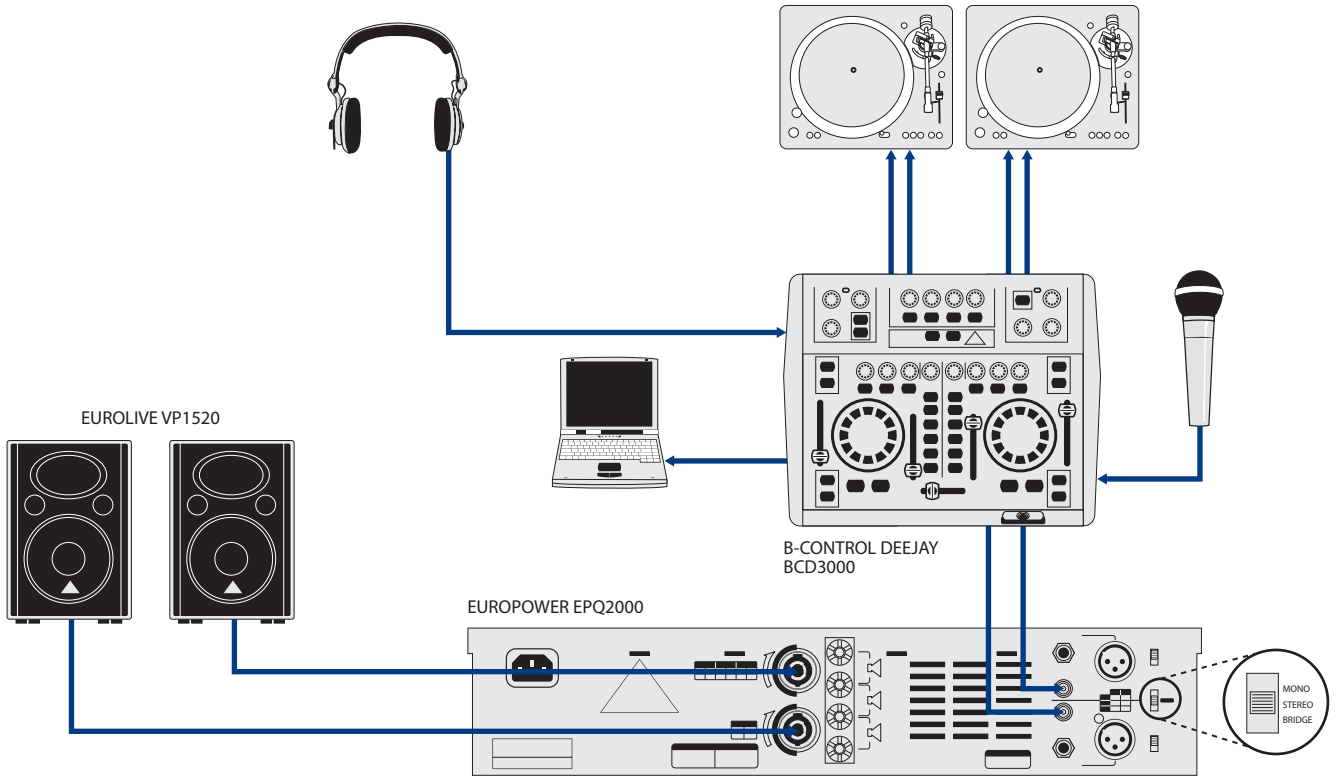
**EUROPOWER**  
**EPQ2000**  
**EPQ1200**  
**EPQ900**  
**EPQ450**  
**EPQ304**

### Recording Setup with Studio Monitors

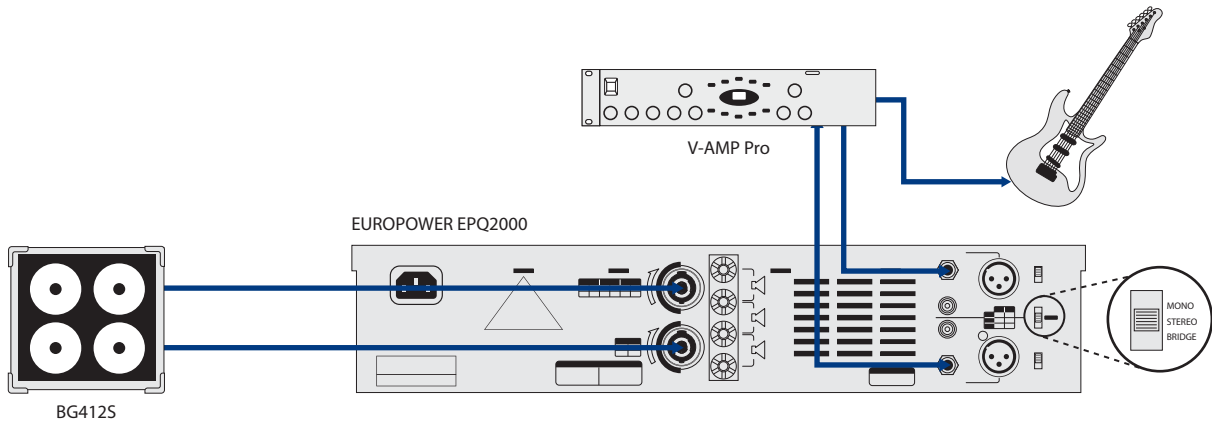


**EUROPOWER**  
**EPQ2000**  
**EPQ1200**  
**EPQ900**  
**EPQ450**  
**EPQ304**

### Live DJ Setup with PA

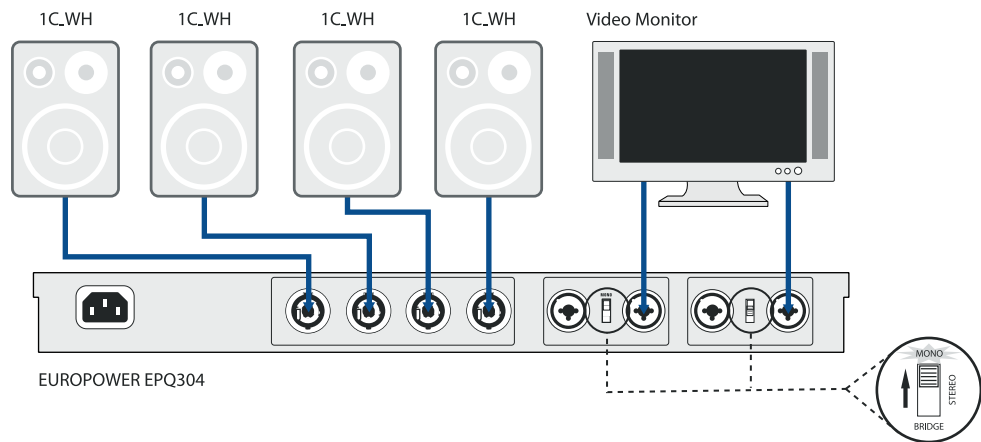


### Live Guitar Setup

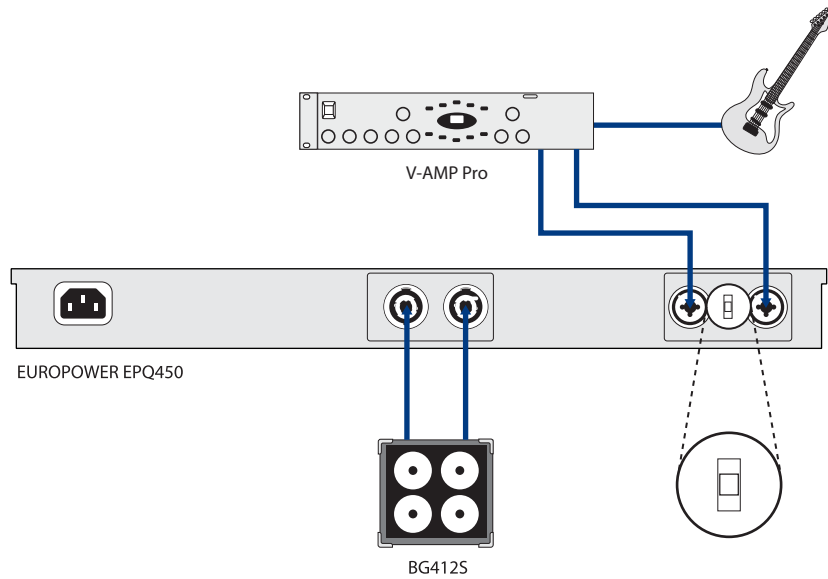


**EUROPOWER**  
**EPQ2000**  
**EPQ1200**  
**EPQ900**  
**EPQ450**  
**EPQ304**

### Club A/V System

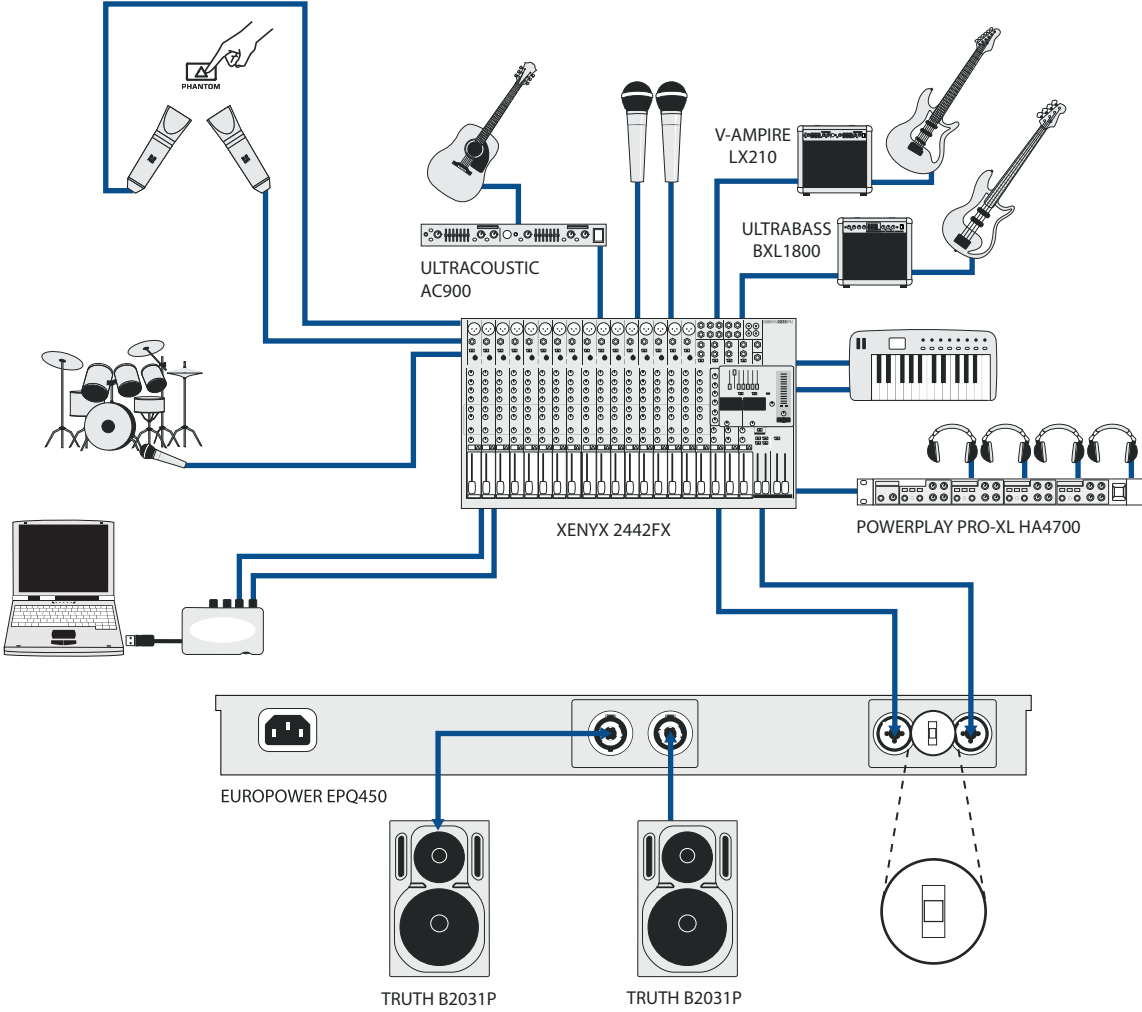


### Live Guitar Setup with EPQ450



**EUROPOWER**  
**EPQ2000**  
**EPQ1200**  
**EPQ900**  
**EPQ450**  
**EPQ304**

### Recording Setup with EPQ450 and Studio Monitors





# EUROPOWER

## EPQ2000

## EPQ1200

## EPQ900

## EPQ450

## EPQ304

### EPQ1200

#### OUTPUT POWER

##### RMS

Stereo	
8 Ω per channel, stereo	250 W
4 Ω per channel, stereo	425 W
Bridged Mono	
8 Ω bridge mode	850 W

#### PEAK POWER

Stereo	
8 Ω per channel, stereo	320 W
4 Ω per channel, stereo	600 W
Bridged Mono	
8 Ω bridge mode	1200 W

### EPQ2000

#### OUTPUT POWER

##### RMS

Stereo	
8 Ω per channel, stereo	500 W
4 Ω per channel, stereo	700 W
Bridged Mono	
8 Ω bridge mode	1400 W

#### PEAK POWER

Stereo	
8 Ω per channel, stereo	600 W
4 Ω per channel, stereo	1000 W
Bridged Mono	
8 Ω bridge mode	2000 W

#### SYSTEM

##### Controls

Front	Power switch GAIN control (channels 1 and 2)
Rear	CROSSOVER switch, MODE switch, LIMITER switch

##### Indicators

#### SYSTEM

##### Controls

Front	Power switch GAIN control (channels 1 and 2)
Rear	CROSSOVER switch, MODE switch, LIMITER switch

##### Indicators

POWER	Blue LED
LIMIT (per channel)	Blue LED
SIGNAL (per channel)	White LED (-20 dB, -10 dB, 0 dB)

##### Connectors

Inputs	Balanced XLR, ¼" TRS, RCA
Input impedance	10 kΩ unbalanced, 20 kΩ balanced
Outputs	Touch-proof binding posts, professional speaker connectors

Output circuit type	Class AB
Distortion	< 0.01%
Frequency Response	20 Hz - 20 kHz, +0/-1 dB
Damping Factor	> 220 @ 8 Ω
Signal-to-Noise	>100 dBA

POWER	Blue LED
LIMIT (per channel)	Blue LED
SIGNAL (per channel)	White LED (-20 dB, -10 dB, 0 dB)

##### Connectors

Inputs	Balanced XLR, ¼" TRS, RCA
Input impedance	10 kΩ unbalanced, 20 kΩ balanced
Outputs	Touch-proof binding posts, professional speaker connectors

Output circuit type	Class H, 2-tier
Distortion	< 0.01%
Frequency Response	20 Hz - 20 kHz, +0/-1 dB
Damping Factor	> 220 @ 8 Ω
Signal-to-Noise	>100 dBA

#### CIRCUIT PROTECTION

Cooling	Continuously variable speed fan Back-to-front air flow
Amplifier protection	Full short-circuit, open-circuit, thermal, and HF protection. Stable into reactive or mismatched loads
Load protection	On /off muting, DC-fault power supply shutdown

#### POWER SUPPLY / VOLTAGE (FUSES)

#### CIRCUIT PROTECTION

Cooling	Continuously variable speed fan Back-to-front air flow
Amplifier protection	Full short-circuit, open-circuit, thermal, and HF protection. Stable into reactive or mismatched loads
Load protection	On/off muting, DC-fault power supply shutdown

#### POWER SUPPLY / VOLTAGE (FUSES)

USA / Canada	120 V~, 60 Hz (T 15 A H 250 V)
UK / Australia	220-240 V~, 50/60 Hz (T 8 A H 250 V)
Japan	100 V~, 50/60 Hz (T 15 A H 250 V)
Power consumption	1300 W
Mains connector	Standard IEC receptacle

#### DIMENSIONS/WEIGHT

Dimensions (H x W x D)	3.7 x 19.0 x 10.6" 94 x 483 x 269 mm
Weight	14.8 lbs / 6.7 kg

USA / Canada	120 V~, 60 Hz (T 20 A H 250 V)
UK / Australia	220-240 V~, 50/60 Hz (T 8 A H 250 V)
Europe	220-240 V~, 50/60 Hz (T 10 A H 250 V)
Japan	100 V~, 50/60 Hz (T 20 A H 250 V)
Power consumption	2200 W
Mains connector	Standard IEC receptacle

#### DIMENSIONS/WEIGHT

Dimensions (H x W x D)	3.7 x 19.0 x 10.6" 94 x 483 x 269 mm
Weight	15.4 lbs / 7.0 kg

BEHRINGER is constantly striving to maintain the highest professional standards. As a result of these efforts, modifications may be made from time to time to existing products without prior notice. Specifications and appearance may differ from those listed or illustrated.

For service, support or more information contact the BEHRINGER location nearest you:

**Europe** Tel.: +49 2154 9206 4149, Fax: +49 2154 9206 4199  
**USA/Canada** Tel.: 1 425 672 0816, Fax: +1 425 673 7647  
**Singapore** Tel.: +65 5845 1800, Fax: +65 6214 0275

**Australia** Tel.: +61 3 9877 7170, Fax: +61 3 9877 7870  
**Japan** Tel.: +81 3 5281 1180, Fax: +81 3 5281 1181



©2010 Red Chip Company Ltd. Technical specifications and appearance subject to change without notice. The information contained herein is correct at the time of printing. All trademarks (except BEHRINGER, the BEHRINGER logo, EUROPOWER, EUROLIVE, ULTRACOUSTIC, V-AMPIRE, V-AMP, ULTRABASS, POWERPLAY, TRUTH and XENYX) mentioned belong to their respective owners, and such use neither constitutes a claim of the trademarks by Behringer nor affiliation of the trademark owners with Behringer. BEHRINGER accepts no liability for any loss which may be suffered by any person who relies either wholly or in part upon any description, photograph or statement contained herein. 985-10000-00454

**behringer.com**