

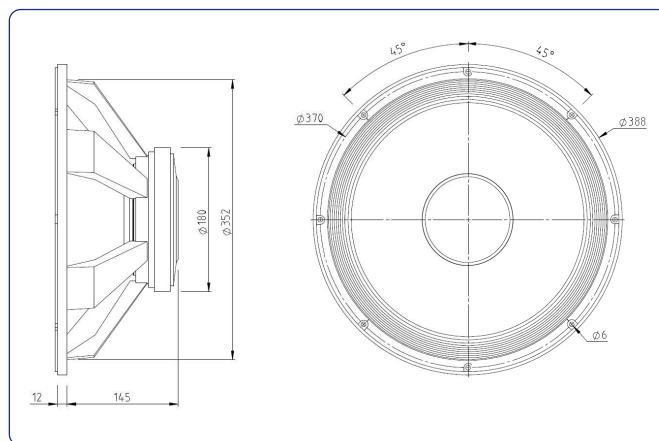
## KEY FEATURES

- High sensitivity: 98 dB
- High power handling: 400 W<sub>AES</sub>
- 3" copper voice coil
- Optimum winding length for increased linear excursion
- Extremely linear frequency response
- Extended response in the medium frequency range
- Low harmonic distortion
- High power woofer and midbass applications

## TECHNICAL SPECIFICATIONS

Nominal diameter	380 mm	15 in
Rated impedance		8 Ω
Minimum impedance		7,2 Ω
Power capacity*	400 W <sub>AES</sub>	
Program power	800 W	
Sensitivity	98 dB	1W @ 1m @ Z <sub>N</sub>
Frequency range	35 - 3.000 Hz	
Voice coil diameter	77 mm	3 in
BI factor		17,4 N/A
Moving mass		0,086 kg
Voice coil length		17,5 mm
Air gap height		7 mm
X <sub>damage</sub> (peak to peak)		30 mm

## DIMENSION DRAWINGS



## THIELE-SMALL PARAMETERS\*\*

Resonant frequency, f <sub>s</sub>	35 Hz
D.C. Voice coil resistance, R <sub>e</sub>	6,4Ω
Mechanical Quality Factor, Q <sub>ms</sub>	8,5
Electrical Quality Factor, Q <sub>es</sub>	0,40
Total Quality Factor, Q <sub>ts</sub>	0,38
Equivalent Air Volume to C <sub>ms</sub> , V <sub>as</sub>	267 l
Mechanical Compliance, C <sub>ms</sub>	243 μm / N
Mechanical Resistance, R <sub>ms</sub>	2,2 kg / s
Efficiency, η <sub>0</sub>	2,7 %
Effective Surface Area, S <sub>d</sub>	0,088 m <sup>2</sup>
Maximum Displacement, X <sub>max</sub> ***	7,25 mm
Displacement Volume, V <sub>d</sub>	638 cm <sup>3</sup>
Voice Coil Inductance, L <sub>e</sub> @ 1 kHz	1,2 mH

## MOUNTING INFORMATION

Overall diameter	388 mm	15,28 in
Bolt circle diameter	370 mm	14,57 in
Baffle cutout diameter:		
- Front mount	352 mm	13,86 in
Depth	160 mm	6,3 in
Volume displaced by driver	6 l	0,22 ft <sup>3</sup>
Net weight	6,5 kg	14,33 lb
Shipping weight	7,4 kg	16,31 lb

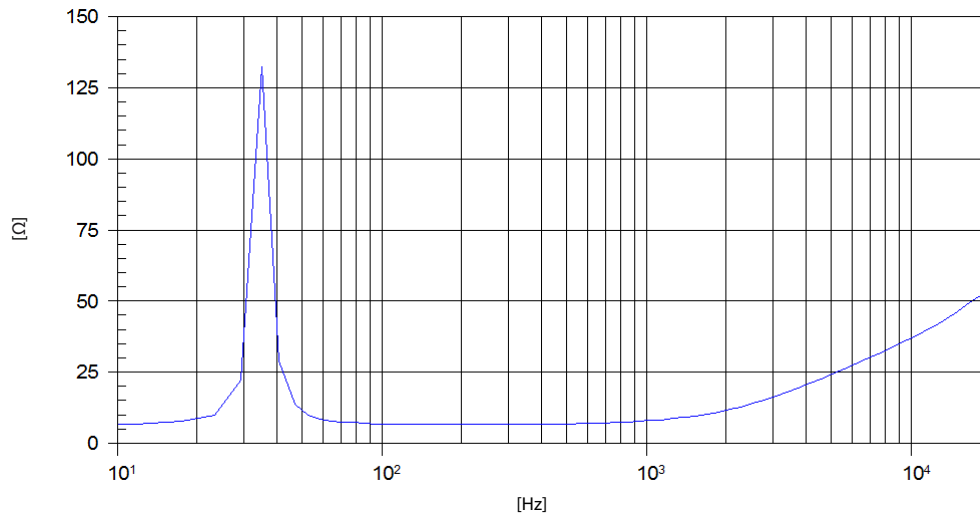
### Notes:

\* The power capacity is determined according to AES2-1984 (r2003) standard. Program power is defined as the transducer's ability to handle normal music program material.

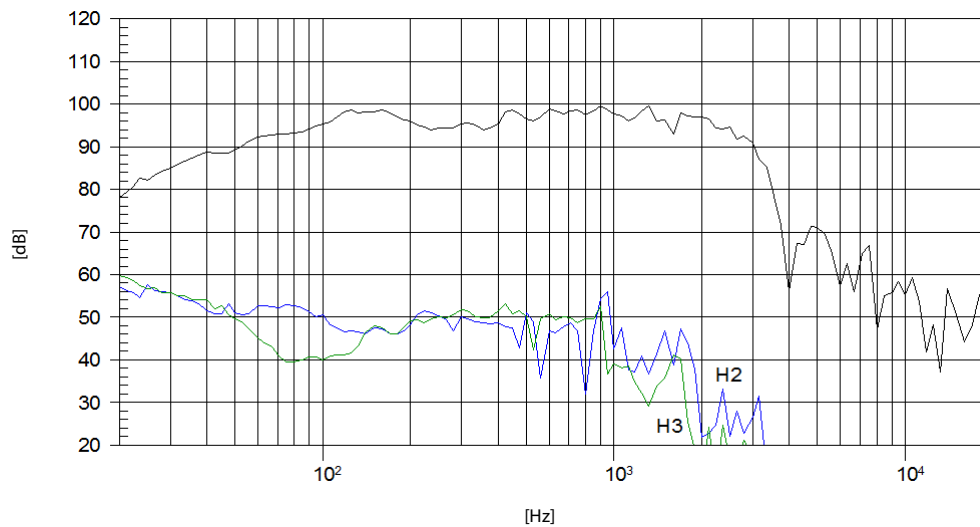
\*\* T-S parameters are measured after an exercise period using a preconditioning power test. The measurements are carried out with a velocity-current laser transducer and will reflect the long term parameters (once the loudspeaker has been working for a short period of time).

\*\*\* The X<sub>max</sub> is calculated as (L<sub>vc</sub> - H<sub>ag</sub>)/2 + (H<sub>ag</sub>/3,5), where L<sub>vc</sub> is the voice coil length and H<sub>ag</sub> is the air gap height.

## FREE AIR IMPEDANCE CURVE



## FREQUENCY RESPONSE AND DISTORTION



Note: On axis frequency response measured with loudspeaker standing on infinite baffle in anechoic chamber, 1W @ 1m