



Ultra flat stage monitor fitted with light-weight coaxial 15" / 1.4" Neodym drivers and an integrated digital amplifier electronics with a DSP controller featuring four presets to suit various applications. With high power reserves, homogeneous sound distribution and low tendency to feedback, the M 3 is a tool that will greatly simplify a sound engineer's job. Combined with the optional flying bracket, the system can also be used both as a down-fill and as a universal sound system.

## PRODUCT SPECIFICATIONS

<b>Speaker Components</b>	15" Nd / 1,4" Nd Coaxial
<b>Description</b>	Low Profile Monitor
<b>Amp Power</b>	LF: 1000 W AES / 110-230 V HF: 350 W AES / 110-230 V
<b>Rated Current</b>	0,95 A @ 230 V
<b>SPL</b> <small>Peak @ 1 m</small>	134 dB
<b>Max. Input Signal</b>	25 dBu
<b>DSP</b>	HDLM FPGA Processing 32 bit floating point
<b>AD / DA</b>	24 bit / 96 kHz
<b>Latency</b>	0,8 ms (analog in to analog out)
<b>Usable Range</b>	65 Hz - 19 kHz (- 6 dB)
<b>Tuning Frequency</b> <small>excursion minimum</small>	70 Hz
<b>X - Overpoint</b> <small>acoustical</small>	Depends on preset
<b>Coverage</b> <small>horizontal / vertical</small>	60° - conical
<b>Max. Splay Angle</b>	- - -
<b>Connectors</b>	Neutrik XLR in/out Neutrik PowerCon in/out
<b>Handles</b>	2 x
<b>Rigging / Fittings</b>	2 x M10
<b>Weight</b>	19 kg
<b>Size</b> <small>height x width x depth</small>	30,9 x 45,0 x 54,0 cm
<b>Order No.</b>	<b>01067/dp</b>



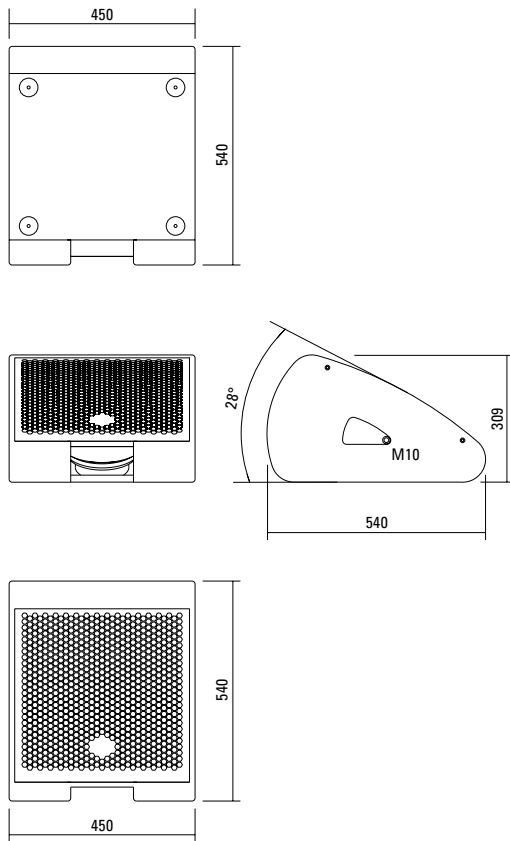
The attractively formed handle cutouts guarantee comfortable handling.



The connectors are good face accessible to the user.

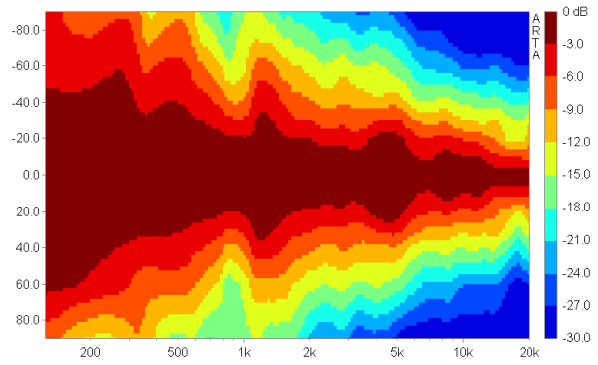


## DIMENSIONS

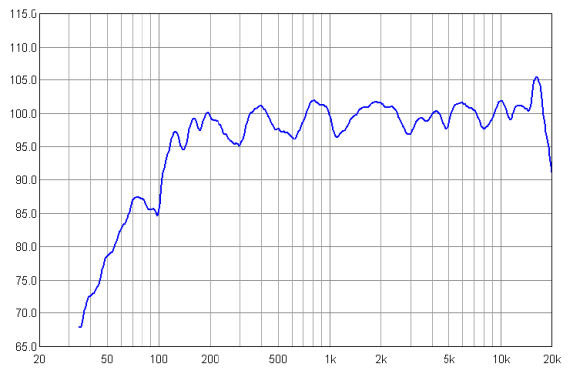


## MEASUREMENTS

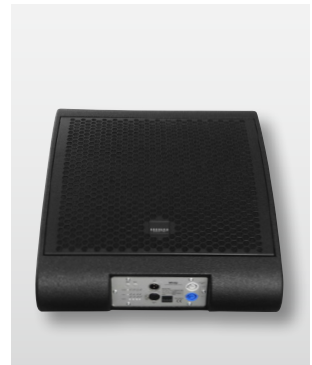
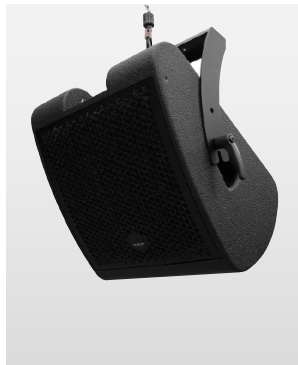
2D Directivity Plot - horizontal



Frequency Response



## APPLICATIONS



**The M 3 dp features integrated digital amplifier electronics with a DSP controller. Various factory-configured presets and volume settings can be selected.**

High-grade electronic components from the industrial sector

and a first-class circuit design ensure excellent audio quality with low distortion and a minimal noise floor.

Highly efficient and “intelligent” limiter systems ensure optimum protection against overload, without restricting the possibilities offered by this high-performance sound system.

**Mode - key**  
Switches between control modes: Status, Level and Presets.

**Set - key**  
Setting of various values and Mute on / off.

**XLR**  
Symmetrical analog input, max. Input +25 dBu. Effective filter protection against HF interference and DC Voltages. Virtual ground lift.

**PowerCon (grey)**  
~110-230 V / 16 A max. loop through connector

**PowerCon (blue)**  
Power supply ~110-230 V / 16 A max.

**Presets**  
**Flat**  
This setting provides a linear frequency response with a neutral sound characteristics. Standard setting for many applications.  
**Floor**  
Low-mid correction to compensate for coupling effects with a floor surface.  
**Low**  
Reduction in the low-mid range to compensate for coupling effects between two monitors.  
**Soft**  
Reduces the level in the frequency range from 2.5 - 5 kHz, to which the ear is particularly sensitive. This setting is recommended for high level reproduction of highly compressed music tracks.

**Level**  
Adjustment in 3 dB steps (-6 dB to +3 dB).

**Status**  
**Mute LED**  
Red light when the system is muted or under technically critical conditions.  
**Limit LED**  
Yellow light when the limiter is restricting the level.  
**Signal LED**  
Green light when the input signal exceeds -20 dBu.  
**Power LED**  
Green light when the system is switched on.

## ACCESSORIES M 3 dp

### Flying Bracket



for M 3  
incl. screws  
(per unit: 2 pcs. M10 x 60 adjustable  
handle screws)  
Order No. **01218**

### Handle Screw



for flying brackets, adjustable  
M10 x 60  
Order No. **08375/60**

### Flange



for flying brackets,  
35 mm Ø → M10,  
Order No. **08126**

### Doughty Trigger Clamp



for flying brackets,  
SWL 200 kg  
Order No. **01222**

### Steel Safety Cable



4 mm - 50 cm  
Order No. **01376**

### Chain Fastener



VBS 7 mm  
Order No. **01378**

### Ring Screw



M10– DIN 580,  
black zincd  
Order No. **73700**

### TV Spigot



10 mm internal thread,  
28 mm Ø  
Order No. **08128**

### Rain Cover



for M 3  
Order No. **01229/M3/outdoor**

### Flight Case



für 2 pcs. M 3  
heavy duty, 6,5 mm birch multiplex,  
PVC coated, 6 pcs recessed sprung  
handles, 100 mm blue wheels, 2 pcs.  
with brake, interior lined with felt.  
Order No. **16018/pro**

### Hybrid Cable System



PowerCon-PowerCon / XLR-XLR  
2,5 m      Order No. **08462**  
5 m        Order No. **08464**  
10 m      Order No. **08466**  
15 m      Order No. **08468**