



Technische Informationen

Engineering Data Sheet

C 15.2

15" / 1.25"
2-Way Fullrange Cabinet

Features:

- Multi-Functional 2-Way Cabinet
- 500 W, 8 Ohms
- 90° x 50° Coverage Pattern
- 100 dB Sensitivity, 133 dB Maximum SPL
- Crossover with HF Protection
- SMX2151 LF Transducer
- DH3 Compression Driver
- Pole Mount for Tripod Use
- M8 Threaded Points
- Mounting Points to attach optional Mounting Bracket

	C 15.2
Order No.	F01U165092
Cabinet	Fullrange
Configuration	Passive 2-Way
Nominal impedance	8 Ohms
Minimum Impedance	5.3 Ohms
Rated Power RMS	500 W
Peak Power	2000 W
Sound pressure level	
SPL 1 W / 1 m	100 dB
Max. SPL 1 m (calculated with peak power)	133 dB
Frequency Range (-10 dB)	57 Hz to 20 kHz
Nominal Coverage Angle (Horizontal x Vertical)	90° x 50°
X-Over Frequency	1550 Hz
LF Transducer	SMX2151, 15" (381 mm) Driver
HF Transducer	DH3, 1.25" (32mm) Diaphragm Compression Driver
Connectors	2x Neutrik Speakon NL4 Full-Range 1+ / 1- Wired through 2+ / 2-
Dimensions (W x H x D)	445 mm x 660 mm x 445 mm (17.5" x 26.0" x 17.5")
Net Weight	28.3 kg (62.4 lbs)
Shipping Weight	31.8 kg (70.1 lbs)
Enclosure material	MDF with D-PUR PLUS
Grille	Steel, Black Finish with Acoustic Gauze
Suspension	3x M8 threaded Points - 1x on Each Side and 1x on the Rear of Enclosure
Warranty	5 years
Optional Accessories	
DC-MBC15-UMH	F01U169671
TMA Tilt Angle for UMH	F01U118977
RMA Rotatable Mounting kit	F01U118976
TC-02 Truss clamp	F01U100657
EBK-M8 Eye Bolt Kit	F01U166797
Spare Parts	
LF Transducer	F01U134309
HF Transducer	F01U103119



Wir weisen ausdrücklich darauf hin, dass bei gehängten Lautsprecherboxen die einschlägigen Sicherheitsbestimmungen zu beachten sind. Es muss unbedingt qualifizierte Fachberatung in Anspruch genommen werden!

We expressly point out that the relevant safety regulations must be observed for "flying" loudspeaker systems. It is imperative that qualified expert advice is sought.

WARNING:

THIS LOUDSPEAKER SYSTEM CAN PERMANENTLY DAMAGE HEARING! USE EXTREME CARE WHEN SETTING SOUND PRESSURE LEVELS!

DANGER:

CONSULT A CERTIFIED STRUCTURAL ENGINEER BEFORE ANY ATTEMPT TO SUSPEND THIS LOUDSPEAKER! LOUDSPEAKER CAN FALL FROM IMPROPER SUSPENSION, RESULTING IN SEVERE INJURY AND DAMAGE OF PROPERTY. DO NOT SUSPEND OR MOUNT ANY OTHER PRODUCT OR DEVICE FROM THIS LOUDSPEAKER ENCLOSURE! USE GRADE 5 HARDWARE OR BETTER ONLY!

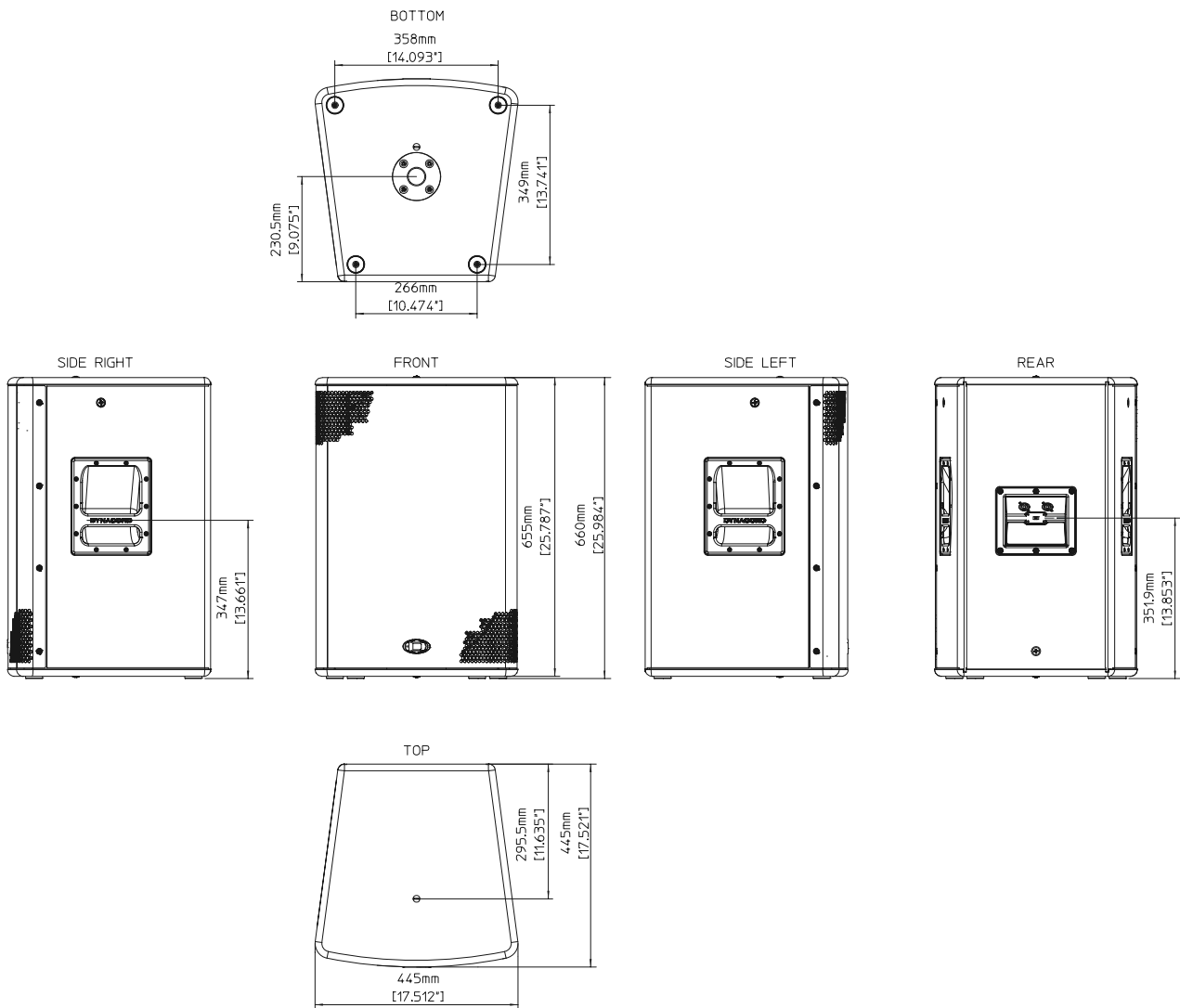
Beschreibung

Mit der C 15.2 bietet DYNACORD eine äußerst kompakte, trapezförmige 15" / 2-Weg Fullrange Box mit einer sehr hohen Belastbarkeit von 500 W Continuous / 2000 W Peak und einem Wirkungsgrad von 100 dB 1W / 1m für Anwendungen, die einen erweiterten Tieftonbereich erfordern. Dort kommt ein SMX 2151 Woofer zum Einsatz, im Hochtonbereich arbeitet ein DH3 Compression-Treiber in ein 90° x 50° Constant Directivity Horn für den Frequenzbereich oberhalb 1550 Hz. Flugpunkte für Eyebolts erlauben vertikale oder horizontale Aufhängung. Zusätzlich ist optional ein Montagebügel (DC-MBC15-UMH) erhältlich, der kompatibel ist zum DYNACORD PI-Easy Montagesystem zur Ausrichtung in bis zu drei Ebenen. Zur einfachen Erweiterung der Tiefbass-Performance wird ein parallel geschalteter Sub 1.18 Subwoofer empfohlen. Diese Kombination ist auch ideal für ein Aktiv-2-Weg System zusammen mit den Controllern DSP 260 oder DSP 600 und Endstufen der SL-Serie geeignet.

Description

In the C 15.2, DYNACORD is offering an extremely compact, trapezoidal 15" / two-way full-range cabinet boasting very good power handling (500 W continuous / 2000 W peak) and sensitivity of 100 dB 1W / 1m for applications requiring an extended low end. Here, an SMX 2151 woofer is used, whilst in the high frequency range, a DH3 compression driver into a 90° x 50° constant directivity horn transduces everything above 1550 Hz. Flying points for eyebolts are provided to permit either vertical or horizontal suspension. Also available as an option is the DC-MBC15-UMH mounting bracket, which is compatible with the DYNACORD PI-Easy mounting system and supports up to three levels of orientation. To extend the low bass performance, a Sub 1.18 subwoofer connected in parallel is recommended. This combination is also ideal for an active two-way system together with the DSP 260 or DSP 600 controllers and power amplifiers from the SL series.

Illustration 1: Dimensions



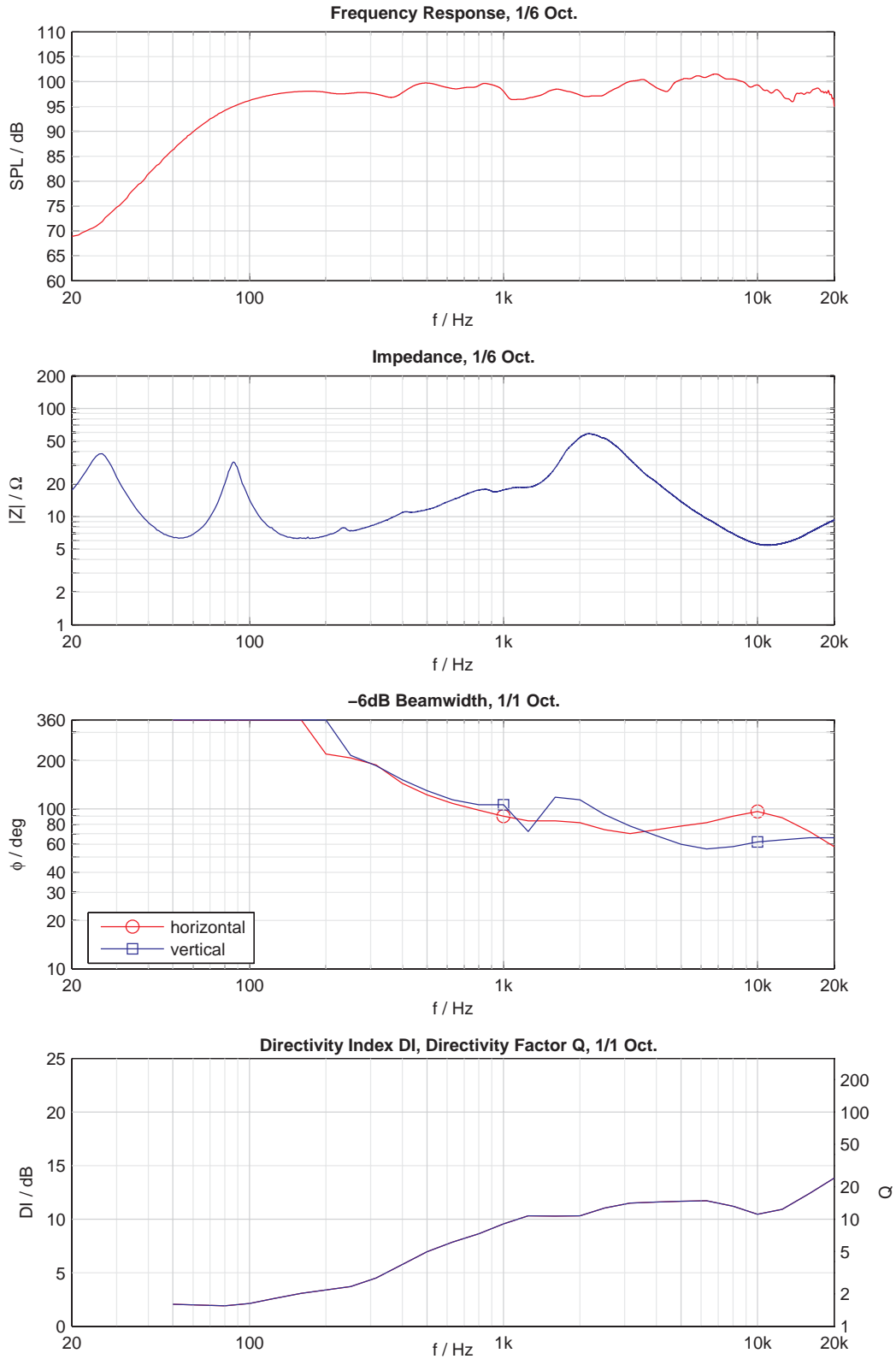


Illustration 3: Block diagram

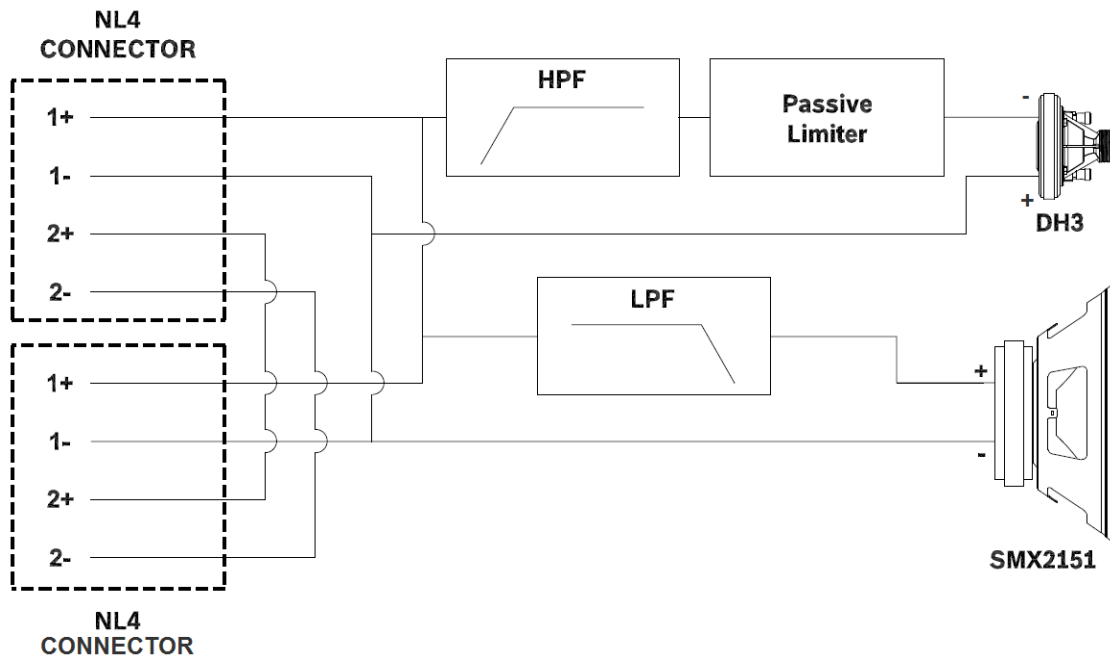


Illustration 4: Horizontal Directivity

Horizontal Directivity, 3dB/Div, 30dB Radius, 1/1 Oct.

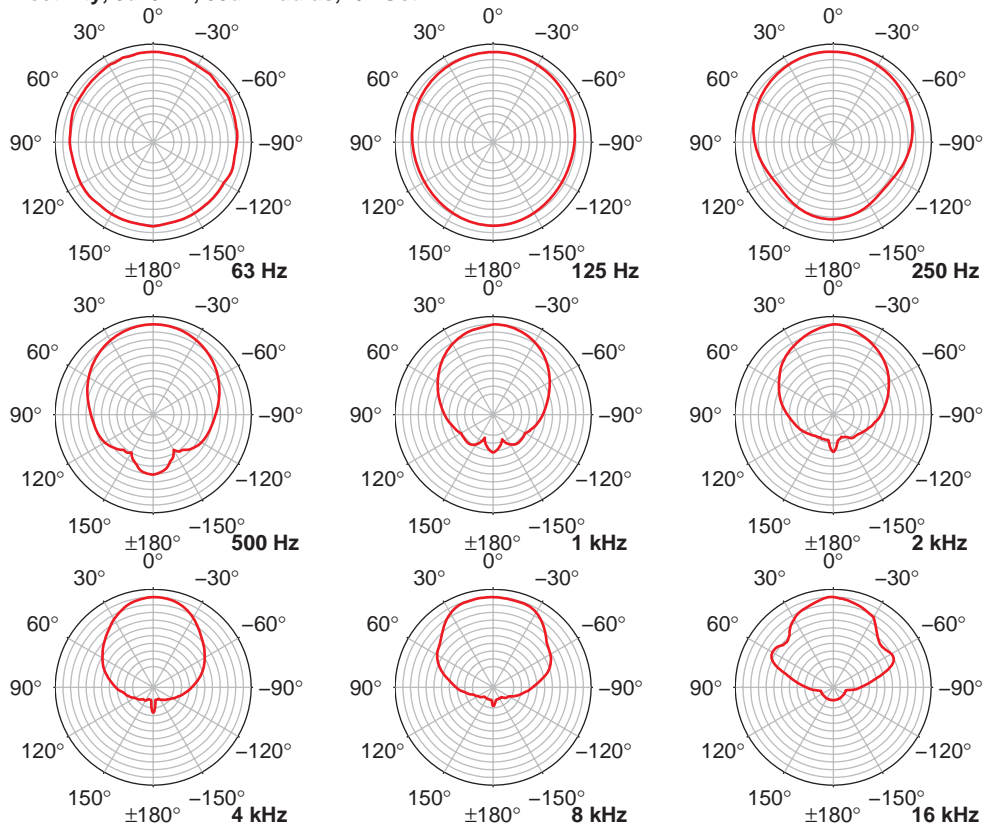
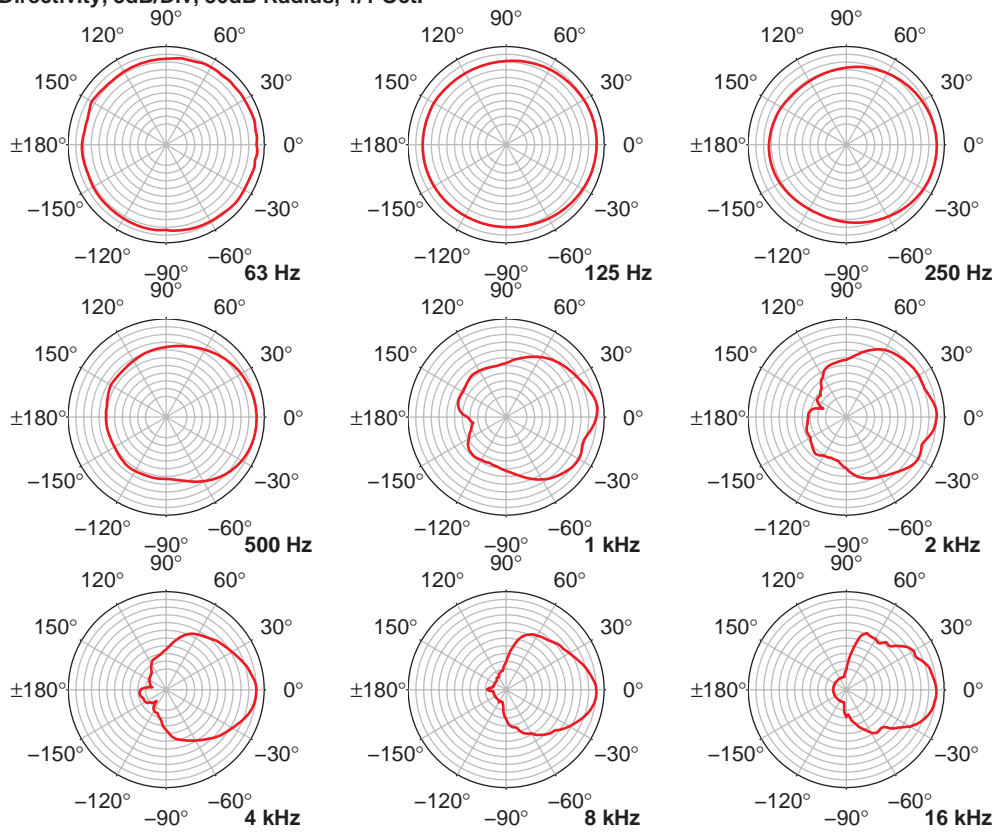


Illustration 5: Vertical Directivity.

Vertical Directivity, 3dB/Div, 30dB Radius, 1/1 Oct.



Rigging

Illustration 6: Remove the M8 Screws from the Loudspeaker, then install the Washers and Eyebolts (EBK-M8 Eye Bolt Kit) to the Loudspeaker

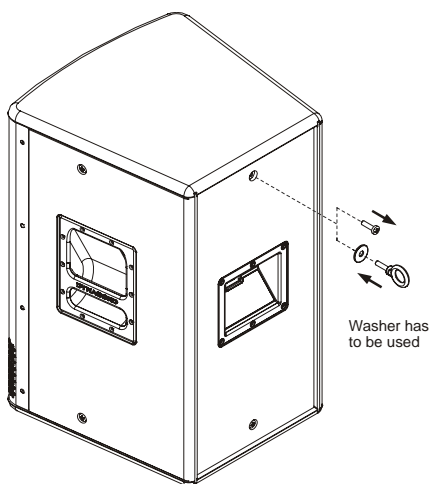


Illustration 7: Eyebolts shown oriented in the plane of pull (CORRECT)

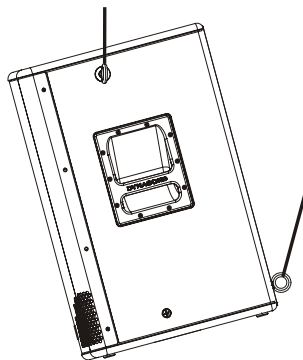


Illustration 8: Eyebolts not oriented in the plane of pull (INCORRECT)

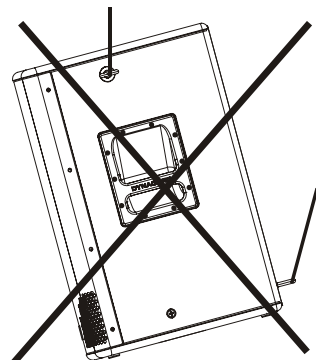


Illustration 9: Vertical orientation

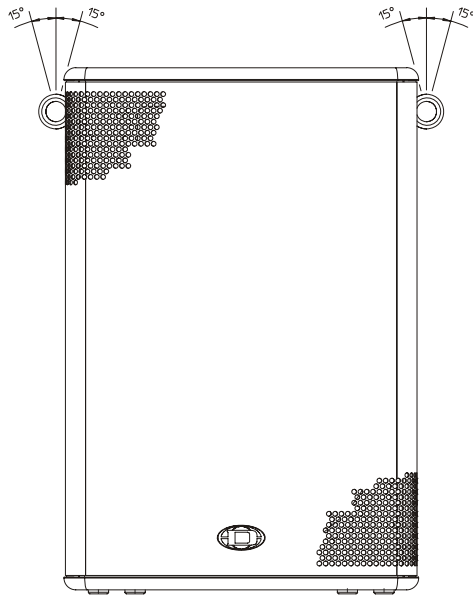
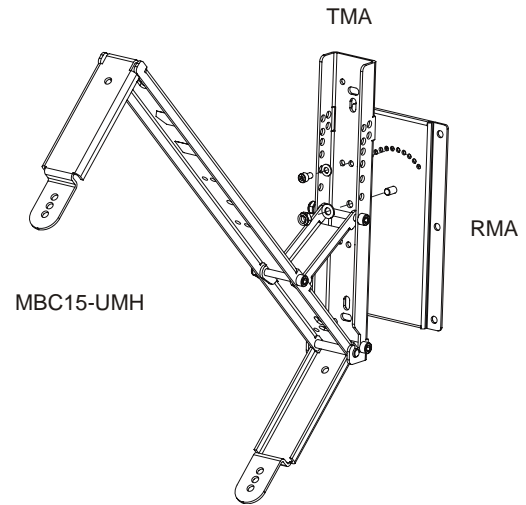


Illustration 10: Optional Accessories



CAUTION: Eyebolts must be fully seated and orient in the plane of pull as shown. Always use washers under the eyebolt to distribute the load on the enclosure.



12000 Portland Avenue South, Burnsville, MN 55337, USA
Phone: +1 952/844-4051, Fax: +1 952/884-0043

www.dynacord.com

© Bosch Communications Systems 09/2010
Part Number F01U164316 Vs 01

Europe, Africa, and Middle East only. For customer orders, contact Customer Service at:
+49 9421-706 0 Fax: +49 9421-706 265

Asia & Pacific only. For customer orders, contact Customer Service at:
+65 6571 2534 Fax: +65 6571 2699

For technical assistance, contact Technical Support at: **+49 9421-706 0**

Specifications subject to change without notice.