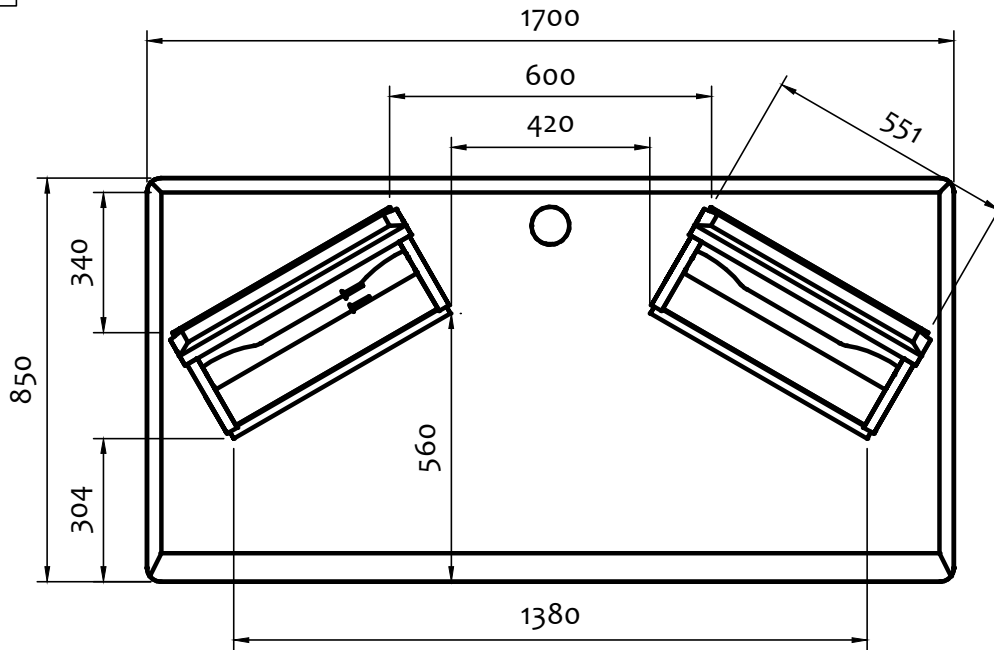
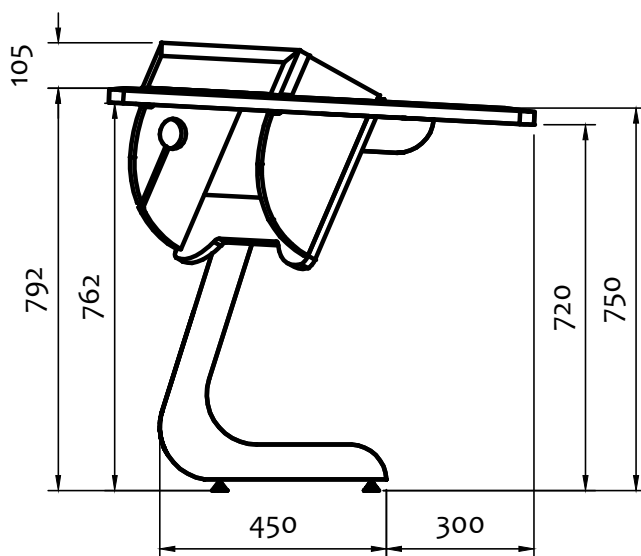


Technical Plan (in mm)

TOP VIEW



SIDE VIEW



DIAGONAL VIEW

