

Jensen Vintage Ceramic Series 8"- 50W Vintage Ceramic Loudspeaker C 8 R - 8 Ω Code ZJ04020

GENERAL CHARACTERISTICS

Nominal Overall Diameter	207	mm
Nominal Voice Coil Diameter	25	mm
Magnet Weight	280	g
Flux Density.....	1.00	T
Weight.....	0.99	Kg

THIELE-SMALL PARAMETERS

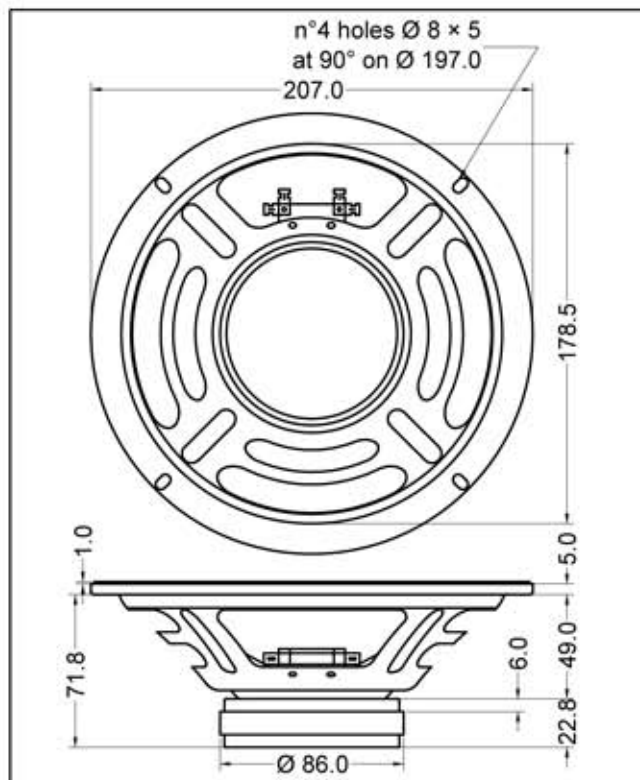
Voice Coil DC Resistance	R_E	7.00	Ω
Resonance Frequency	f_s	125.0	Hz
Mechanical Q Factor.....	Q_{MS}	11.61	
Electrical Q Factor.....	Q_{ES}	2.21	
Total Q Factor.....	Q_{TS}	1.86	
Mechanical Moving Mass	M_{MS}	8.7	g
Mechanical Compliance.....	C_{MS}	182	μm/N
Force Factor	$B \times l$	4.69	Wb/m
Equivalent Acoustic Volume.....	V_{AS}	11.7	lt.
Maximum Linear Displacement	X_{MAX}	+/-1.0	mm
Reference Efficiency	η_D	1.03	%
Diaphragm Area	S_D	213.8	cm ²
Losses Electrical Resistance.....	R_{ES}	37.0	Ω
Voice Coil Inductance @ 1kHz	L_E	0.43	mH

CONSTRUCTIVE CHARACTERISTICS

Magnet.....	Ferrite
Voice Coil Winding.....	Copper
Voice Coil Former.....	Kapton
Cone	Paper
Surround.....	Paper - Integrated
Dust Dome	Treated Cloth
Basket	Pressed Sheet Steel

ELECTRICAL CHARACTERISTICS

Nominal Impedance.....	8	Ω
Musical Power	50	W
Rated Power*	25	W
Sensitivity @ 1 W, 1 m	92.7	dB



*rated power measured with 2 hours test with pink noise signal, 6 dB crest factor, loudspeaker mounted on enclosure

Frequency Response on IEC Baffle (DIN 45575) @ 1 W, 1 m - Impedance

