

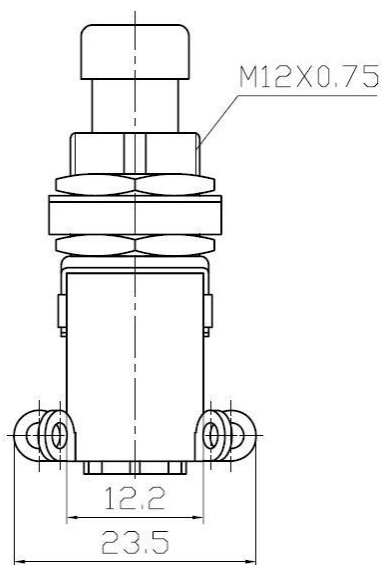
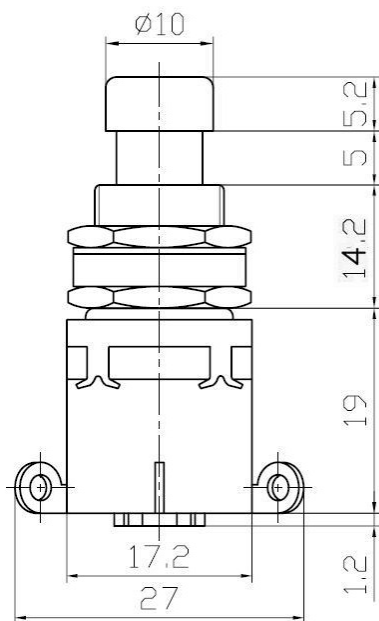


part no.: SW1045

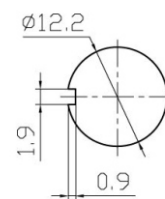
DPDT Push switch with solder lugs

electrical specification:

rating: 4A@125V; 2A@250V AC
contact R: 20mΩ max.
insulation: 500V DC, 100MΩ min.
Dielectric strenght: 1 min 1000V AC
electrical life: 10,000 cycles



Mounting



Circuitry

