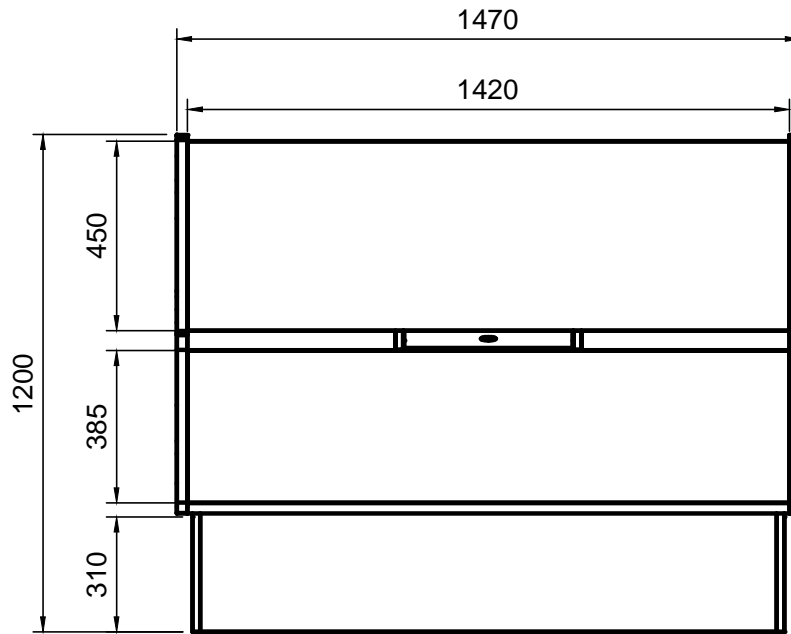
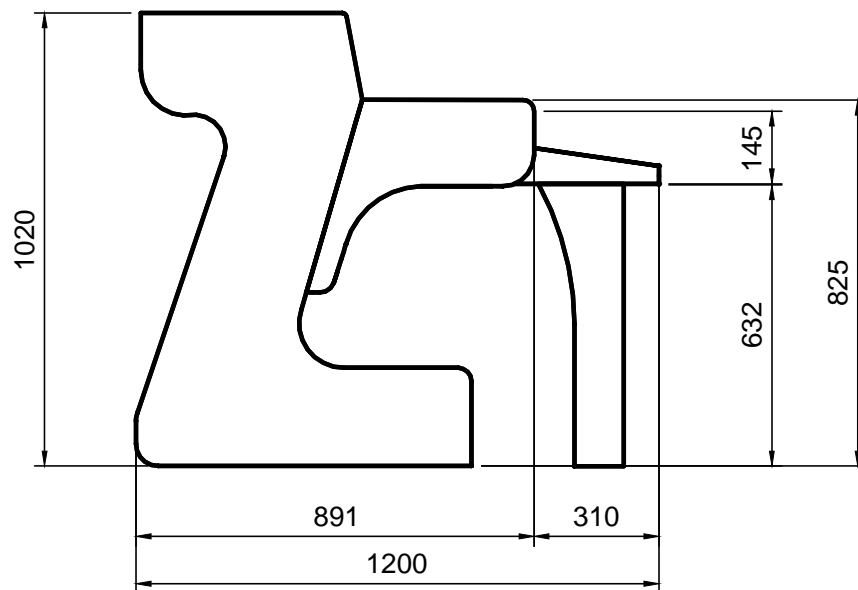


## Technical Plan (in mm)

TOP VIEW

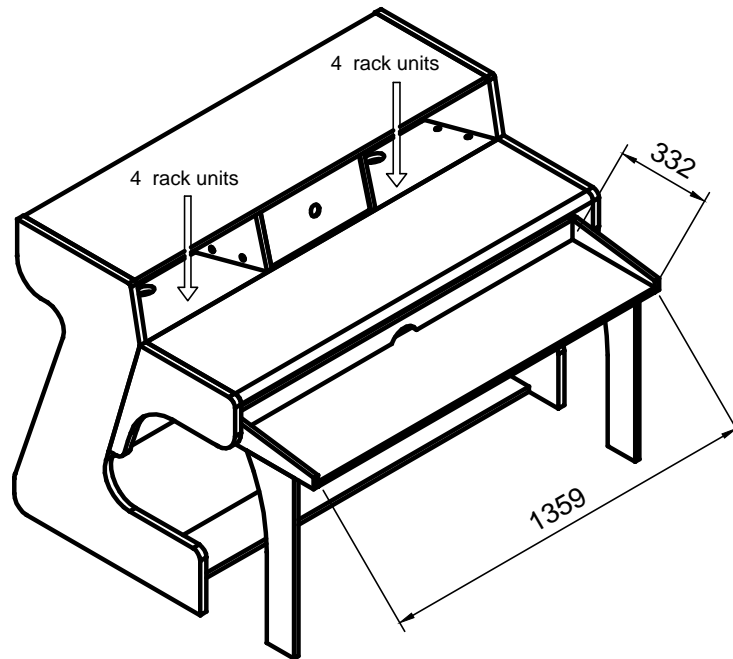


SIDE VIEW



### Technical Plan

DIAGONAL VIEW



DIAGONAL VIEW

