



Technische Informationen

Engineering Data Sheet

PSD 218

18" Powered Subwoofer

Features:

- 18" Powered Subwoofer
- 130 dB max. SPL
- 2 x 1000 W RMS Class-D Amplifier
- 24 bit one-into-three DSP controller
- DSP presets for DYNACORD fullrange speakers
- Line In, Line Thru, TOP out, SUB out
- DSP out for delay lines, front fills,...
- Integrated Graphic EQ and signal generator



Wir weisen ausdrücklich darauf hin, dass bei gehängten Lautsprecherboxen die einschlägigen Sicherheitsbestimmungen zu beachten sind. Es muss unbedingt qualifizierte Fachberatung in Anspruch genommen werden!

We expressly point out that the relevant safety regulations must be observed for "flying" loudspeaker systems. It is imperative that qualified expert advice is sought.

WARNING:

**THIS LOUDSPEAKER SYSTEM CAN PERMANENTLY DAMAGE HEARING!
USE EXTREME CARE WHEN SETTING SOUND PRESSURE LEVELS!**

DANGER:

CONSULT A CERTIFIED STRUCTURAL ENGINEER BEFORE ANY ATTEMPT TO SUSPEND THIS LOUDSPEAKER! LOUDSPEAKER CAN FALL FROM IMPROPER SUSPENSION, RESULTING IN SEVERE INJURY AND DAMAGE OF PROPERTY. DO NOT SUSPEND OR MOUNT ANY OTHER PRODUCT OR DEVICE FROM THIS LOUDSPEAKER ENCLOSURE! USE GRADE 5 HARDWARE OR BETTER ONLY!

Property	PSD 218
Order No.	F01U215170
Cabinet	Powered Subwoofer 1 x 18" vented design
Maximum Amplifier Output Capability	3200 W
Amplifier Power RMS	2 x 1000 W
Amplifier Output TOP SPEAKER	1000 W @ 4 Ohm
Amplifier Output EXTERNAL SUB	500 W @ 8 Ohm
Output Stage Topology , amplifier	Class D
Signal/Noise-Ratio power amplifier, A-weighted	101 dB
DIM 30 power amplifier, 3.15 kHz, 15 kHz	< 0.05%
IMD-SMPTE power amplifier, 60 Hz, 7 kHz	< 0.15%
Max. SPL 1 m / calc.	130 dB
Frequency Range (-10 dB)	34 Hz to X-Over
Input Level	+8 dBu
Input Impedance	20 kOhm
Presets	20 factory presets, 5 user memories
Display	128 x 64 pixels, OLED
Sub Transducer	DVX-3180A
Power Requirement	100 to 240 V AC, 50 to 60 Hz, 5.2 to 2.7 A
Operating Temperature Range	0 °C to 40 °C
Protection	
Amplifier	Audio Limiters, High Temperature, DC, HF, Short Circuit, Peak Current Limiters, Turn-on Delay, Back EMF
Switching Mode Power Supply	Inrush Current Limiters, Mains Over/Undervoltage, Mains Overcurrent, High Temperature
Dimensions (W x H x D)	759 mm x 575 mm x 694 mm
Net Weight	47.8 kg
Shipping Weight	53.8 kg
Enclosure material	15 mm Multi-ply wood
Finish	Black, scratch-proof
Grille	Steel, black finish
Wheels	4
Handles	2
Thread plate for distance piece	M20
Warranty	36 months
Recommended extensions	
TS 400 Vertical Array Cabinet	F01U215165
PSE 218 Passive Subwoofer Extension	F01U215172
Optional Accessories	
Dust Cover	SH-PSD-E 218: F01U215186

Beschreibung

Der DYNACORD PSD 218 ist ein Hochleistungs-Subwoofer mit integriertem 2-Kanal-Leistungsverstärker (Class D, 2 x 1000 Watt RMS an 4 Ohm) und einem 24 Bit 1-in-3 DSP-Controller mit interner 48 Bit Double-Precision Auflösung. Er eignet sich damit hervorragend zum sehr einfachen und komfortablen Aufbau von aktiven 2-Weg-Systemen ohne zusätzliche externe Endstufen und Controller.

Der PSD 218 wartet mit einer Performance auf, wie sie von typischen 18"-Subwoofern im professionellen Concert-Sound erwartet wird. Er ist mit einem 18" Electro-Voice DVX3180 Langhub-Chassis bestückt und bietet ein weit hinreichendes Tiefbass-Fundament.

Der DYNACORD PSE 218 ist die passive Variante des PSD 218 ohne Verstärker-Modul und ohne DSP-Controller.

Description

The DYNACORD PSD 218 is equipped with an integrated two-channel Class D power amplifier (2 x 1000 watts RMS into 4 ohms) and 24 bit one-into-three DSP controller with 48 bit double precision internal resolution, eliminating the need for external controllers and power amplifiers.

The PSD 218 with an 18" Electro-Voice DVX3180 long-excursion woofer delivers the performance demanded of 18" subwoofers in professional concert sound applications. It produces extended low frequency response from a compact enclosure with plenty of punch.

The DYNACORD PSE 218 is the passive versions of the PSD sub sharing the same dimensions, transducer configuration, and acoustic characteristics as the PSD 218.

Illustration 1: Dimensions

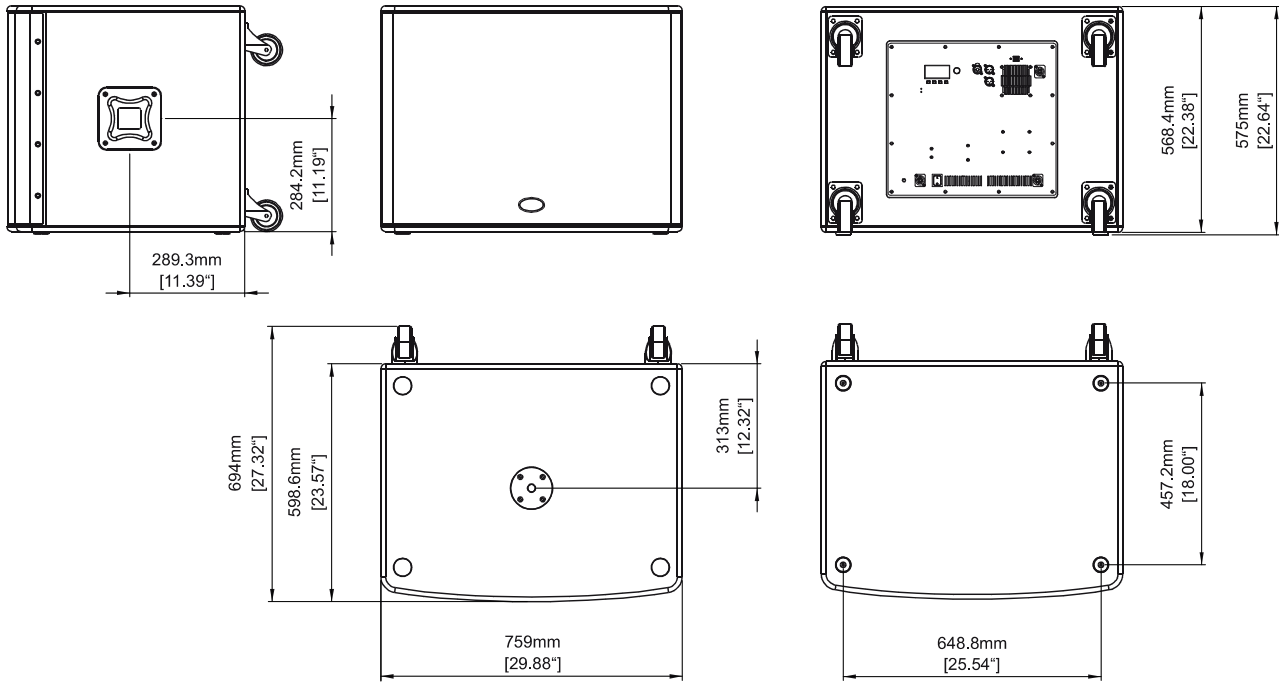


Illustration 2: Rear Panel

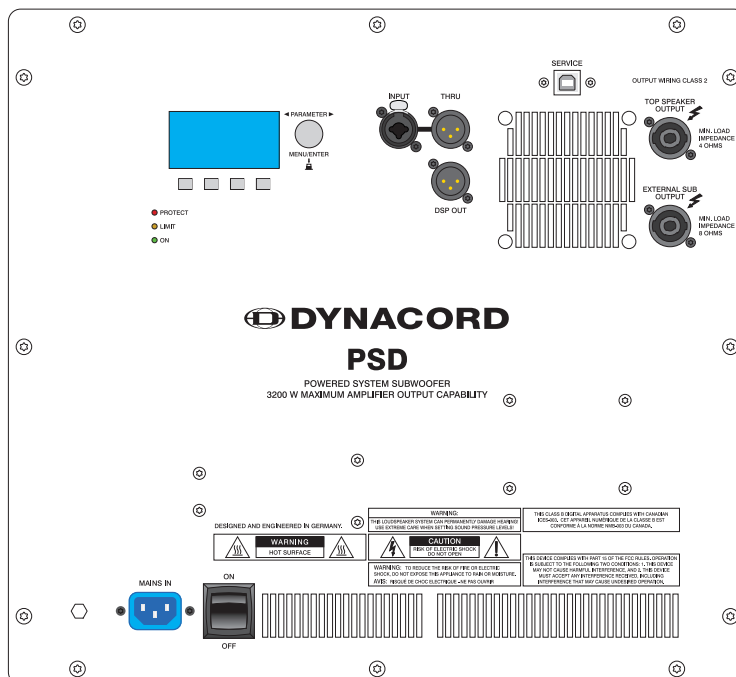


Illustration 3: Frequency Response

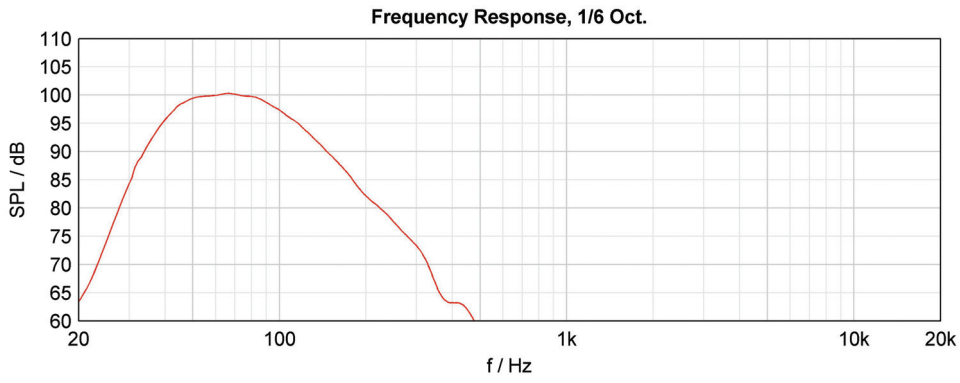
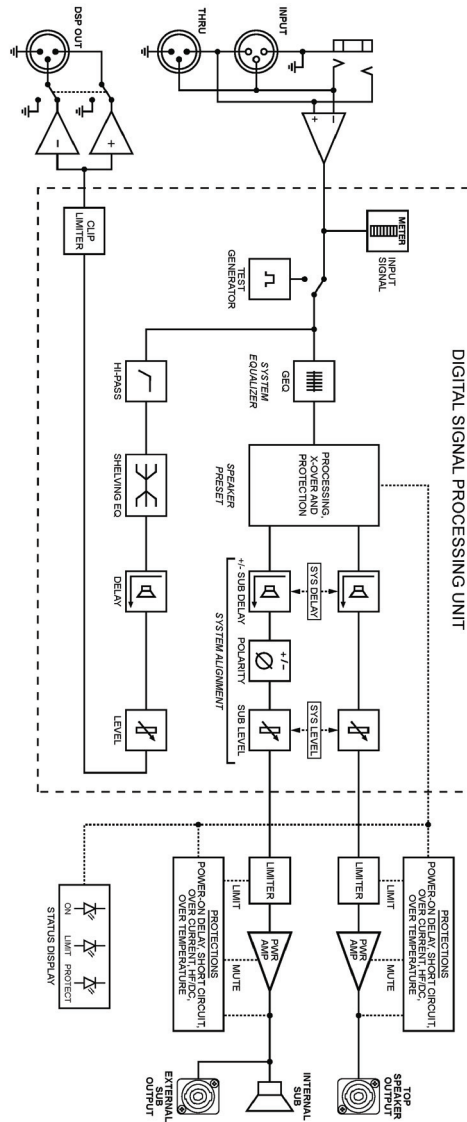


Illustration 4: Block diagram



12000 Portland Avenue South, Burnsville, MN 55337, USA
 Phone: +1 952/844-4051, Fax: +1 952/884-0043

www.dynacord.com

© Bosch Communications Systems 06/2012
Part Number F01U215170 Vs 03

Europe, Africa, and Middle East only. For customer orders, contact Customer Service at: **+49 9421-706 0 Fax: +49 9421-706 265**

Asia & Pacific only. For customer orders, contact Customer Service at: **+65 6571 2534 Fax: +65 6571 2699**

For technical assistance, contact Technical Support at: **+49 9421-706 0**

Specifications subject to change without notice.