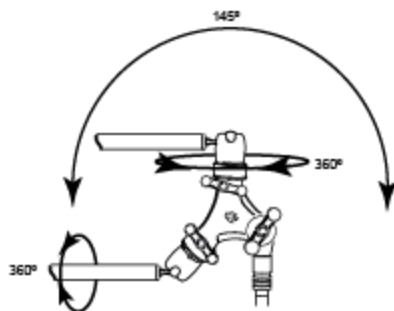
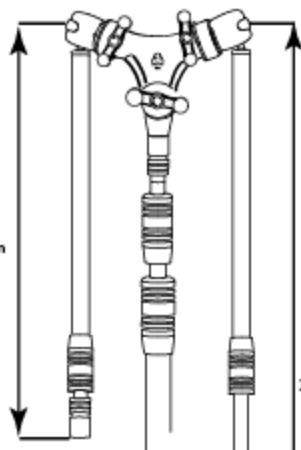


# O2

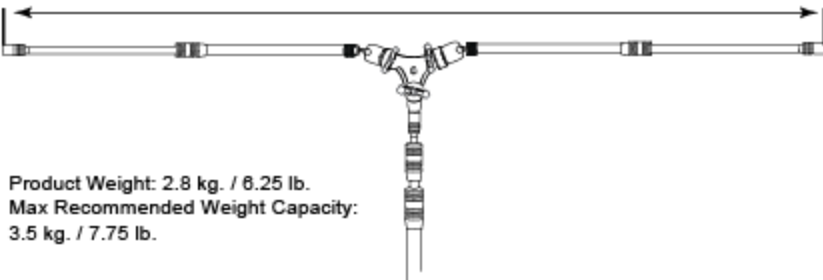


16.5' / 42 cm



28.75' / 76 cm

Wingspan: 104 – 151 cm. / 40.75 – 59.5 in.



Product Weight: 2.8 kg. / 6.25 lb.  
Max Recommended Weight Capacity:  
3.5 kg. / 7.75 lb.