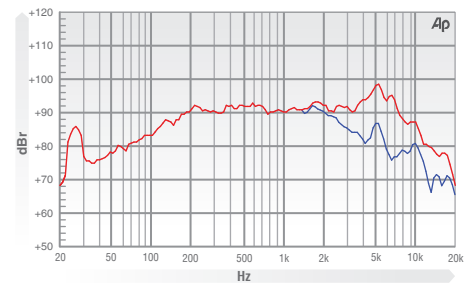




STUDIO 5HPM

Exceptional power handling and frequency coverage from compact dimensions. Primarily for full-range sound reinforcement and because of extended frequency response is also suited to multi-unit PA systems. Performance is optimised for midrange range singular / multiple use.

FREQUENCY RESPONSE DATA*

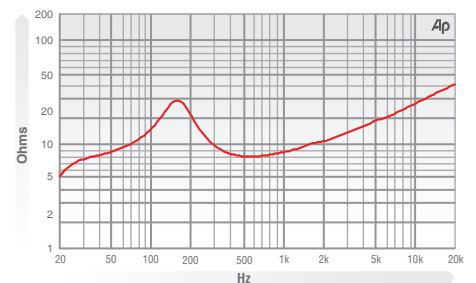


* Half space response measured in a 975 litre sealed box

ELECTRO ACOUSTIC SPECIFICATIONS	
Nominal Chassis Diameter	5"
Impedance	4.8, 16 Ω
Power Handling	100 w (A.E.S.)
Peak Power (6dB Crest Factor)	400 w (A.E.S.)
Usable Frequency Range -6dB	90 Hz - 7.0 kHz
Sensitivity (1 w - 1 m)	92.5 dB
Moving Mass inc. Air Load	6.5 grams
Minimum Impedance Zmin	7.7 Ω
Effective Piston Diameter	4.2" / 106 mm
Peak Displacement Volume of Cone Vd	0.045 litres
Magnet Weight	26 oz
Magnetic Gap Depth	0.23" / 6 mm
Flux Density	1.42 Tesla
Coil Winding Height	0.315" / 8.0 mm
Voice Coil Diameter	1.5" / 38.1 mm

THIELE SMALL PARAMETERS	
FS Hz	164 Hz
RE Ohms	6.6 Ω
Qms	2.3
Qes	0.715
Qts	0.54
Vas Ltr	1.63
Vd litres	0.045
CMS (mm/N)	0.148
BL T/m	7.92
Mms (grms)	6.8
Xmax (mm)	4.5
Sd (cm ²)	88
Efficiency %	1.03
Le (1k Hz)	1.19 mH

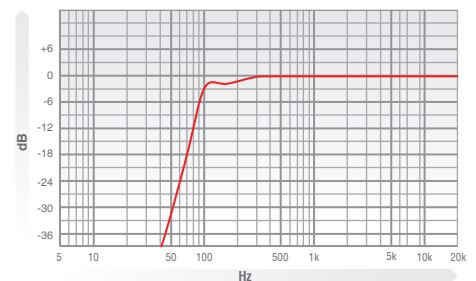
IMPEDANCE



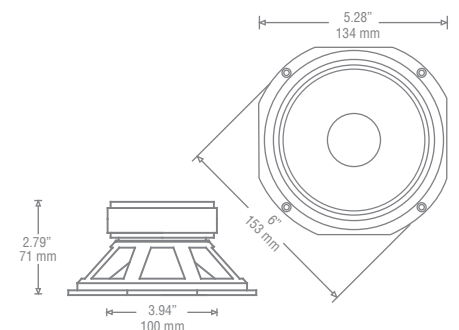
MATERIALS OF CONSTRUCTION	
Former Material	Resin Bonded Glass Fibre
Voice Coil	Polyamid-Imide Coated Copper
Magnet Material	APS Ferrite
Chassis	Die-cast Aluminium
Cone	Paper
Surround / Edge Termination	Polyvinyl Damped Multi Roll Linen
Dust Dome	Paper
Connectors	0.125" Tab/Solder
Polarity	Positive Voltage at Red Terminal Causes forward motion of cone

MOUNTING / SHIPPING INFORMATION	
Overall Diameter	6" / 152.4 mm
Width Across Flats	5.25" / 133.35 mm
Flange Height	0.270" / 6.9 mm
Baffle Hole Diameter F/M	4.63" / 117.5 mm
Baffle Hole Diameter R/M	4.50" / 114.3 mm
Gasket Supplied	Front & Rear
Fixing Holes	4x 0.218" / 5.5 dia x 5.468/138.8 PCD
Depth	2.75" / 70 mm
Weight	3.15 lb / 1.43 kg
Recommended Enclosure Volume	0.7 - 3.0 cu ft / 2 - 10 litres
Shipping Weight	3.65 lb / 1.66 kg
Packing Carton Dimensions	156 x 102 x 143 mm

PREDICTED BASS RESPONSE



** Normalized bass response in 5 litre tuned to 100Hz



- Please enquire about alternative impedances.
- A.E.S. power handling test. Pink noise bandpass filtered at 12 dB per octave with cutoff frequencies of 50 Hz and 500 Hz. Driver mounted in free air, test signal applied at rated power for two hours.
- Please note that the frequency response measurements are supplied for comparison only and are not a measure of the low frequency performance which may be achieved in a fully optimised system.