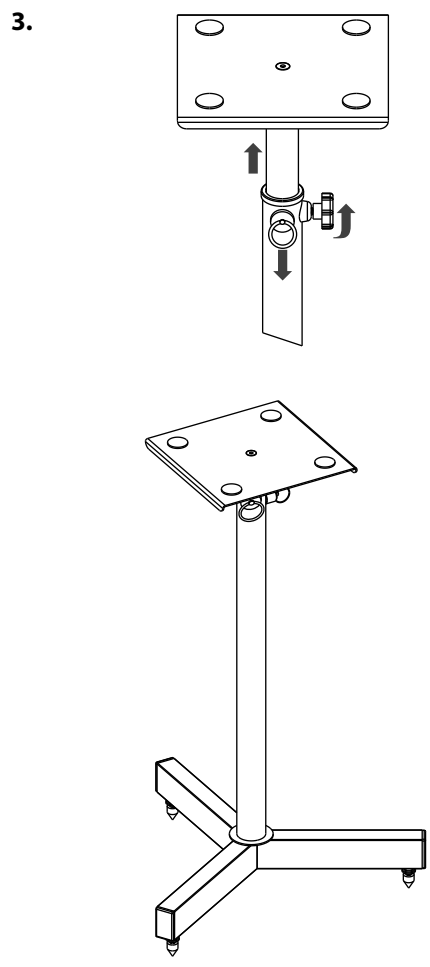


- Stable monitor stand
 - Tripod design
 - Adjustable height with locking pin and safety screw
 - Adjustable pads and spikes to compensate floor unevenness
- Dimensions:**
 Height: 740 - 1140 mm (29.13 - 44.88 inches)
 Dimensions of the support surface:
 230 × 230 mm (9.05 × 9.05 inches)
 Leg length of each foot: 26 cm (10.24 inches)
- Maximum load up to 30 kg (66.14 lbs)
 Weight: 4.5 kg (9.92 lbs)
 Material: steel
 Colour: black



This product is used for stable fixing and height-adjustable installation of loudspeaker cabinets. Use the product only as described in this user manual. Any other use or use under other operating conditions is considered to be improper and may result in personal injury or property damage. No liability will be assumed for damages resulting from improper use.



Ensure that plastic bags, packaging, etc. are properly disposed of and are not in the reach of babies and young children. Choking hazard!



For the packaging, environmentally friendly materials have been chosen that can be supplied to normal recycling. Ensure that plastic bags, packaging, etc. are properly disposed of. Do not just dispose these materials with your normal household waste, but make sure that they are fed to a recovery. Please follow the notes and markings on the packaging.