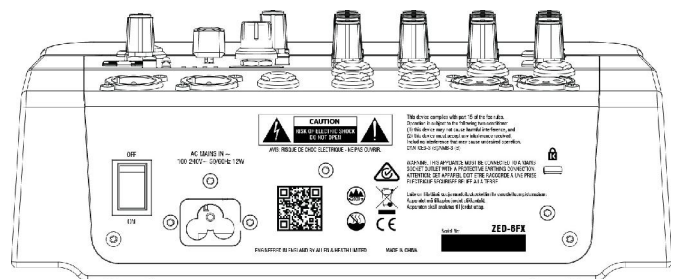
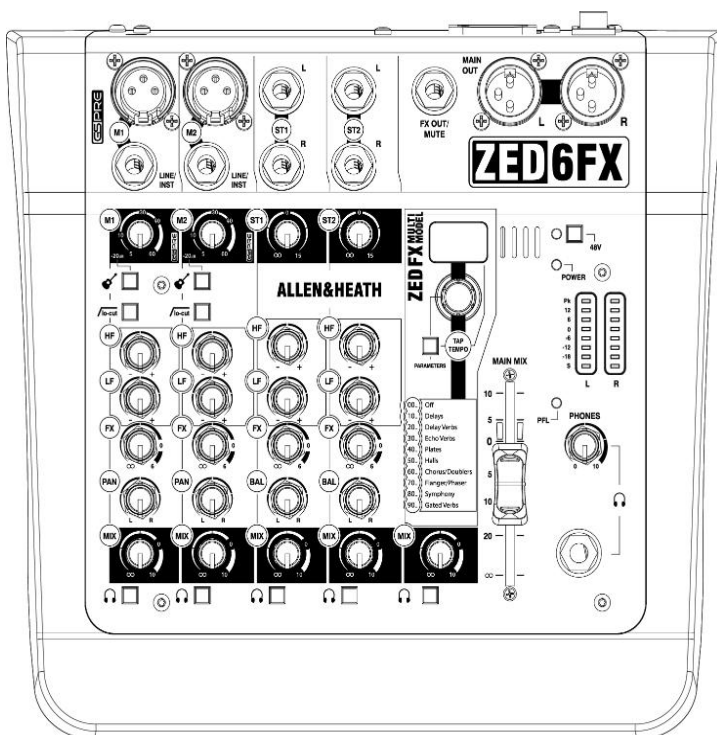


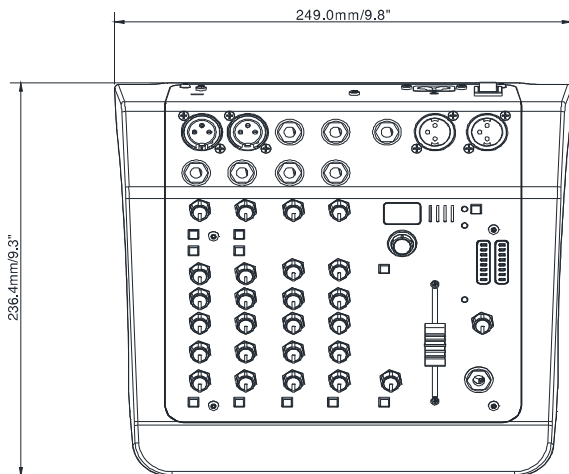
Technical Datasheet

Overview

- 2 x Mic/Line Inputs with GS Preamps.
- Global 48V Phantom power.
- 2 x Switchable Hi-Z Input.
- 2 x Stereo Line Inputs.
- Internal FX Processing on all channels.
- Headphone Output.
- Hi-Pass filter on microphone inputs.
- HF & LF EQ adjustable pots on all channels.
- PFL select to headphone output.



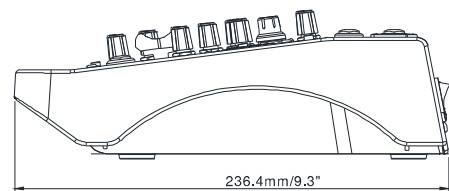
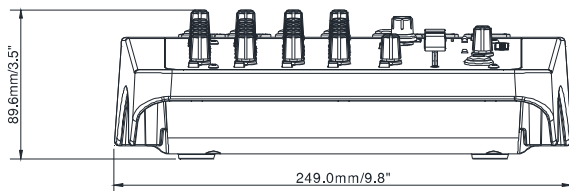
Dimensions



HEIGHT: 88.9mm (3.5")

WIDTH: 249mm (9.8")

DEPTH: 236.4mm (9.3")



A&E Specifications

The mixer shall be a compact and portable analog mixer with two mono and two stereo input channels mixing to a stereo Main Mix output. The mixer shall weigh no more than 1.36kg (3lbs).

Each mono input channel shall have an XLR Microphone connector and Line level quarter-inch jack connector and shall be equipped with High Pass Filter and 2-band equaliser circuit

Stereo input channels shall use quarter-inch jack connectors, and shall have a fixed 2-band EQ.

All XLR Microphone inputs shall have the ability to power Condenser Microphones requiring 48 Volt Phantom Power. This shall be switchable and have a red LED to indicate activation.

There shall be two high-impedance jack inputs on mono channels, which can handle a normal line level or a low level input directly from a guitar pickup, allowing instruments such as guitars to be plugged straight into the mixer without the need for a DI box.

XLR Mic input characteristics shall conform to a Gain Min/Max of 6dB to 60dB with a maximum Input Level of 13dBu.

Quarter-inch jack Line input characteristics shall conform to a Gain Min/Max of -14dB to 40dB with a maximum Input Level of 18dBu.

The mixer shall have on-board effects which can be independently applied to each input channel. In addition there shall be an effects out on a quarter-inch jack connector.

The mixer surface shall include independent rotary control for each input channels gain, level and mix. Each channel should have individual Pan control and a [PFL] switch to route to the headphone output. An LED shall indicate when a [PFL] channel is active.

The Headphone output should use a quarter-inch jack connector with a rotary to control output level.

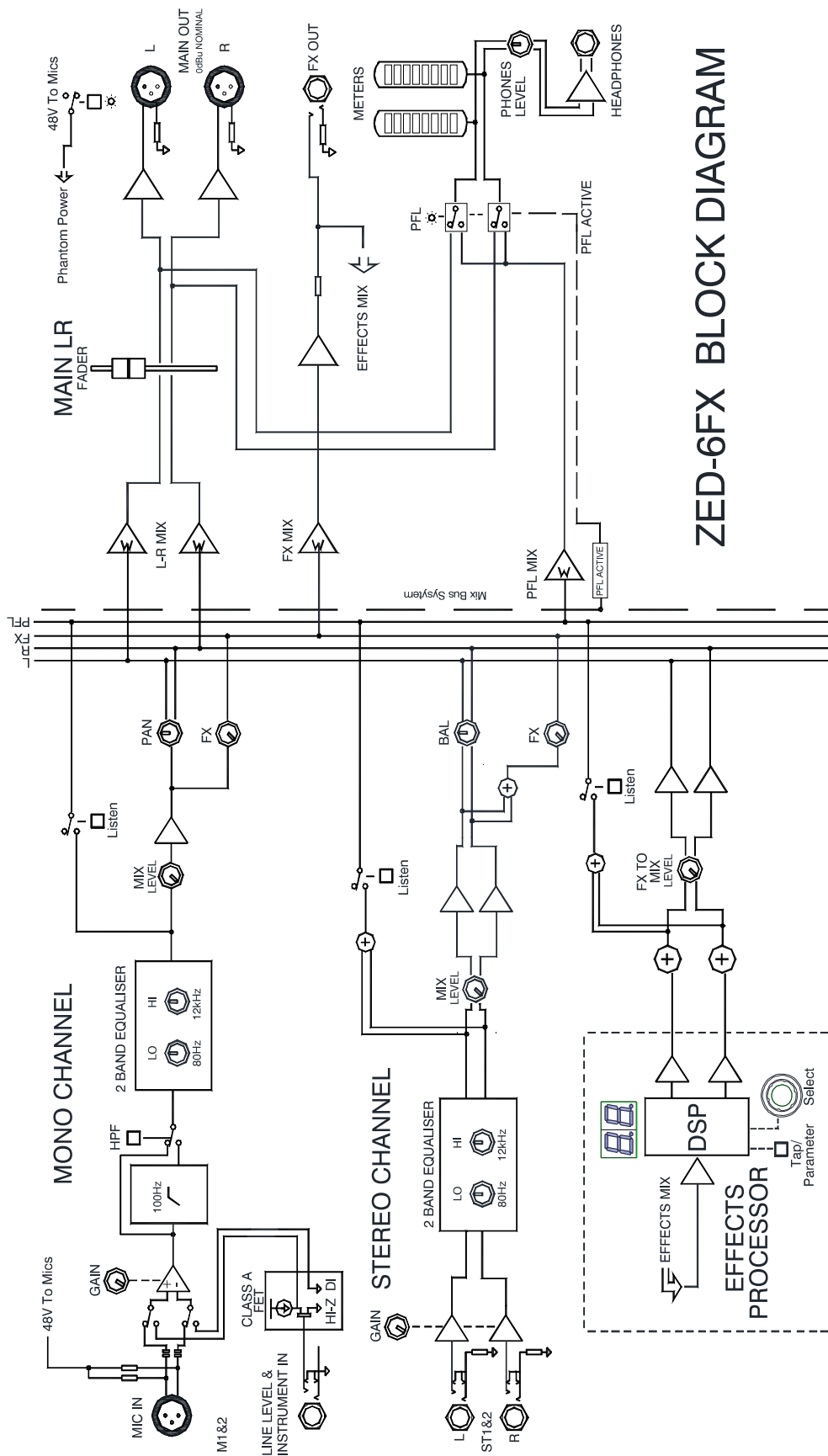
The L&R outputs shall have XLR connectors and will be controlled via a mix output fader. Level indication shall be via a stereo eight segment LED display.

It shall have a built in power supply accepting AC mains voltages of 100~240V, 50/60 Hz, 12W max via an earthed 3-pin IEC C6 male connector mounted on the rear chassis.

A switch shall be provided near the mains inlet to isolate the mixer from the incoming mains supply.

Recommended operating temperature for the mixer shall be 5 to 35 degrees Celsius.

The unit shall be the Allen & Heath ZED6FX.



ZED-6FX BLOCK DIAGRAM

Mixer Specification

| Model | ZED-6 | ZED-6FX | ZEDi-8 | ZEDi-10 | ZEDi-10FX |
|------------------------------|--|---|---|---|---|
| Type | Analog | Analog | Analog | Analog | Analog |
| Channels | 6 | 6 | 8 | 10 | 10 |
| Inputs - Mic Preamps | 2 x XLR | 2 x XLR | 2 x XLR | 4 x XLR | 4 x XLR |
| Inputs - Line | 2 x TRS (CH 1- 2) 4 x TRS (CH 3-4 ST) | 2 x TRS (CH 1-2) 4 x TRS (CH 3-4 ST) | 2 x TRS (CH 1-2) 4 x TRS (CH 3-4 ST) | 4 x TRS (CH 1-4) 4 x TRS (CH 5-6 ST) | 4 x TRS (CH 1-4) 4 x TRS (CH 5-6 ST) |
| Outputs - Main | 2 x XLR (Main) | 2 x XLR (Main) | 2 x XLR (Main) | 2 x XLR (Main) | 2 x XLR (Main) |
| Outputs - Other | - | - | - | 2 x RCA (Monitor) | 2 x RCA (Monitor) |
| Headphones | 1 x 1/4" | 1 x 1/4" | 1 x 1/4" | 1 x 1/4" | 1 x 1/4" |
| Send/Return I/O | - | 1 x 1/4" (FX) | USB | 2 x 1/4" (1x AUX, 1x FX) | 2 x 1/4" (1x AUX, 1x FX) |
| Phantom Power | 2 | 2 | 2 | 4 | 4 |
| EQ Bands | 2-band, (CH 1-2) 2-band (CH 3-4 ST) | 2-band, (CH 1-2) 2-band (CH 3-4 ST) | 2-band, (CH 1-2) 2- band (CH 3-4 ST) | 3-band (CH 1-4) 2-band (CH 5 ST) | 3-band (CH 1-4) 2-band (CH 5 ST) |
| Aux / FX Sends | - | 1 x Post (Per Channel) | - | 1 x Pre, 1 x Post (Per Channel) | 1 x Pre, 1 x Post (Per Channel) |
| Busses/Groups | Stereo Bus | Stereo Bus | Stereo Bus | Stereo Bus | Stereo Bus |
| Channel Inserts | - | - | - | - | - |
| Effects | - | Yes | - | - | Yes |
| Computer Connectivity | - | - | 1 x USB | 1 x USB | 1 x USB |
| Rack-mountable | No | No | No | No | No |
| Height | 3.5" | 3.5" | 3.5" | 3.8" | 3.8" |
| Width | 9.8" | 9.8" | 9.8" | 13.1" | 13.1" |
| Depth | 9.3" | 9.3" | 9.3" | 10.8" | 10.8" |
| Weight | 2.8 lbs. | 3 lbs. | 3 lbs. | 4.85 lbs. | 5.1 lbs. |

