



Multifunctional high-end loudspeaker system with 12"/ 1.4" Nd-drivers and a rotatable 90°x 60° horn. High output and speech intelligibility combined with low weight and compact size make it a very popular system. The TSM 12 is optimised for monitor applications, however it is equally suited to classic full range sound reinforcement applications, and can be mounted vertically or horizontally.

PRODUCT SPECIFICATIONS

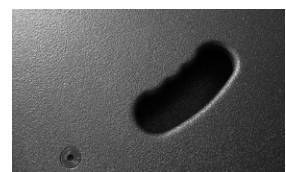
Speaker Components	12" Nd / 1.4" Nd
Description	Multi Purpose Sound System
Power AES / Peak	600 W / 1800 W
Impedance nominal	8 Ω
SPL 1 W / Peak @ 1 m	98 dB / 131 dB
Usable Range - 6 dB	50 Hz - 19 kHz
Tuning Frequency excursion minimum	54 Hz
X - Overpoint acoustical	850 Hz
Coverage horizontal / vertical	90° x 60° - rotatable
Max. Splay Angle	- - -
Connectors	2 x Neutrik Speakon NL4MP in/out Coding: 1 +/- HiMid, 2 +/- loop thru
Handles	1 x
Rigging / Fittings	2 x M10 / 7 x M8 35 mm pole mount
Weight	21,0 kg
Size height x width x depth	60,6 x 36,0 x 33,7 cm
Order No.	00958



Generously dimensioned bass reflex tunnel provides bass response that is exceptional for this class.

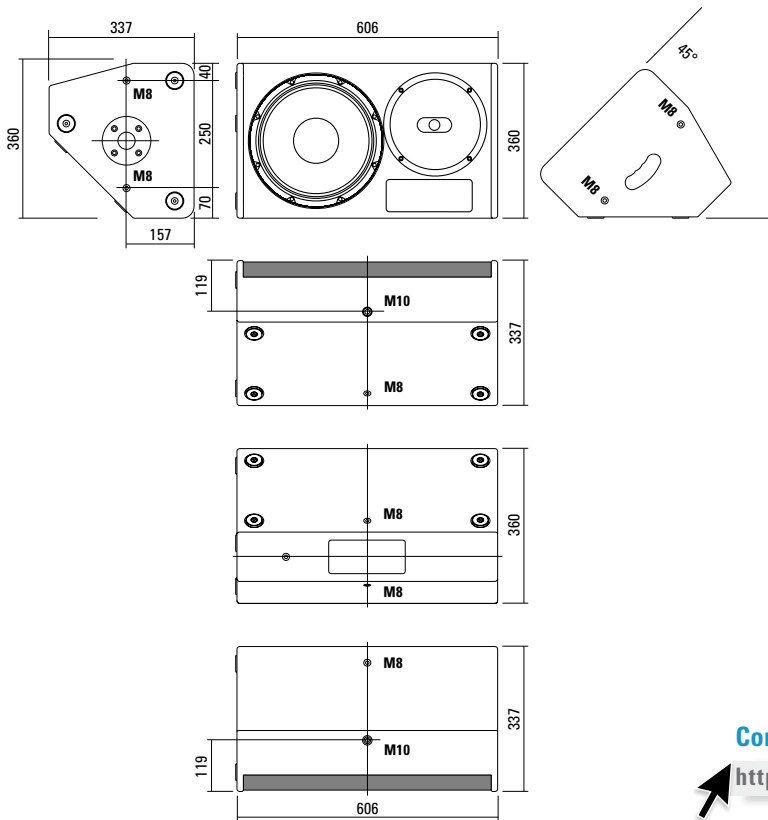


The 1.4" Neodymium driver and fiberglass horn provide high grade acoustic precision.



Ergonomic handle on the top surface. A total of two M10 and seven M8 flying points can be utilised for mounting the extensive accessories.

DIMENSIONS

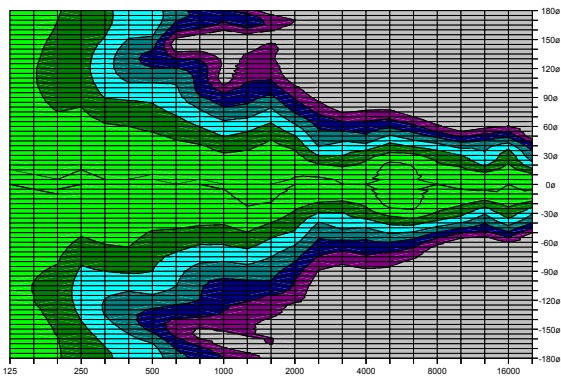


Controller Setups are available on our website:

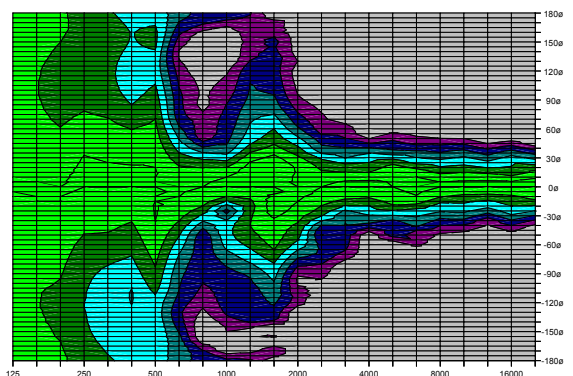
<http://www.seeburg.net/downloads.php>

COVERAGE PATTERNS

2D Directivity Plot - 90°x 60°horizontal



2D Directivity Plot - 90°x 60°vertikal



Flying Bracket



for TSM 12 / A 6
incl. screws
(per unit: 2 pcs. M10 x 30 adjustable
handle screws)
Order No. **01216/set**

Flying Bracket



for TSM 12 / A 6, horizontal alignment,
incl. screws (per unit: 2 pcs. adapters,
M10 hex lock nuts, flat- and rubber
washers)
Order No. **01216/H/set**

Handle Screw



for flying brackets, adjustable
M10 x 30
Order No. **08375/30**

Ergostyle Lobe Knob



for flying brackets, M10 x20,
with grip, adjustable
Order No. **08171**

Flange



for flying brackets,
35 mm Ø → M10,
Order No. **08126**

Rubber Washer



for flying brackets,
40 mm
Order No. **01205**

Doughty Trigger Clamp



for flying brackets,
SWL 200 kg
Order No. **01222**

Steel Safety Cable



4 mm - 50 cm
Order No. **01376**

Chain Fastener



VBS 7 mm
Order No. **01378**

Ring Screw



M10- DIN 580,
black zinced
Order No. **73700**

TV Spigot



10 mm internal thread,
28 mm Ø
Order No. **08128**

ACCESSORIES TSM 12

Wall Mount



for U-brackets, 40 kg max., incl. screws (M10 x 70 mm socket head screw, M10 hex lock nut and flat washer)

for 8"-12" speakers
Order No. **08130/F/269**

Wall Mount



with tilt unit, 40 kg max.
Order No. **08130**

Speaker Stand



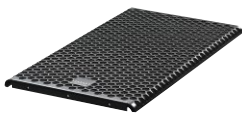
Incl. wind up, 50 kg max., height 129 to 204 cm, K&M

Order No. **03011**

50 kg max., K&M

Order No. **03010**

Front Grille



for TSM 12,
front grille version,
foam behind

Order No. **97073/hex/compl.**

Cover



for TSM 12 / A 6,
padded

Order No. **01244**

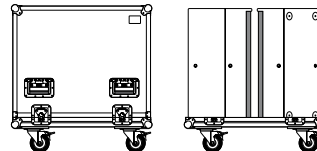
Rain Cover



for TSM 12 / A 6

Order No. **01244/outdoor**

Flight Case



für 2 pcs. TSM 12 / A 6
heavy duty, 6,5 mm birch multiplex,
PVC coated, ball corners, 6 pcs re-
cessed sprung handles, 4 pcs. butterfly
catches, 100 mm blue wheels, 2 pcs.
with brake, interior lined with felt.

Order No. **16010**



Front Grille version.